



heatilator®

The first name in fireplaces



Gas Inserts

For Fireplaces

Gas Inserts

For Fireplaces



upgrades in value & dependability

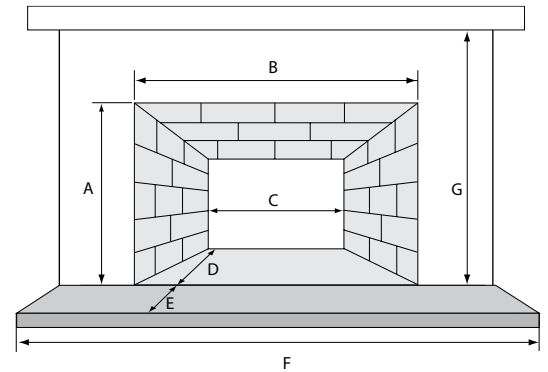
Revive an old or dated masonry fireplace with a Heatilator gas fireplace insert. These energy-efficient units fit directly inside of existing fireplaces and provide dramatic upgrades in style, performance and safety. Installation is simple and can be done by a certified professional in less than four hours. Enjoy your fireplace once again. Embrace the value and dependability of Heatilator gas fireplace inserts.

A New Fireplace Insert in Four Easy Steps

Step 1 Measure your existing fireplace

The height, width and depth of the existing fireplace opening is needed to ensure an appropriately-sized insert is selected.

- A. Fireplace opening height _____
- B. Fireplace opening width _____
- C. Fireplace back width _____
- D. Fireplace depth _____
- E. Hearth depth _____
- F. Hearth width _____
- G. Hearth to mantel height _____



Step 2 Select Your Insert

Selecting an insert consists of two main factors. Keep these in mind and you're sure to make a solid choice

- Consider the size of your existing fireplace opening. Try and fill that space.
- Consider how your insert will be used. Room size, heating needs and usage frequency all come into play.



NDI30

- 30" viewing area
- Up to 32,000 BTUs
- 6 oak-style logs
- Ideal for smaller firebox openings



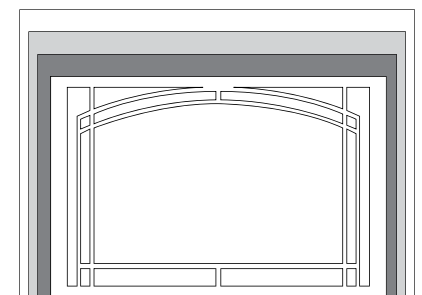
NDI35

- 35" viewing area
- Up to 35,000 BTUs
- 6 oak-style logs
- Ideal for larger firebox openings

Step 3 Choose your surround

Surrounds eliminate the gap between the fireplace insert and existing fireplace opening. Choose from numerous sizes and styles for a unique look. Three surround sizes are available, in black or new bronze.

SURROUND	NDI35	NDI30
Small	42" x 29"	40" x 27"
Medium	44" x 32"	42" x 30"
Large	48" x 32"	44" x 32"



- Small Surround
- Medium Surround
- Large Surround

Step 4 Customize Your Insert

Select options to complete your look.

Fronts



Firescreen



Firescreen 2

Finishes



Black



Bronze

Refractory Upgrade



Steel Refractory Kit

Cover: NDI30 shown with Firescreen in black.

Left: NDI35 shown with Firescreen 2 in black and steel refractory kit.



Optional Remote Controls



Enjoy an added level of function and convenience in a remote control.

Features: battery-powered or hardwired receiver, timer mode, thermostat mode, room temperature readout, on/off.

Optional Fan Kit

A fan kit distributes warmth for heat where you want it, using circulating technology pioneered by Heatilator.

Termination Caps

A termination cap finishes your gas insert with a clean, upscale look. And, these durable caps also protect venting components and ensure safe exhaust flow.



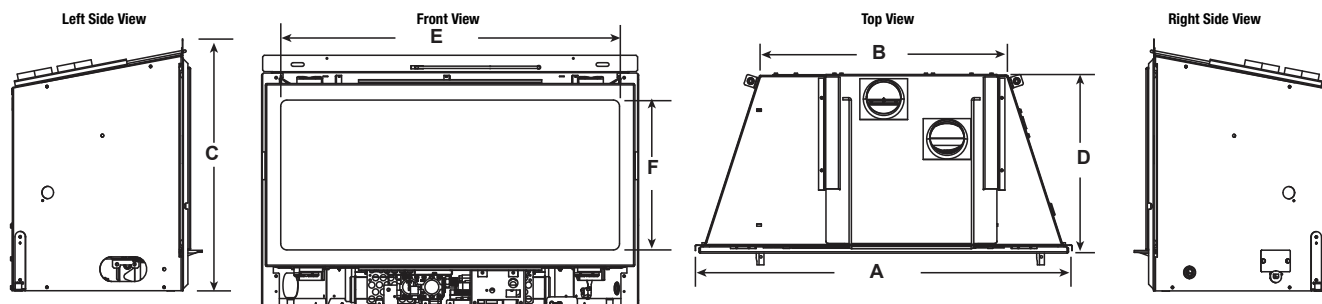
Round Termination Cap



Square Termination Cap - Available in black or copper finish

Technical Specifications

MODEL	FRONT WIDTH (A)		BACK WIDTH (B)		HEIGHT (C)		DEPTH (D)		VIEWING AREA (E X F)	BTU/HR INPUT
	UNIT	MINIMUM FIREBOX OPENING	UNIT	MINIMUM FIREBOX OPENING	UNIT	MINIMUM FIREBOX OPENING	UNIT	MINIMUM FIREBOX OPENING		
NDI35	34-5/8	35-1/8 (std. surround)	23-7/16	24	24-1/16	24-3/8 (std. surround)	15-11/16	16 (std. surround)	31-5/8 x 15-11/16	35,000 - 18,500
		33-1/2 (deep surround)				23 (deep surround)		15-1/8 (deep surround)		
NDI30	30-5/8	31-1/8 (std. surround)	20-3/16	20-3/4	20-7/16	20-3/4 (std. surround)	14-5/8	14-7/8 (std. surround)	27-1/2 x 12-3/16	32,000 - 18,000
		29-1/2 (deep surround)				19-3/8 (deep surround)		14 (deep surround)		



Models Available

MODEL	BTU/HR INPUT(NG)	OPENING SIZE	VENTING	IGNITION SYSTEM	FUEL
NDI35	18,500 - 35,000	33-3/16 x 22-9/16	Direct Vent	IntelliFire or Standing Pilot	NG (standard) / LP*
NDI30	18,000 - 32,000	29-1/16 x 19-1/16	Direct Vent	IntelliFire or Standing Pilot	NG (standard) / LP*

*Order a conversion kit when using LP

EnerGuide (CSA P.4.1-15) Ratings

Used in Canada and some U.S. states to measure annual fireplace efficiency.

NDI30	NDI35
72.7%	72.2%

Available from

heatilator
The first name in fireplaces

800-927-6841 | heatilator.com
[facebook.com/Heatilator](https://www.facebook.com/Heatilator)
twitter.com/Heatilator
[youtube.com/HeatilatorFireplaces](https://www.youtube.com/HeatilatorFireplaces)

Limited Lifetime Warranty²

The strongest in the industry, Heatilator provides a limited lifetime warranty on gas-burning products of the most important aspects: firebox and heat exchanger.

The information provided in this literature is for planning purposes only and subject to change. Please consult the installation manual for actual installation. Actual product appearance may differ from product images.

² For full warranty details go to heatilator.com.

HTL-1060U-0718

