



heatilator®

The first name in fireplaces



Constitution

EPA Phase II Compliant Wood-Burning Fireplace

Enjoy intense, efficient fires in any environment. This wood-burning powerhouse exceeds the strictest environmental standards in the nation. Proven technology delivers precision start-up and air control for clean, consistent burns and extended performance. Relax and let the Constitution blaze.



Above and Cover: Constitution shown standard.

Features

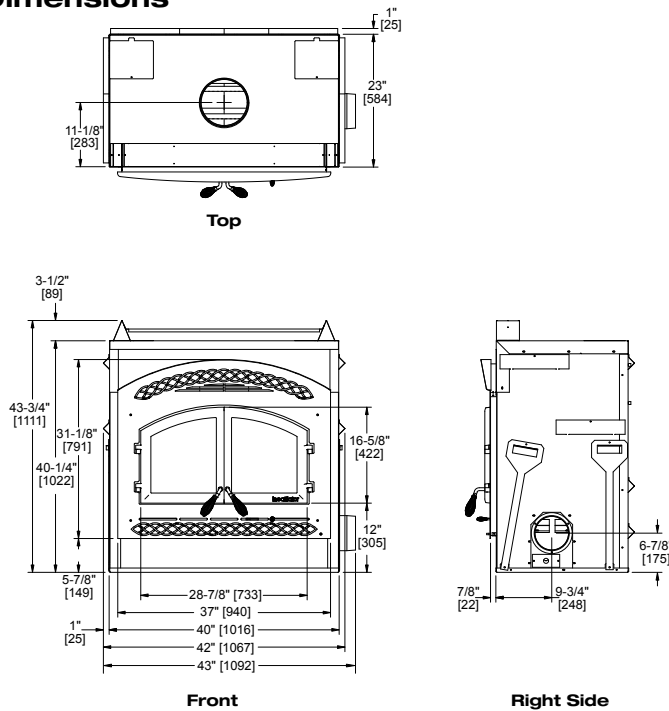
- 74,900 BTUs¹ — heats 1,000 to 2,600 sq ft²
- 2.7 cu ft interior capacity / 24" maximum log length
- Up to ten hours of burn time from each load of wood
- Dual 140 CFM fans

Options

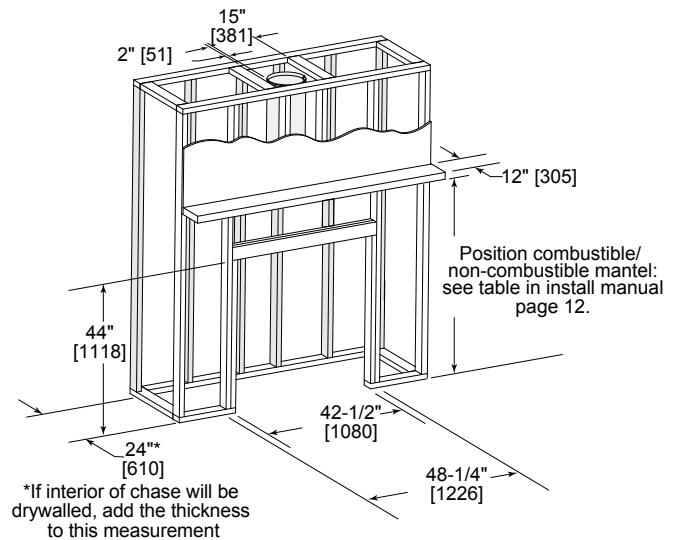
- Fire screen
- Heat distribution kit
- Hearth extension³
- Lintel bar

Specifications

Dimensions



Framing Dimensions



Available from

heatilator
The first name in fireplaces

800-927-6841 | heatilator.com
[facebook.com/Heatilator](https://www.facebook.com/Heatilator)
twitter.com/Heatilator
[youtube.com/HeatilatorFireplaces](https://www.youtube.com/HeatilatorFireplaces)

HTL-1025U-0317



Limited Lifetime Warranty⁴

The strongest in the industry, Heatilator provides a limited lifetime warranty on wood-burning products of the most important aspects: firebox and heat exchanger.

¹ BTU: 1st hour output uses high burn efficiency number.

² See your local authorized Heatilator dealer for help in determining the product that best suits your heating needs based on climate and home efficiency.

³ Required for installation

⁴ For full warranty details go to heatilator.com.

The information provided in this literature is for planning purposes only and subject to change. Please consult the installation manual for actual installation. Actual product appearance may differ from product images. Fireplace glass and other surfaces get extremely HOT and can cause severe burns if touched. Keep a safe distance away. To learn more visit www.heatilator.com/fireplacesafety.