



DESIGNED | to inspire

SL-36-ULTIMATE

Direct Vent Gas Fireplace

SL-36-ULTIMATE

Best flame and highest efficiency
in a premium, slim firebox.

Luxury performance in a slim model. That's the SL-36-Ultimate. It delivers the industry's most beautiful flame, plus high heat and efficiency, in a slim firebox packed with premium features.



Cover photo: SL-36-Ultimate shown with Galleria front in black.
Top photo: SL-36-Ultimate shown with Halston front in black and Avalon cast mantel.



PREMIUM SLIM FIREBOX

At a slim depth of 16-1/4", the firebox is loaded with premium features like accent lighting, adjustable fan, IntelliSwitch Multifunction Wall Control and much more. SL-36-Ultimate shown above with Galleria front in black.



BEST FLAME AND HIGH EFFICIENCY

Our patented Mystifire® burner and FireBrick® firebox combine to create the most robust and realistic flame available. And, it delivers furnace-level heat with an AFUE efficiency of 70% and a thermal steady state of 82%.

SL-36-ULTIMATE FEATURES

- FireBrick firebox hand-painted in Stratford color
- Mystifire burner
- Patented accent lighting adds year-round ambience with or without the fire.
- Premium multifunction wall control (WSK-MLT)
- Adjustable fan and heat
- Energy-saving, green-friendly IntelliFire ignition system
- Selection of fronts, operable doors and cast stone surrounds
- Heat Zone® options

INTELLIFIRE™

Our exclusive, state-of-the-art IntelliFire ignition system reduces gas consumption and thermogenerator wear by providing a pilot flame only when needed. It also supplies a back-up battery system to run the fireplace during a power outage.

FIREBRICK®

FireBrick technology provides the warmth and glow of a real wood burning fire. Our patented Firebrick technology uses heat and compression to seamlessly mold ceramic fiber material into uniquely shaped fireboxes with authentic brick patterns. FireBrick technology resists rust and corrosion on the interior of the firebox and eliminates noise associated with the heating and cooling of metal. FireBrick technology also generates, retains, and radiates significantly more heat into the room than a metal fireplace. All Heat & Glo products featuring FireBrick technology are AFUE*rated, energy-efficient, and offer an airtight seal, for peace of mind and comfort.

DECORATIVE FRONTS AND DOORS

Customize with one of these fronts or doors, each available in Black, Graphite or New Bronze.



Chateau Deluxe Front



Galleria Doors



Halston Doors



Black



Graphite

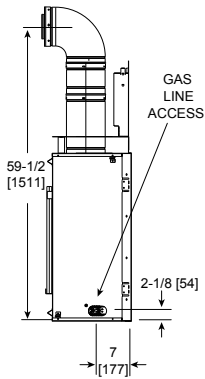


New Bronze

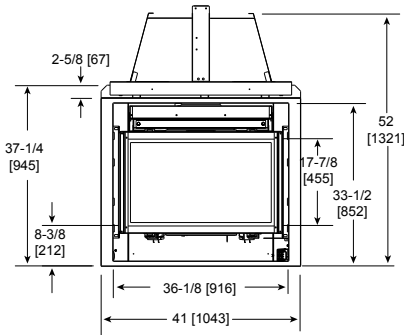
SL-36-ULTIMATE SPECIFICATIONS

| MODEL | FRONT WIDTH | | BACK WIDTH | | HEIGHT | | DEPTH | | VIEWING AREA | BTU/HOUR INPUT |
|----------------|-------------|---------|------------|---------|--------|---------|--------|---------|--------------|--|
| | UNIT | FRAMING | UNIT | FRAMING | UNIT | FRAMING | UNIT | FRAMING | | |
| SL-36-ULTIMATE | 41 | 41-1/2 | 31-3/8 | 41-1/2 | 52 | 52 | 16-1/4 | 17-1/4 | 35 x 24-1/2 | 26,000-37,000 (NG) 26,000-36,000 (LP) |

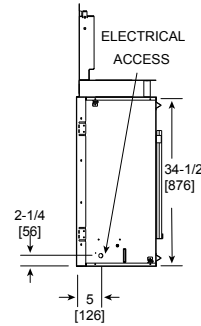
LEFT SIDE VIEW



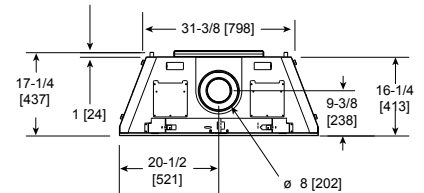
FRONT VIEW



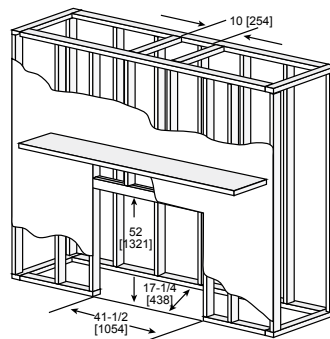
RIGHT SIDE VIEW



TOP VIEW



FRAMING



Dimensions above are in inches. Reference dimensions only. We recommend measuring individual units at installation. Assumes the use of 1/2" Sheetrock. NOTE: Non-combustible material is allowed over this dimension. Make sure you do NOT cover the decorative door opening.

Refer to installation manual for detailed specifications on installing this product. Heat & Glo reserves the right to update units periodically. Actual product appearance, including flame, may differ from product images.

U.S. EFFICIENCIES

Steady State - Since most homeowners use their fireplaces for an extended time while they are in the room, Steady State measures how efficiently your fireplace converts fuel to heat once it is warmed up and running in a "steady state".

AFUE - AFUE rating is more typically used with appliances, like your furnace, that continually cycle on and off to maintain a constant temperature.

| RATING | SL-36-ULTIMATE |
|---------------------|----------------|
| Steady State | 82% |
| AFUE | 70% |

CANADA EFFICIENCIES

EnerGuide (CSAP.4.1.-02) - EnerGuide is a rating used in Canada to measure annual fireplace efficiency.

| RATING | SL-36-ULTIMATE |
|--------------------------|----------------|
| EnerGuide (CSA P.4.1-02) | 72% |

For complete information on this model, please contact us at:

HEAT & GLO
No one builds a better fire

A brand of Hearth & Home Technologies Inc.*
7571 215th Street West, Lakeville, MN 55044
Web: heatnglo.com
Phone: (888) 427-3973 (952) 985-6000
E-mail: info@heatnglo.com

- facebook.com/HeatandGlo
- twitter.com/HeatandGlo
- youtube.com/HeatandGlo

LIMITED LIFETIME WARRANTY*

The strongest in the industry, Heat & Glo provides a limited lifetime warranty on the most important aspects: firebox and heat exchanger.

*For full warranty details, go to www.heatnglo.com.

