



See-Through Fireplace

GDST5244I Direct Vent Gas Fireplace

Shown with FFSTMESH front, beige marble and custom shelf

heatilator
The first name in fireplaces

GDST5244I See-Through, Cast more light, warmth & style!



Shown with Arts & Crafts front, beige marble and custom shelf



Shown standard

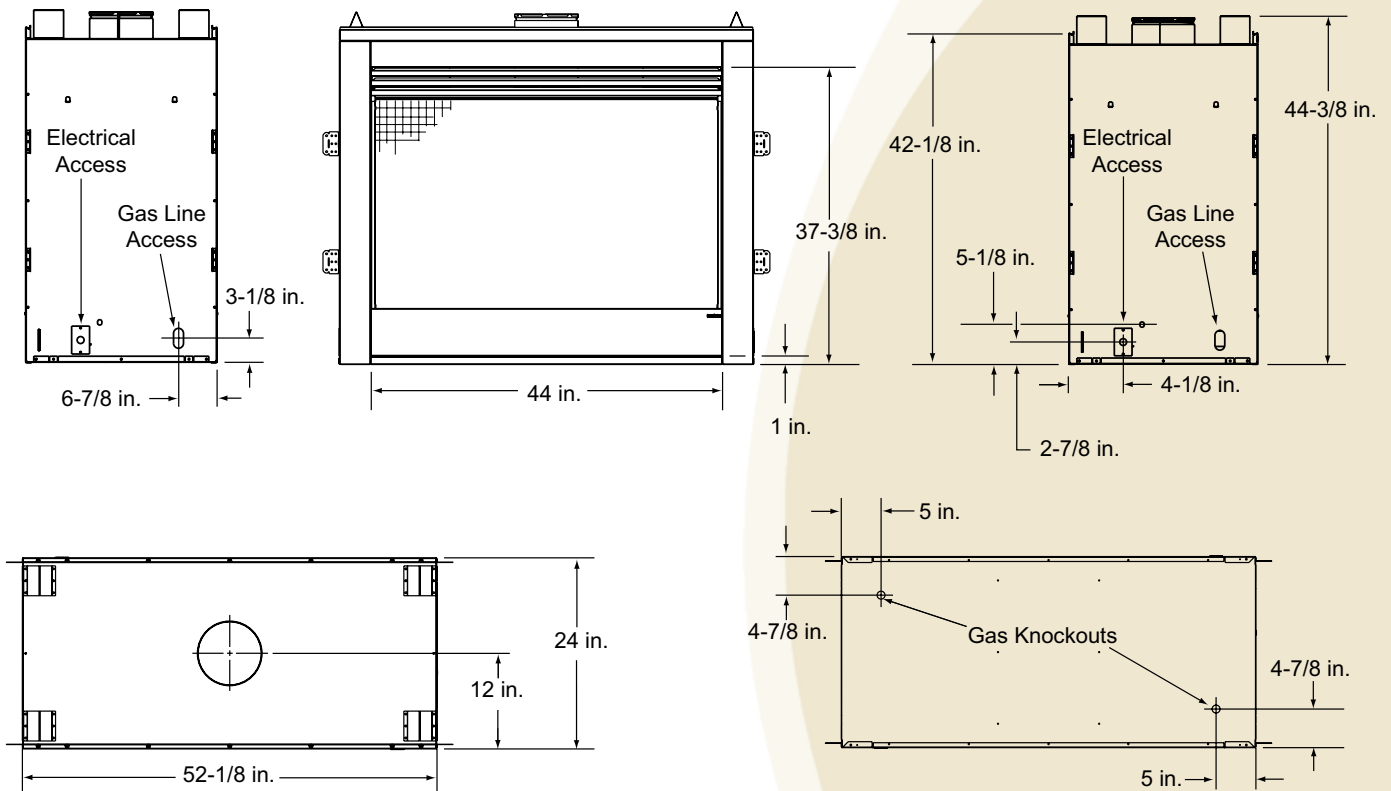
- Unique, two-room, see-through gas fireplace is the largest in the industry
- An incredible design solution to unify two rooms for the cost of just one fireplace
- Choice of three optional fronts lets you mix and match to best suit your personal style
- An optional 160 CFM fan is available for maximizing your fireplace's heat generation
- Traditional-patterned brick refractory adds realism and beauty to your new fireplace
- 11 hand-painted logs, richly detailed and incredibly realistic, capture the look of natural wood
- Unit is available in LP and natural gas
- Variable Flame: 34,000–48,000 Btu/Hour Input (NG)
- Variable Flame: 31,600–43,000 Btu/Hour Input (LP)
- Sealed combustion chamber uses only outside air for combustion, helping to preserve indoor air quality and prevent negative air pressure problems
- Tested and listed to UL Safety Standards
- Limited Lifetime Warranty

IntelliFire™ Ignition System

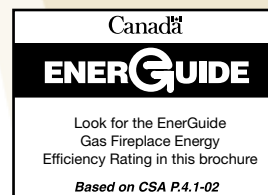
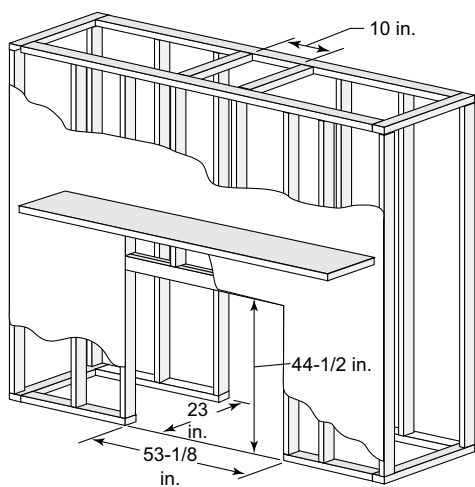
- With IntelliFire, there's no need for a constantly-burning pilot, saving the homeowner from extra expense
- When the fireplace is turned on, the pilot lights first, then ignites the main burner; when the fireplace is not operating, the pilot also shuts down
- The IntelliFire system may be wired for 120V and may operate with two D size batteries (not included) during a power outage

GDST5244I See-Through Technical Specifications

Product Dimensions



Framing Dimensions



Efficiencies*			
Model	Thermal	AFUE	Canadian EnerGuide
GDST5244I	75%	59%	54%
GDST5244IL	80%	62%	54%

*Heating capacity may differ due to climate, building construction, location of the unit, and comfort level desired

Please refer to installation instructions for complete specifications and framing dimensions when installing this product. Go to www.heatilator.com to download.

GDST5244I See-Through Gas Fireplace

Viewing Size	Model No.	Fuel Choices	Venting
44"	GDST5244I/IL	Natural or LP	Direct Vent

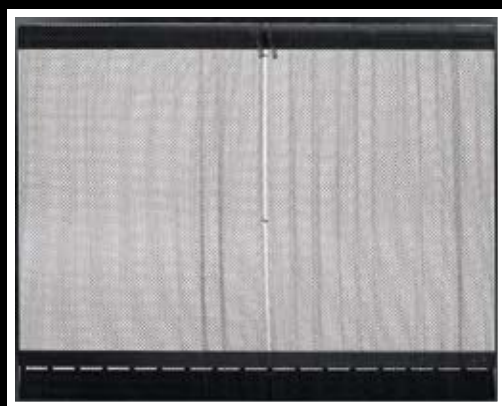
Decorative Fronts*



Modernist
(black & pewter)



Arts & Crafts
(black & pewter)



Mesh
(black)

Options Not Pictured*

Controls
Trim Kit
Fan Kit
Gas Conversion Kit
Mantels & Surrounds

Venting Accessories*

DVP Cinch Pipe

AVAILABLE FROM

heatilator
The first name in fireplaces

a brand of Hearth & Home Technologies Inc.

1915 West Saunders Street • Mt. Pleasant, Iowa 52641

800-927-6841 • heatilator.com

The information provided in this literature is for planning purposes only and subject to change. Please consult the installation manual for actual installation. Actual product appearance may differ from product images. The flame and ember appearance may vary based on the type of fuel burned and venting configuration used. For full warranty details, go to heatilator.com

*Please consult the MSRP book for a complete list of models and optional accessories.