



Eclipse

Direct Vent System



heatilator[®]
The first name in fireplaces

Eclipse Direct Vent System

The best-valued hearth system in the industry.

- The Eclipse is competitively priced in its category so it can now be included as standard—even in floor plans that previously couldn't afford one
- The Eclipse creates a great opportunity to sell a second fireplace in a home design
- Top direct-vent system only
- 20,000 Btu/Hour input for comfortable heat output
- Direct vent system uses only outside air for combustion and vents outside for better indoor air quality and a healthy home
- Optional fan available
- Comes standard in natural gas or LP models
- Models available in both standing pilot and IntelliFire™ ignition systems
- Utilizes SLP venting components
- Tested and listed to ANSI standards
- Limited Lifetime Warranty**



Eclipse Direct Vent System shown with Wheatfield surround

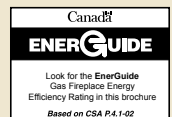
Models

- EDV3633 Standing pilot, natural gas
- EDV3633I IntelliFire ignition, natural gas
- EDV3633IL IntelliFire ignition, LP gas

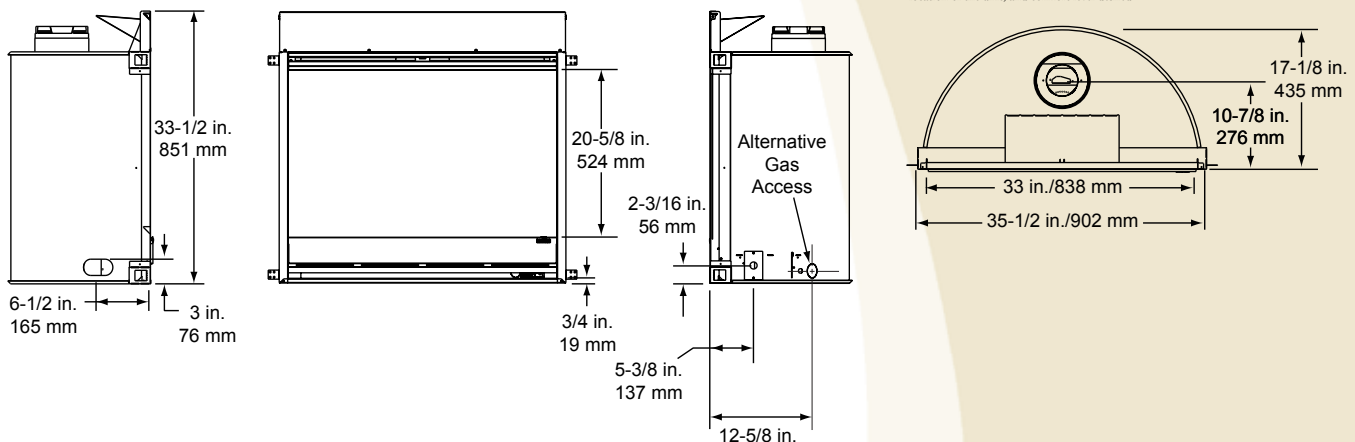
Options*

- Fan Kit
- Conversion Kits
- Remote Controls

Model	Efficiencies***		
	Thermal	AFUE	Canadian EnerGuide
EDV3633	84%	51%	54%
EDV3633I	84%	59%	55%
EDV3633IL	85%	65%	59%



***Heating capacity may differ due to climate, building construction, location of the unit, and comfort level desired



AVAILABLE FROM

heatilator®

The first name in fireplaces

a brand of Hearth & Home Technologies Inc.

1915 West Saunders Street • Mt. Pleasant, Iowa 52641

800-927-6841 • heatilator.com

The information provided in this literature is for planning purposes only. Please consult the installation manual for actual installation. The flame and ember appearance may vary based on the type of fuel burned and venting configuration used. Actual product appearance, including flame, may differ from product images.

*For a complete list of options, please consult the Heatilator MSRP book.

**For full warranty details go to www.heatilator.com.

HTL-1047U-0808