



Discovery II with Slate Tiles

Discover the power and efficiency of the Discovery Series wood stoves. With its Four-Point Burn System, experience maximum heat and a clean burn, while enjoying the convenience of a space-saving wood storage bin and personalized design options. Simplify your experience with Automatic Combustion Control, making operation effortless and efficient.

	Discovery III	Discovery II	Discovery I
Peak BTU/hr Input ¹	61,700	51,000	44,400
Heating Capacity ²	1,100 - 3,000 sq ft	1,000 - 2,600 sq ft	800 - 2,100 sq ft
Maximum Burn Time ³	12 hours	10 hours	7 hours
Efficiency ⁴	80% (LHV) / 74% (HHV)	78% (LHV) / 73% (HHV)	82% (LHV) / 76% (HHV)
Emissions	1.6 g/h	1.9 g/h	1.7 g/h
Firebox	2.3 cu ft	1.9 cu ft	1.48 cu ft
Recommended Log Length	18"	16"	16"
Viewing Area	165 sq in	165 sq in	125 sq in
Actual Weight	360 lbs	339 lbs	285 lbs



Discovery III



Discovery I

Side Panel Options

Customize your Discovery stove with tile panel sides which hold two (Discovery I) or three (Discovery II and III) 12"x12" ceramic tiles, or opt for a truly custom look with a solid, paintable (with high heat paint rated above 300 degrees) side panels.



Without side panels



Painted side panels

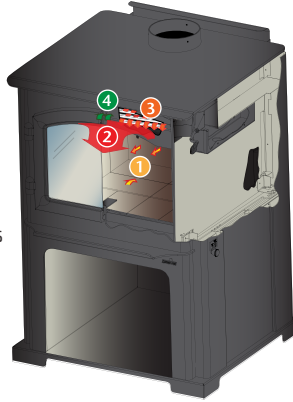


Ceramic tile side panels

EXCLUSIVE TECHNOLOGIES like the patented Four-Point Burn System and Automatic Combustion Control, make it possible to burn wood more effectively, efficiently, and with more control.

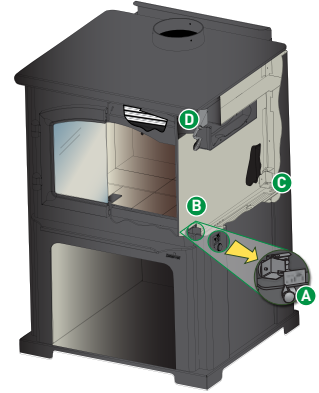
Four-Point Burn System

1. **PRECISION START-UP** Airflow quickly routes to the heart of the fire.
2. **SECONDARY BURN ZONE** Air movement helps create rolling flames and keeps the glass clean.
3. **TERTIARY BURN ZONE** Superheated air ignites flammable gases rising from the wood.
4. **QUATERNARY BURN ZONE** Remaining impurities are burned above the baffle before exiting up the chimney.



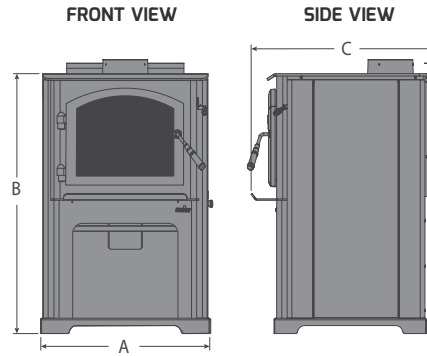
Automatic Combustion Control

- A. **ACTIVATION CONTROL KNOB** Push back and pull forward to activate startup airflow.
- B. **ACC AIR INLET** Controls startup airflow to build the fire.
- C. **ACC TIMER** Opens ACC air inlet during startup for approximately 20 minutes.
- D. **BURN RATE CONTROL** Controls the airflow feeding the fire and also controls your comfort.



SPECIFICATIONS

	A	B	C
DISCOVERY III	27-1/4" (692mm)	38-3/8" (975mm)	28-5/8" (728mm)
DISCOVERY II	25-1/2" (648mm)	38-1/2" (978mm)	26-5/8" (676mm)
DISCOVERY I	24-1/8" (613mm)	33-7/8" (860mm)	26-5/8" (676mm)



OPTIONAL FAN KIT

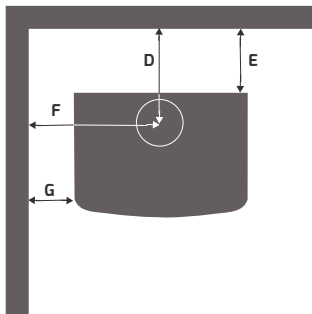


Optional 160 cfm fan kit helps distribute warmth throughout your space

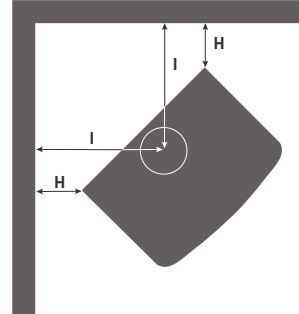
CLEARANCES

		D	E	F	G	H	I	J	Minimum Floor Protection
DISCOVERY III	Single Wall Pipe	18-1/2" (470mm)	11-3/4" (298mm)	27-1/2" (699mm)	14-1/2" (368mm)	10" (254mm)	20-1/2" (521mm)	53-1/2" (1359mm)	31-5/8" x 41" (803mm x 1041mm)
	Double Wall Pipe	12" (305mm)	5-1/4" (133mm)	27-1/2" (699mm)	14-1/2" (368mm)	10" (254mm)	20-1/2" (521mm)	53-1/2" (1359mm)	
DISCOVERY II	Single Wall Pipe	18-1/4" (464mm)	11-3/4" (298mm)	28-1/2" (724mm)	16" (406mm)	8" (203mm)	20" (508mm)	48" (1220mm)	31-5/8" x 39" (803mm x 991mm)
	Double Wall Pipe	13-1/2" (343mm)	6-1/2" (165mm)	25" (635mm)	13" (330mm)	6-1/2" (165mm)	18-1/2" (470mm)	48" (1220mm)	
DISCOVERY I	Single Wall Pipe	17" (432mm)	10" (254mm)	23" (584mm)	11-1/2" (292mm)	8-1/2" (216mm)	20" (508mm)	56" (1422mm)	29-5/8" x 39" (752mm x 991mm)
	Double Wall Pipe	12-1/2" (318mm)	5-1/2" (140mm)	24-1/2" (622mm)	13" (330mm)	7-1/2" (191mm)	19" (483mm)	43" (1092mm)	

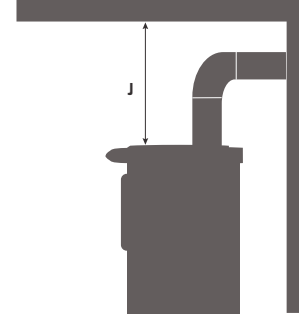
BACK WALL/SIDE WALL



CORNER INSTALLATION



STOVE TO CEILING INSTALLATION



Stove Pipe to Ceiling Clearance

Follow pipe manufacturer's clearances as required

Scan to learn more about our wood stoves



For full warranty details, visit www.forgenflame.com. All Quadra-Fire wood-burning stoves are certified to EPA standards.

1: BTU: 1st hour output uses high burn efficiency number. BTU will vary depending on the type of fuel used and moisture content of the fuel. 2: Heating capacity (in square feet) is a guideline only and may differ due to climate, building construction and condition, amount and quality of insulation, location of the heater, and air movement in the room. 3: Actual burn times will vary based on how the appliance is operated, load size, moisture content and type of wood used, chimney height and installation. 4: Weighted average LHV (Low Heating Value) efficiency. HHV (High Heat Value) efficiency used to qualify products for Tax Credit beginning in 2023.

IMPORTANT - READ BEFORE YOU INSTALL! Refer to the Owner/Installation Manual for complete clearance requirements and specifications. The images and descriptions in this brochure are provided to assist you in product selection only.

Quadra-Fire is a registered trademark of Hearth & Home Technologies. Product specifications and pricing subject to change without notice.

FORGENFLAME.COM

