



heatilator[®]
The first name in fireplaces

Aveo

direct vent gas fireplace

Aveo

direct vent gas fireplace

Cover: Aveo shown standard with custom surround.
Left: Aveo shown with Aveo cabinet in paint-grade MDF.



Compact and Practical, *In Any Space*

A slim, elegant profile makes the Aveo an ideal option for condos, bedrooms, studies and other small spaces. A compact design delivers efficient heating, traditional ambiance and customizable style.

Experience the value and dependability of Heatilator®. Experience the Aveo.

Features

- 28" viewing area
- Less than 12" firebox depth
- Textured brick interior enhances flames and glowing embers
- Multiple venting options for installation flexibility
- Make it your own with multiple fronts, finishes and a fan

IntelliFire™ Ignition System

The IntelliFire™ Ignition System (IPI) is an advanced intermittent pilot ignition system. IPI constantly monitors ignition, ensures safe functioning and conserves up to \$10/month in energy costs.



To learn more, scan the code with your smartphone, or visit heatilator.com.

Direct Vent Technology

Direct Vent fireplaces remove 100% of combustion exhaust and odors outside of the home. These sealed fireplaces provide optimal heat, conserve energy and ensure clean, safe indoor air quality.



To learn more, scan the code with your smartphone, or visit heatilator.com.

Options

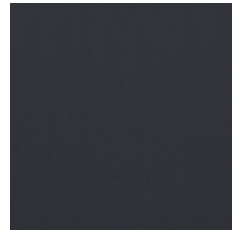
Demi Front Complement the Aveo with a stylish front, available in two finishes.



Demi Front



Bronze



Black

Refractory A black refractory comes standard, or upgrade to a traditional brick pattern.

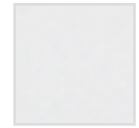


Standard



Upgrade

Cabinet Complete your Aveo with an optional cabinet, available in unfinished oak or paint-grade white MDF.



Paint-grade MDF



Unfinished Oak

Controls Designed to conveniently start your fire with a simple, easy click.



SmartRemote An added level of function and convenience in a remote control. For fireplaces, stoves, inserts, and gas logs with or without line power.

Models: SMARTBATHTL-B, SMART-STAT-HTL

Features: Battery-Powered or Hardwired Receiver, Timer Mode, Thermostat Mode, Room Temperature Readout, On/Off

Additional Options

- Additional remote controls and wall switches
- Fan kit
- Gas conversion kits
- Trim kit
- Mantels and surrounds

Models Available

MODEL	BTU/HOUR INPUT	OPENING SIZE	VENTING	IGNITION SYSTEM	FUEL
ADVT3428I	18,000	28"	Top - Direct Vent	IntelliFire	Natural Gas
ADVT3428IL	15,500	28"	Top - Direct Vent	IntelliFire	Liquid Propane
ADVR3428I	18,000	28"	Rear - Direct Vent	IntelliFire	Natural Gas
ADVR3428IL	15,500	28"	Rear - Direct Vent	IntelliFire	Liquid Propane

U.S. Efficiencies

Steady State - Since most homeowners use their fireplaces for an extended time while they are in the room, Steady State measures how efficiently your fireplace converts fuel to heat once it is warmed up and running in a "steady state".

AFUE - AFUE rating is more typically used with appliances, like your furnace, that continually cycle on and off to maintain a constant temperature.

Rating	ADVR3428I	ADVT3428I
Steady State	73%	79%
AFUE	56%	59%

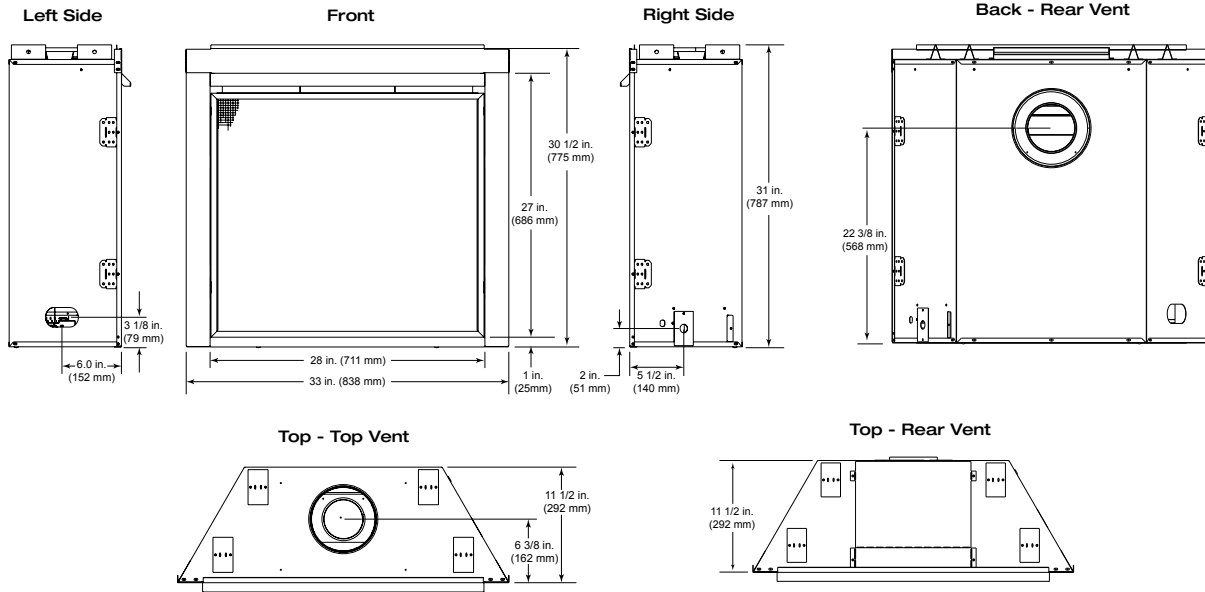
Canada Efficiencies

EnerGuide (CSA P.4.1-02) - EnerGuide is a rating used in Canada to measure annual fireplace efficiency.

Rating	ADVR3428I	ADVT3428I
EnerGuide (CSA P.4.1-02)	56%	61%

Technical Specifications

MODEL	FRONT WIDTH	BACK WIDTH	HEIGHT	DEPTH	VIEWING AREA
ADVT3428, ADVR3428	33" (838mm)	19-3/4" (502mm)	30-1/2" (775mm)	11-1/2" (292mm)	28"w x 27"h (711mm x 686mm)

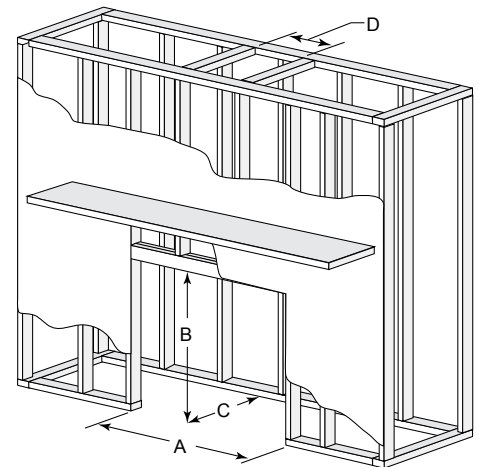
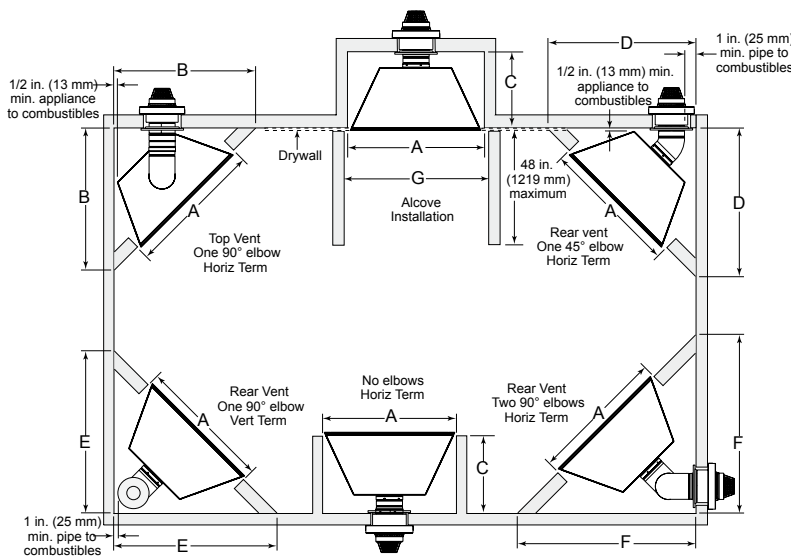


Clearances

MODEL	A	B	C	D	E	F	G
ADVT3428 ADVR3428	33" (838mm)	31-1/4" (794mm)	12" (305mm)	34" (864mm)	36-5/8" (930mm)	44-3/4" (1137mm)	35" (889mm)

Framing

MODEL	A ROUGH OPENING (WIDTH)	B ROUGH OPENING (HEIGHT)	C ROUGH OPENING (DEPTH)	D ROUGH OPENING (DVP PIPE)
ADVT3428 ADVR3428	34" (864mm)	31-1/4" (794mm)	12" (305mm)	10" (254mm)



Available From

heatilator
The first name in fireplaces

a brand of
Hearth & Home Technologies®

1915 West Saunders Street
Mt. Pleasant, Iowa 52641
800-927-6841 | heatilator.com

facebook.com/Heatilator
twitter.com/Heatilator
youtube.com/HeatilatorFireplaces

HTL-1061U-0513

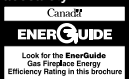
Limited Lifetime Warranty*

The strongest in the industry, Heatilator provides a limited lifetime warranty on gas-burning products of the most important aspects: firebox and heat exchanger.

The information provided in this literature is for planning purposes only and subject to change. Please consult the installation manual for actual installation. Actual product appearance may differ from product images.

*For full warranty details go to heatilator.com.

Fireplace glass and other surfaces get extremely HOT and can cause burns if touched. Do not remove the protective safety screen from the front of the glass. Keep a safe distance away. To learn more visit www.heatilator.com/fireplacesafety



Look for the EnerGuide Gas Fireplace Energy Efficiency Rating in this brochure

Based on CSA P4.1-02