

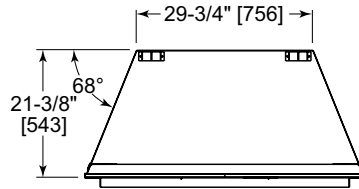


Please consult the manufacturer's installation manual for all details and requirements before making a final design layout decision.

Villa Gas 42

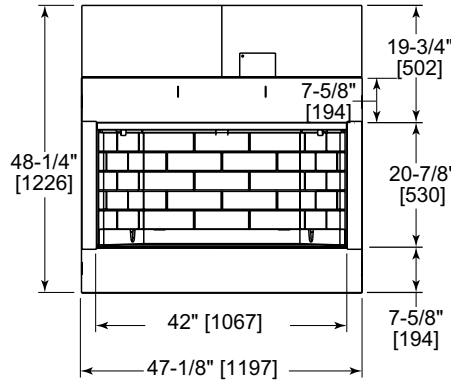
Outdoor Gas Fireplace

| MODEL | FRONT WIDTH | | BACK WIDTH | | HEIGHT | | DEPTH | | VIEWING AREA |
|-------------|-------------|---------|------------|---------|--------|---------|--------|---------|--------------|
| | Actual | Framing | Actual | Framing | Actual | Framing | Actual | Framing | |
| ODVILLAG-42 | 47-1/8 | 48 | 29-3/4 | 48 | 39-1/2 | 39-3/4 | 21-3/8 | 21-1/2 | 42 x 20-7/8 |

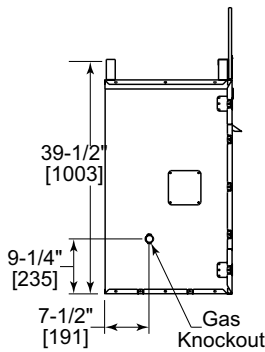


Top View

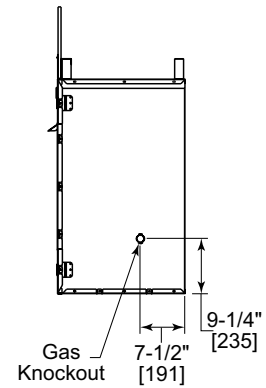
TOP VIEW



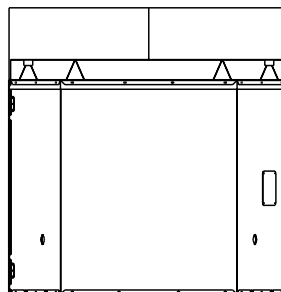
Front View



Left Side View

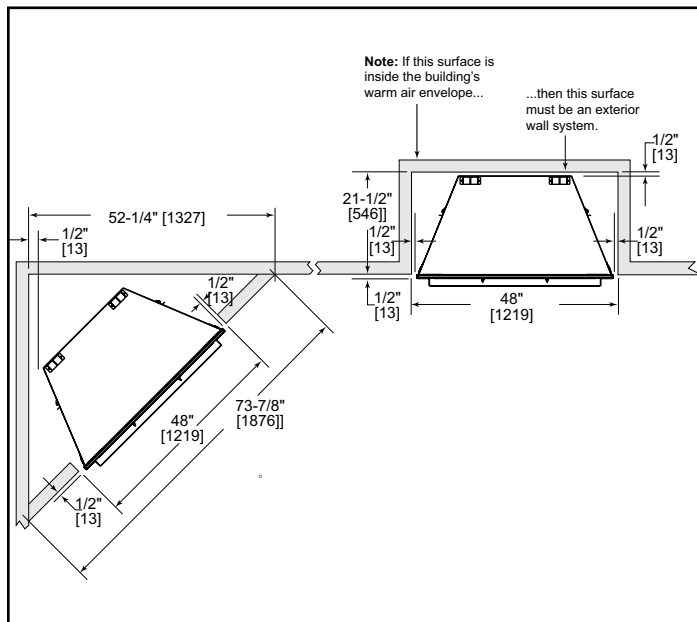


Right Side View

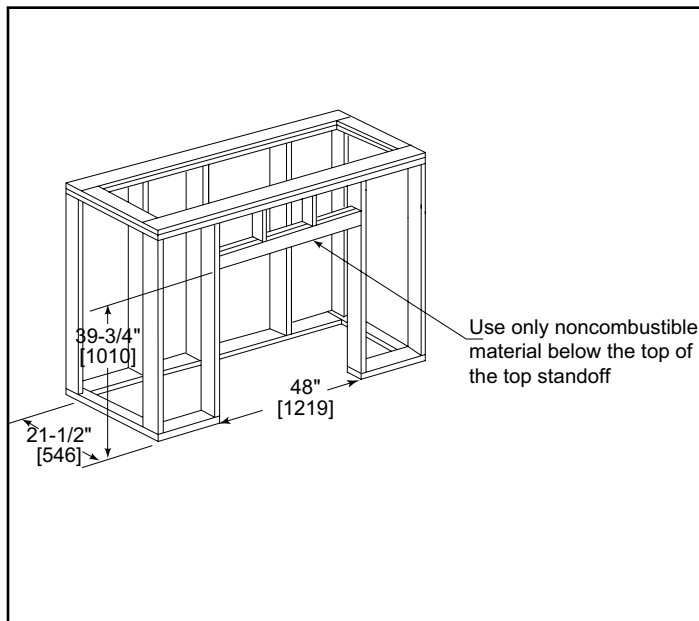


Rear View

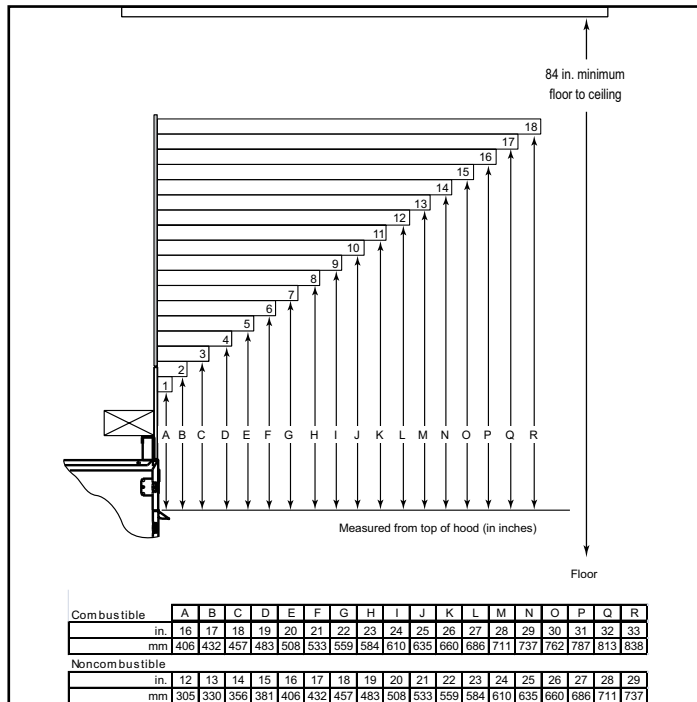
APPLIANCE LOCATION



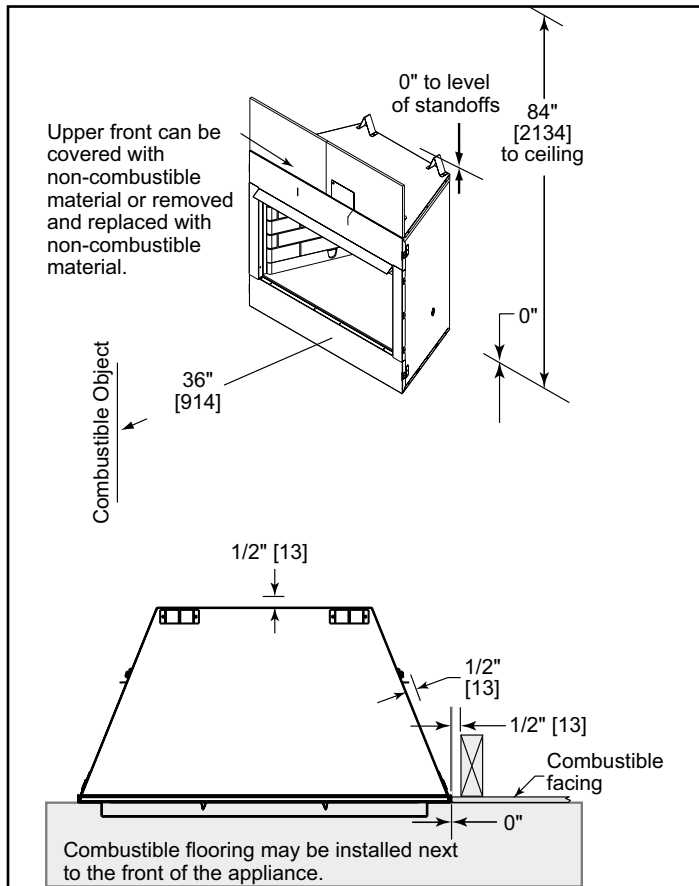
FRAMING DIMENSIONS



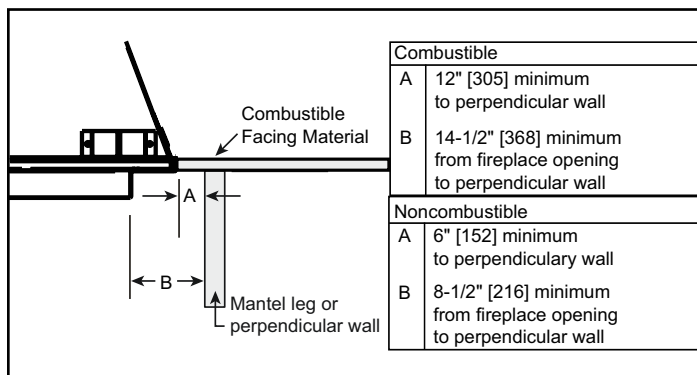
MANTLE PROJECTIONS



CLEARANCES TO COMBUSTIBLES



LEG/WALL PROJECTIONS



| PRODUCT LISTING CODES | |
|-----------------------|------------------|
| US | ANSI Z21.97-2010 |
| CAN | CR97-003 |

Product information provided is not complete and is subject to change without notice. Product installation must adhere strictly to instructions accompanying product to avoid risk of fire and potential injury.

Additional information can be found online at www.fireplaces.com