

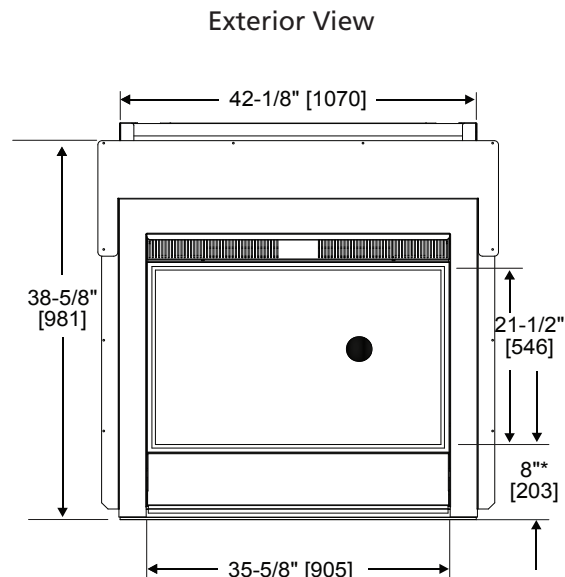
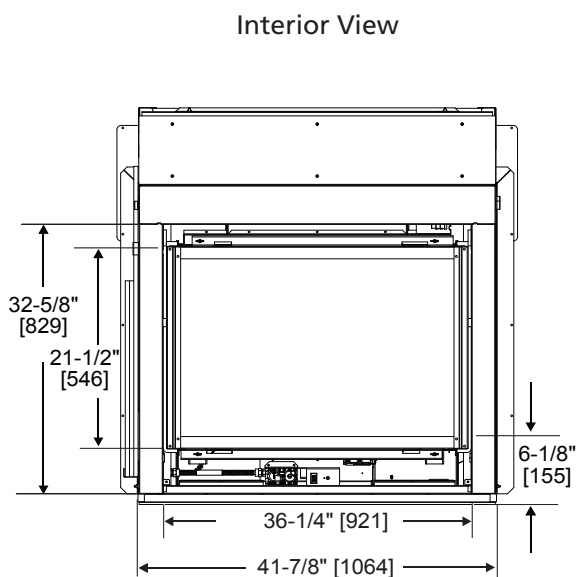
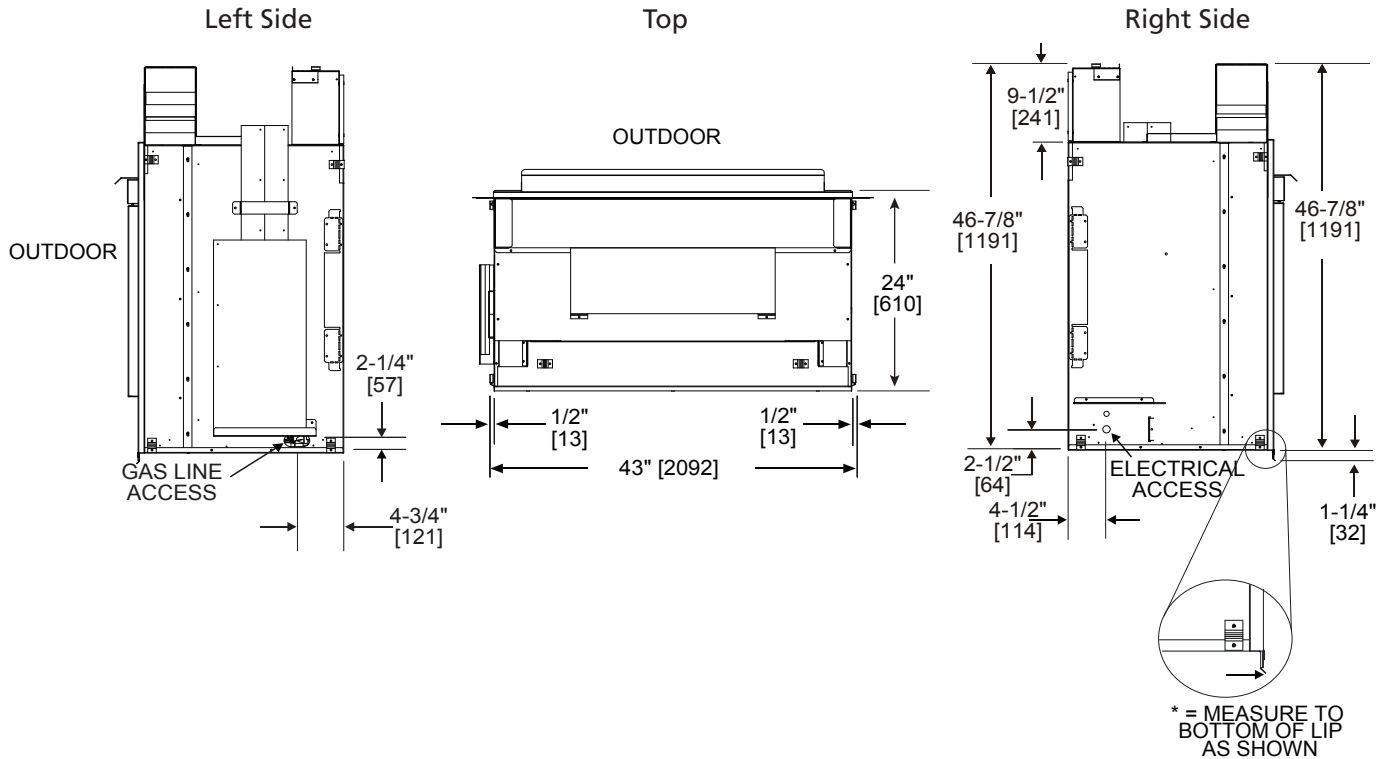


Please consult the manufacturer's installation manual for all details and requirements before making a final design layout decision.

Twilight Modern

Indoor/Outdoor Gas Fireplace

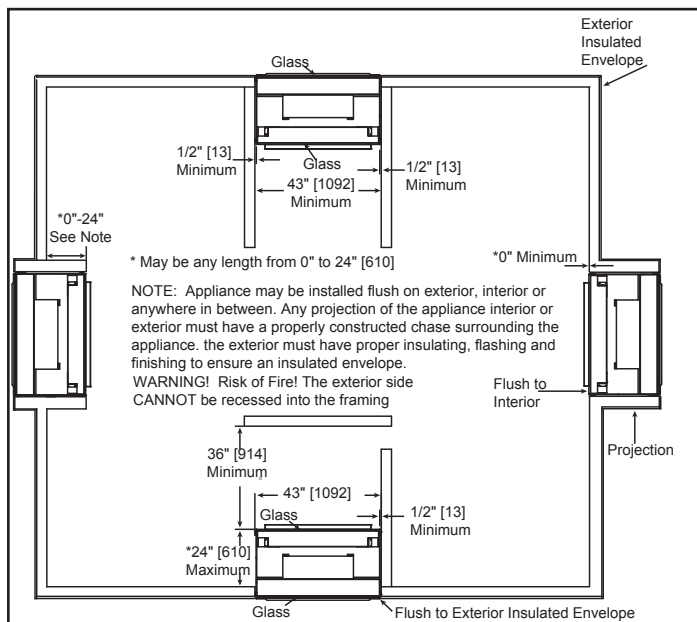
MODEL	INSIDE WIDTH		OUTSIDE WIDTH		INSIDE HEIGHT		OUTSIDE HEIGHT		DEPTH		GLASS SIZE	BTU/HR INPUT
	Actual	Framing	Actual	Framing	Actual	Framing	Actual	Framing	Actual	Framing		
TWILIGHT-II-MDC	43	44	43	44	46-7/8	47-5/8	46-7/8	47-5/8	24	23	35-5/8x21-1/2	38,000



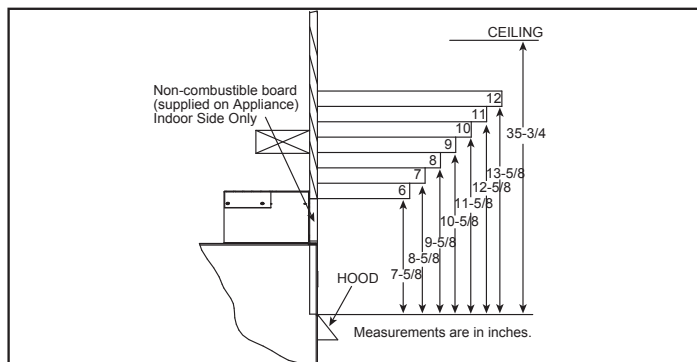
MINIMUM FIREPLACE CLEARANCES

AREA	TO COMBUSTIBLES (in inches)
CLEARANCE TO CEILING/OVERHANG	See Mantel Projections and Clearance to Combustibles diagrams
COMBUSTIBLE/NON-COMBUSTIBLE FLOOR	0
SIDES OF APPLIANCE	1/2

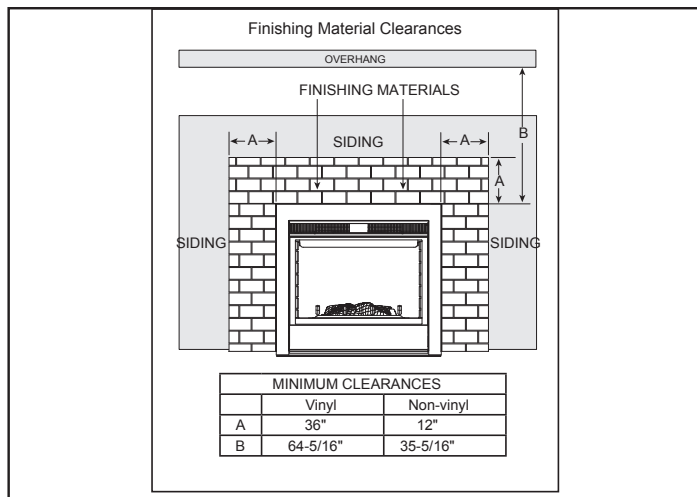
APPLIANCE LOCATION



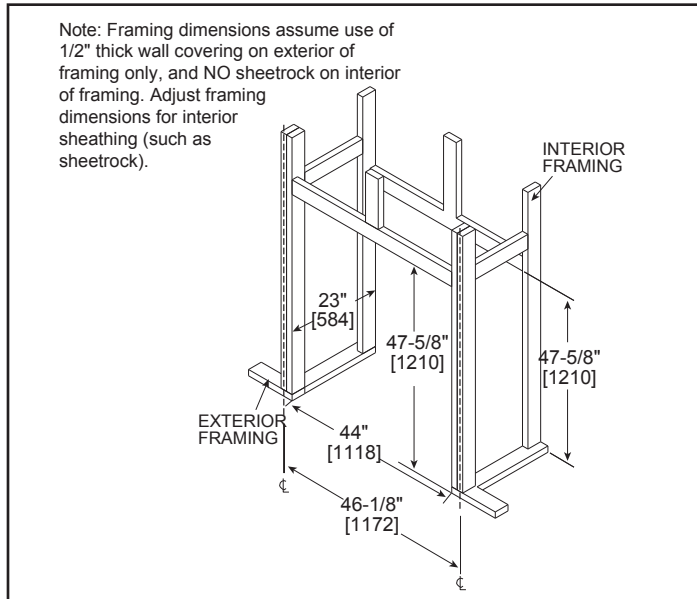
MANTLE PROJECTIONS - INDOOR



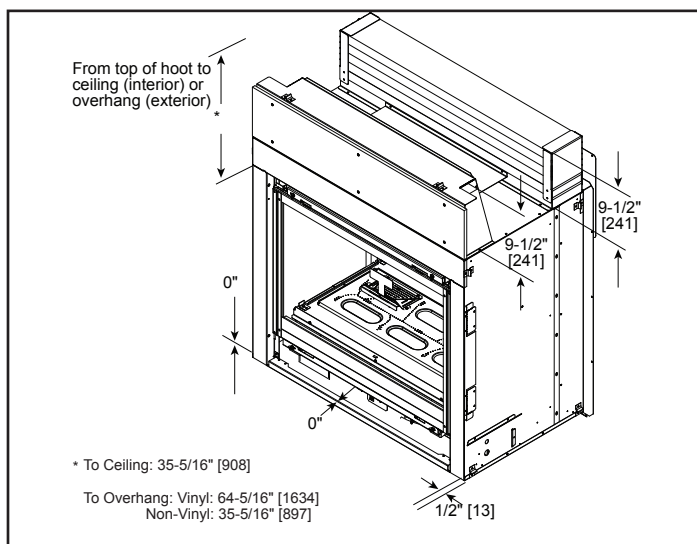
MANTLE PROJECTIONS - OUTDOOR



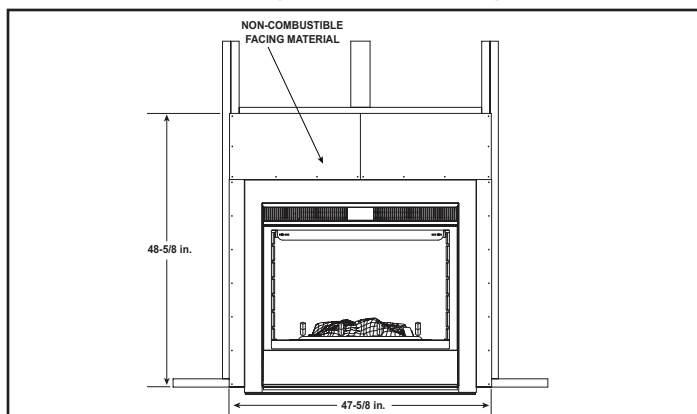
FRAMING DIMENSIONS



CLEARANCES TO COMBUSTIBLES



COMPLETE INSTALLATION OF NON-COMBUSTIBLE FACING MATERIAL (OUTDOOR SIDE)



PRODUCT LISTING CODES	
US	ANSI Z21.50-2014
CAN	CSA 2.22-2014

Product information provided is not complete and is subject to change without notice. Product installation must adhere strictly to instructions accompanying product to avoid risk of fire and potential injury.

Additional information can be found online at www.fireplaces.com