

HEAT & GLO
No one builds a better fire

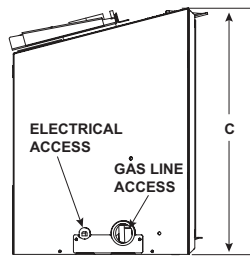
SupremeX 35
Direct Vent Gas Insert

Scan QR code for installation manual for final dimensions and requirements.

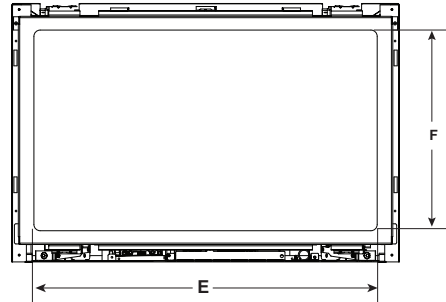


FRONT WIDTH		BACK WIDTH		HEIGHT		DEPTH		GLASS SIZE	BTU/HOUR INPUT (NG)
UNIT	MIN. FIREBOX OPENING	UNIT	MIN. FIREBOX OPEN	UNIT	MIN. FIREBOX OPENING	UNIT	MIN. FIREBOX OPENING		
36-1/8" [918mm]	36-5/8" [930mm]	24-5/8" [626mm]	25-1/8" [638mm]	24" [610mm]	24-1/4" [616mm]	14-1/2" [368mm]	15" [381mm]	32-1/2" X 19-3/8" [826mm X 492mm]	32,700

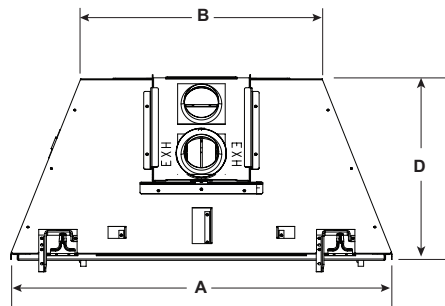
LEFT SIDE VIEW



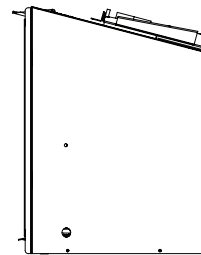
FRONT VIEW



TOP VIEW



RIGHT SIDE VIEW



SURROUND OPTIONS

Hide any gap between your gas fireplace insert and the existing fireplace opening with a low profile metal surround in different finishes. Custom surrounds may be available depending on sizes needed.

SMALL



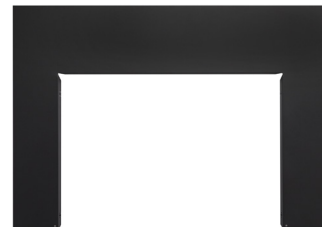
42"W X 29"H

MEDIUM



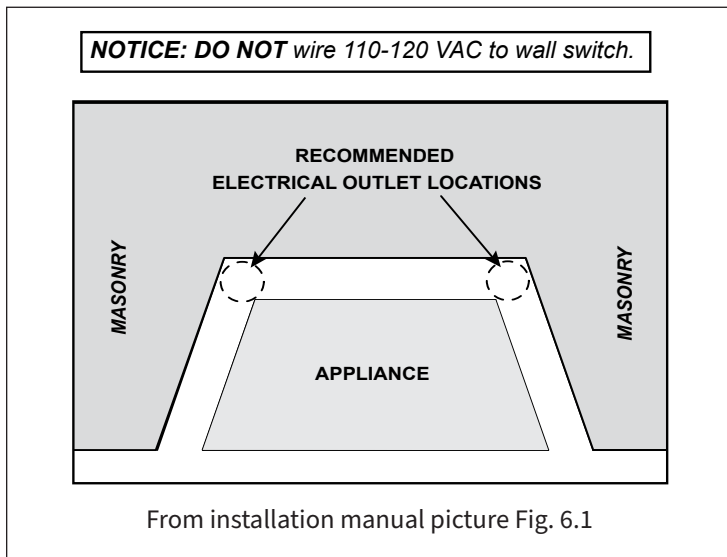
44"W X 32"H

LARGE

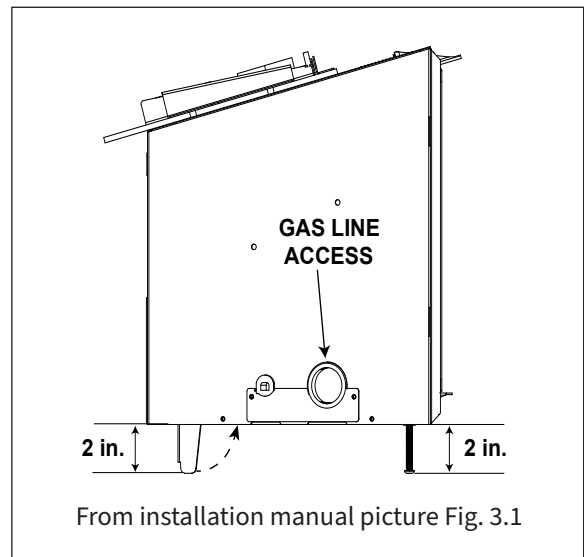


48"W X 32"H

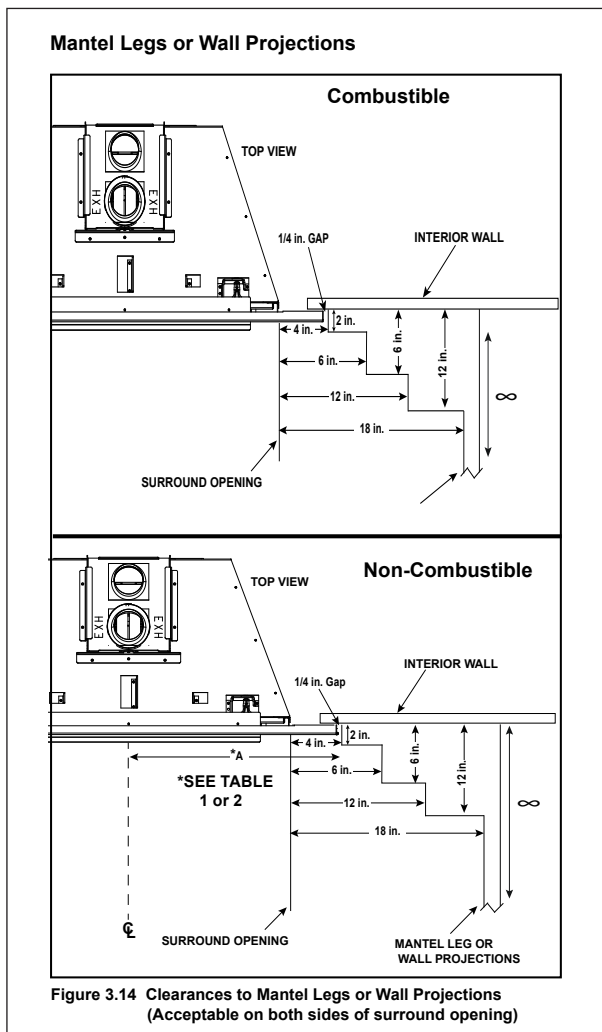
RECEPTACLE LOCATION



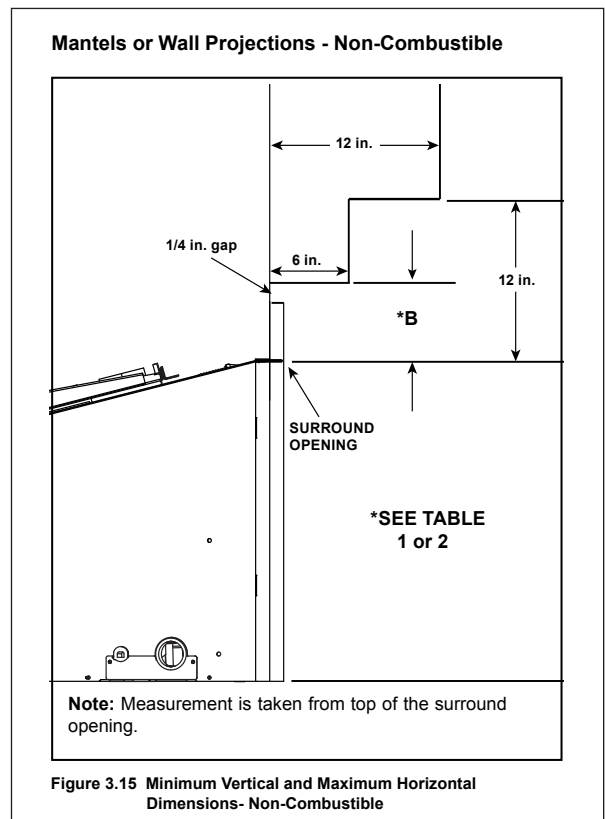
GAS LINE LOCATION



MANTLE LEG CLEARANCE



MANTLE HEIGHT CLEARANCE



PRODUCT LISTING CODES	
US	ANSI Z21.50-2019
CAN	CSA 2.22-2019

Product information provided is not complete and is subject to change without notice. Product installation must adhere strictly to instructions accompanying product to avoid risk of fire and potential injury.



HEAT & GLO

No one builds a better fire

Heat & Glo — A Brand of Hearth & Home Technologies
 7571 215th Street West | Lakeville, MN 55044
 877-486-9123 | heatnglo.com