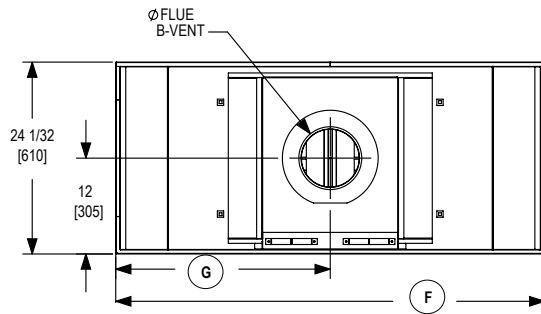




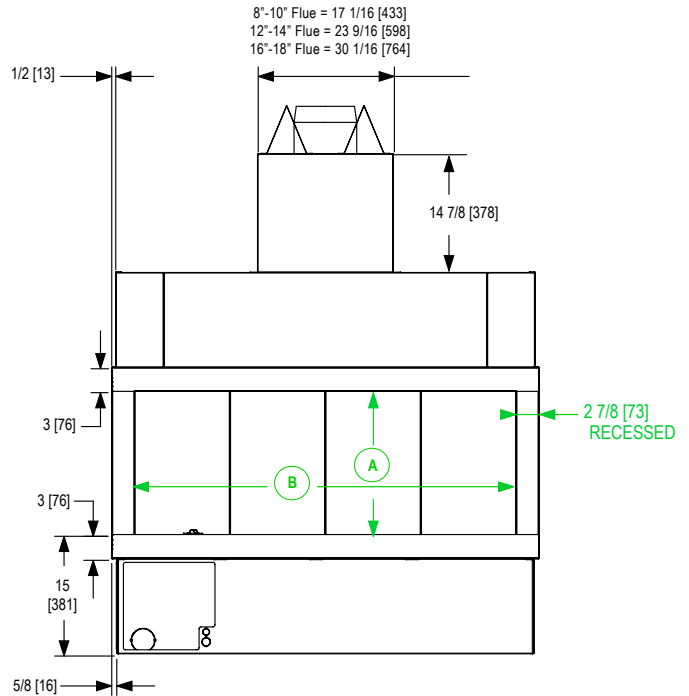
ENLIGHT LINEAR OPEN HEARTH SINGLE-SIDED
Luxury Gas Fireplace



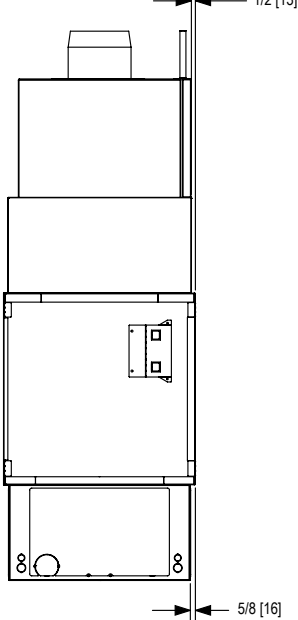
TOP VIEW



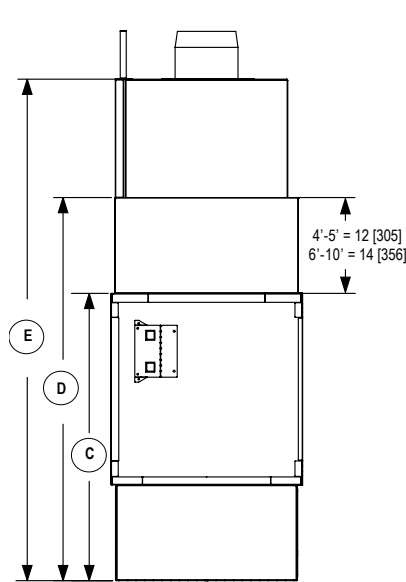
FRONT VIEW



LEFT SIDE



RIGHT SIDE



inches [mm]

The dimensions in green are the allowable finishing width and height. Finishing materials must not overlap these dimensions.

- Designate power vent choice at the time of order
- It is important to refer to the installation and operating manual PRIOR to installation; verify all measurements and clearances for your particular installation
- Dimensions are in inches and [millimeters]
- Use UL approved B-Vent pipe and follow all manufacturer installation guidelines
- Vent run approved up to 110' with quality of 11, 90 degree elbows. 1" clearance to B-Vent must be maintained.

SPECIFICATIONS

Model #	BTUs	Exhaust B-Vent	CFM's Make-Up Air	RS Series Powervent
4-SS-18-LOH	60,000	8	370	RS12
5-SS-18-LOH	80,000	10	455	RS12
6-SS-18-LOH	100,000	10	535	RS12
7-SS-18-LOH	120,000	10	620	RS12
8-SS-18-LOH	140,000	12	700	RS12
9-SS-18-LOH	160,000	12	785	RS14
10-SS-18-LOH	180,000	12	865	RS14

Model #	BTUs	Exhaust B-Vent	CFM's Make-Up Air	RS Series Powervent
4-SS-24-LOH	60,000	10	480	RS12
5-SS-24-LOH	80,000	10	590	RS12
6-SS-24-LOH	100,000	12	700	RS14
7-SS-24-LOH	120,000	12	809	RS14
8-SS-24-LOH	140,000	12	920	RS14
9-SS-24-LOH	160,000	14	1,030	RS16
10-SS-24-LOH	180,000	14	1,140	RS16

MINIMUM FRAMING DIMENSIONS

Model #	A Width	B Height	C Depth
4-SS-18-LOH	55-3/4 [1416]	68-7/8 [1748]	25-1/32 [636]
5-SS-18-LOH	67-3/4 [1721]	68-7/8 [1748]	25-1/32 [636]
6-SS-18-LOH	79-3/4 [2026]	70-7/8 [1799]	25-1/32 [636]
7-SS-18-LOH	91-3/4 [2330]	70-7/8 [1799]	25-1/32 [636]
8-SS-18-LOH	103-3/4 [2635]	70-7/8 [1799]	25-1/32 [636]
9-SS-18-LOH	115-3/4 [2040]	70-7/8 [1799]	25-1/32 [636]
10-SS-18-LOH	127 3/4 [3245]	70-7/8 [1799]	25 1/32 [636]

Model #	A Width	B Height	C Depth
4-SS-24-LOH	55-3/4 [1416]	74-7/8 [1902]	25-1/32 [636]
5-SS-24-LOH	67-3/4 [1721]	74-7/8 [1902]	25-1/32 [636]
6-SS-24-LOH	79-3/4 [2026]	76-7/8 [1953]	25-1/32 [636]
7-SS-24-LOH	91-3/4 [2330]	76-7/8 [1953]	25-1/32 [636]
8-SS-24-LOH	103-3/4 [2635]	76-7/8 [1953]	25-1/32 [636]
9-SS-24-LOH	115-3/4 [2040]	76-7/8 [1953]	25-1/32 [636]
10-SS-24-LOH	127 3/4 [3245]	76-7/8 [1953]	25-1/32 [636]

FIREPLACE DIMENSIONS

Model #	A Finishing Width No Liner	AL Finishing Width with Liner	B Finishing Height	C Height to Trim Top	D Overall Height	E Height to Top of Damper	F Center of Vent	G Firebox Depth	H Overall Width
4-SS-18-LOH	48 [1219]	44 [1118]	18 [457]	36 [914]	48 [1219]	62-7/8 [1597]	26-7/8 [683]	24-1/32 [610]	53-3/4 [1365]
5-SS-18-LOH	60 [1524]	56 [1422]	18 [457]	36 [914]	48 [1219]	62-7/8 [1597]	32-7/8 [835]	24-1/32 [610]	65-3/4 [1670]
6-SS-18-LOH	72 [1829]	68 [1727]	18 [457]	36 [914]	50 [1270]	64-7/8 [1648]	38-7/8 [987]	24-1/32 [610]	77-3/4 [1975]
7-SS-18-LOH	84 [2134]	80 [2032]	18 [457]	36 [914]	50 [1270]	64-7/8 [1648]	44-7/8 [1140]	24-1/32 [610]	89-3/4 [2280]
8-SS-18-LOH	96 [2438]	92 [2337]	18 [457]	36 [914]	50 [1270]	64-7/8 [1648]	50-7/8 [1292]	24-1/32 [610]	101-3/4 [2584]
9-SS-18-LOH	108 [2743]	104 [2642]	18 [457]	36 [914]	50 [1270]	64-7/8 [1648]	56-7/8 [1445]	24-1/32 [610]	113-3/4 [2889]
10-SS-18-LOH	120 [3048]	116 [2946]	18 [457]	36 [914]	50 [1270]	64-7/8 [1648]	62-7/8 [1597]	24-1/32 [610]	125-3/4 [3194]

Model #	A Finishing Width No Liner	AL Finishing Width with Liner	B Finishing Height	C Height to Trim Top	D Overall Height	E Height to Top of Damper	F Center of Vent	G Firebox Depth	H Overall Width
4-SS-24-LOH	48 [1219]	44 [1118]	24 [610]	42 [1067]	54 [1372]	68-7/8 [1749]	26-7/8 [683]	24-1/32 [610]	53-3/4 [1365]
5-SS-24-LOH	60 [1524]	56 [1422]	24 [610]	42 [1067]	54 [1372]	68-7/8 [1749]	32-7/8 [835]	24-1/32 [610]	65-3/4 [1670]
6-SS-24-LOH	72 [1829]	68 [1727]	24 [610]	42 [1067]	56 [1422]	70-7/8 [1800]	38-7/8 [987]	24-1/32 [610]	77-3/4 [1975]
7-SS-24-LOH	84 [2134]	80 [2032]	24 [610]	42 [1067]	56 [1422]	70-7/8 [1800]	44-7/8 [1140]	24-1/32 [610]	89-3/4 [2280]
8-SS-24-LOH	96 [2438]	92 [2337]	24 [610]	42 [1067]	56 [1422]	70-7/8 [1800]	50-7/8 [1292]	24-1/32 [610]	101-3/4 [2584]
9-SS-24-LOH	108 [2743]	104 [2642]	24 [610]	42 [1067]	56 [1422]	70-7/8 [1800]	56-7/8 [1445]	24-1/32 [610]	113-3/4 [2889]
10-SS-24-LOH	120 [3048]	116 [2946]	24 [610]	42 [1067]	56 [1422]	70-7/8 [1800]	62-7/8 [1597]	24-1/32 [610]	125-3/4 [3194]

TV AND MANTEL MOUNTING RECOMMENDATIONS

Frame up the fireplace following the manual instructions.

We recommend using one larger 2x8 or 2x10 header rather than doubled up 2x4's. This is particularly relevant when installing the models with larger vent pipe that won't have the proper clearance to combustibles around the pipe.

Plan for the TV outlet and cable routing. Stellar recommends above or directly under the header to avoid the fireplace chassis. Do not center on the flue pipe.

Decide where to place the TV mount and or mantle. The TV mount can attach through the finishing material into the header (higher TV) or the mount can utilize the metal of the fireplace as a secure backer (lower TV). Avoid the 6 [152] above the fireplace and below the header (red area in picture). There will be no structure behind the wall to attach to.

inches [millimeters]

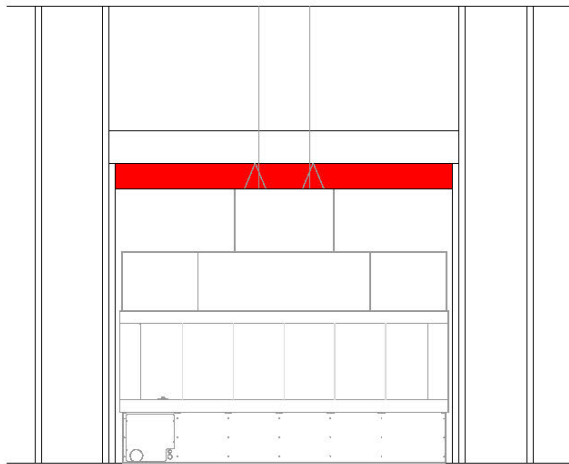
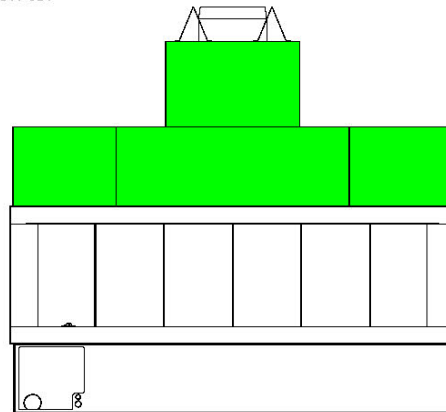


Figure 6B.1



The fireplace has metal above the opening that screws are allowed to pierce up to 7/8" for fastening Purposes. Figure 6B.2 (green area) Refer to manual for dimensions.

Figure 6B.2

NOTE: TV or combustible mantle MUST BE 6 [152] or greater above the fireplace opening. Figure 6B.1

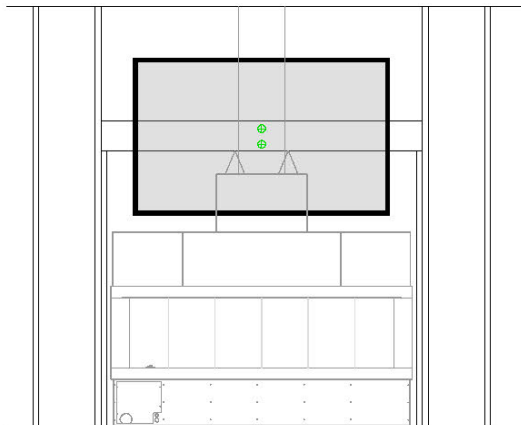


Figure 6B.3

Use lag screws or TV mount recommendations to fasten into the header. Use only screws that are 1-1/2" longer than the finishing material thickness. The screw cannot touch the pipe behind the header.

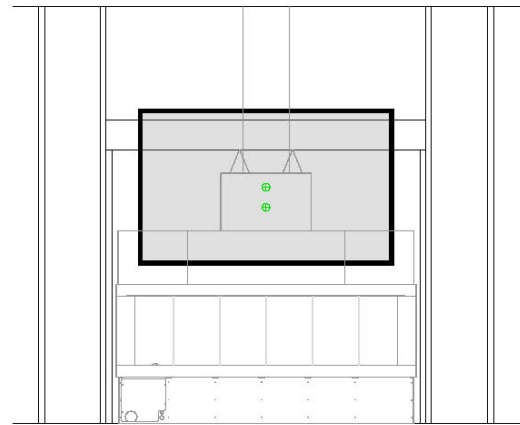


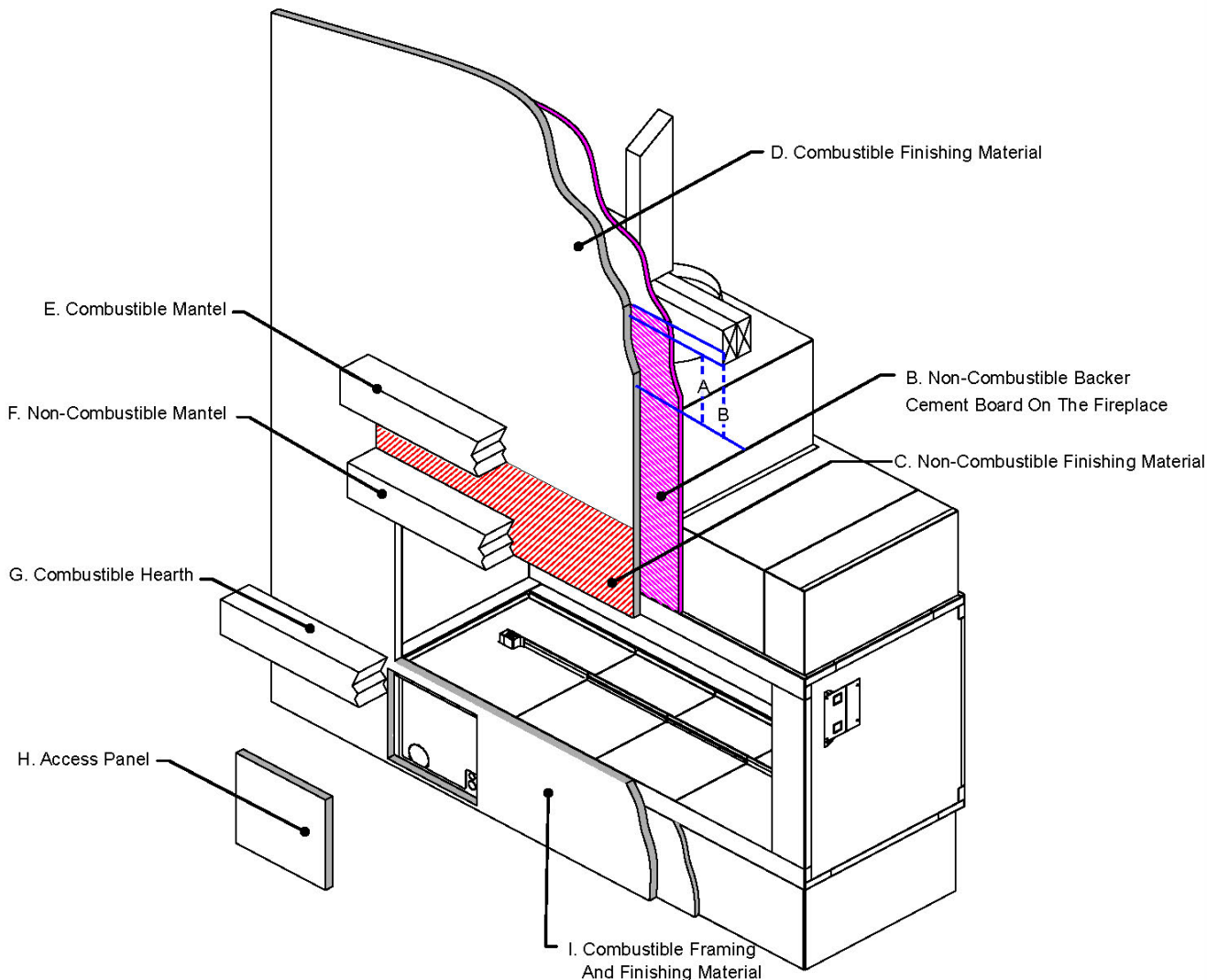
Figure 6B.4

Purchase #14 or larger self-drilling screws. The screws MUST BE NO LONGER THAN 7/8" PAST THE THICKNESS OF THE FINISHING MATERIAL. Example, if there is 1/2" sheetrock over 1/2" Hardi board, then the max screw length is 1-7/8".

FINISHING THE WALL


Figure 11A.2

NOTE: FINISHING NOT TO SCALE



inches [mm]

- A. No combustible framing materials may be within 6 [152] of the top of the fireplace.
- B. Non-combustible back board must be used between the viewing area opening and 6 [152] above the fireplace across the full width of the fireplace. 7 [178] is recommended for ease of attachment.
- C. 6 [152] of non-combustible finishing material is required to cover the non-combustible area mentioned in A & B.
- D. Combustible finishing materials allowed.
- E. Combustible mantel may be placed no closer than 6 [152] from the viewing area opening. There are no restrictions on mantel depth.
- F. Non-combustible mantel may be placed at the top of the viewing area. There are no restrictions on mantel depth.
- G. Combustible hearth may be placed below the bottom of the glass viewing area.
- H. Flat covers will cover the components access. Gas and electric inlets are located behind this panel.
There are four access panel options all located on the pilot side of the fireplace; front (shown above), side, back and inside on the pilot side.
Please take consideration of which option will be used to access the components for service later during planning.
- I. Combustible framing and finishing materials allowed on the face of the fireplace below the viewing area only.

PRODUCT LISTING CODES	
US	ANSI Z21.88-2019
CAN	CSA 2.33-2019
	UL307B

Product information provided is not complete and is subject to change without notice. Product installation must adhere strictly to instructions accompanying product to avoid risk of fire and potential injury.

STL-ENLIGHT-OH-SS-0624



Heat & Glo – A Brand of Hearth & Home Technologies
7571 215th Street West | Lakeville, MN 55044
877-486-9123 | heatnglo.com