



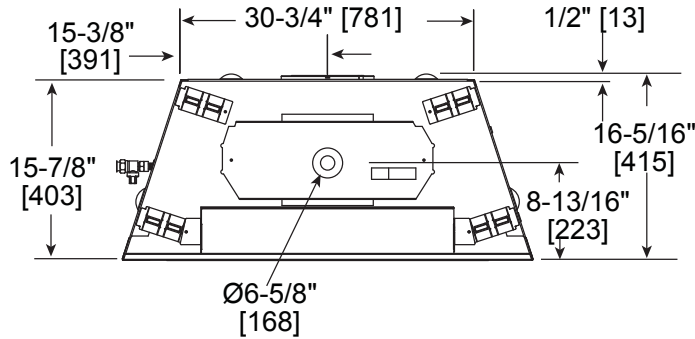
Please consult the manufacturer's installation manual for all details and requirements before making a final design layout decision.

SL-Fusion 7

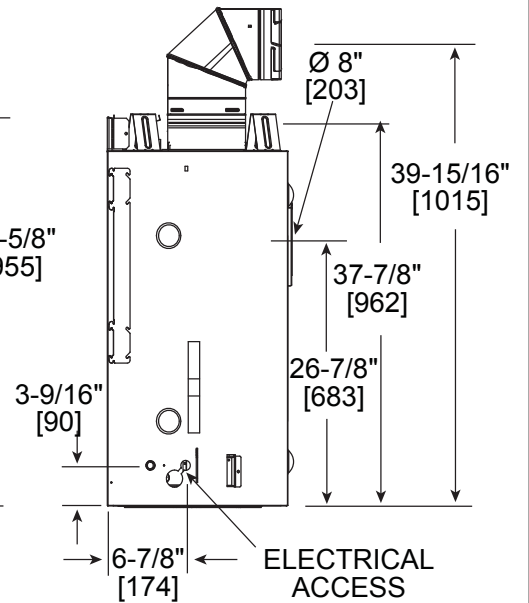
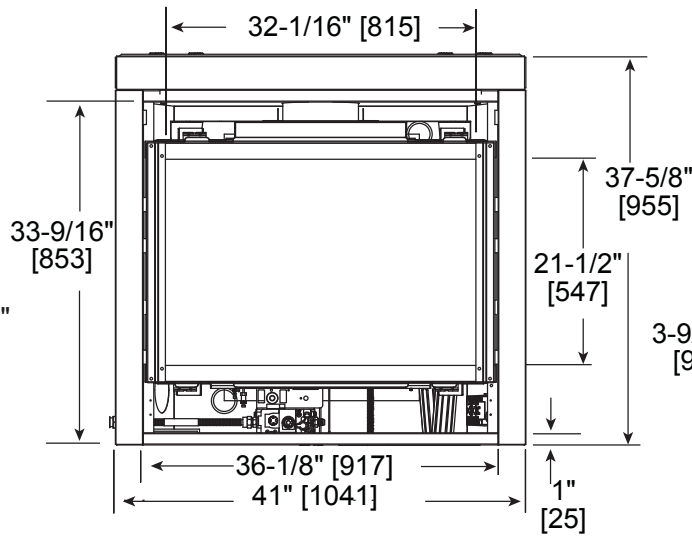
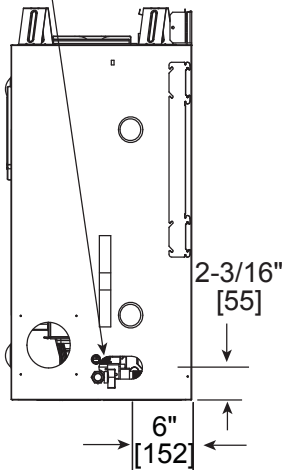
Direct Vent Gas Fireplace

MODEL	FRONT WIDTH		BACK WIDTH		HEIGHT		DEPTH		GLASS SIZE
	Actual	Framing	Actual	Framing	Actual	Framing	Actual	Framing	
SL-7F	41	42	30-3/4	42	37-7/8	38-1/4	16-5/16	16-1/4	32-1/16 x 21-1/2

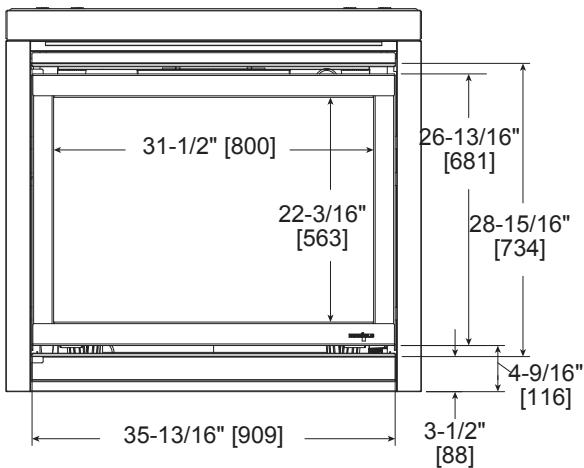
UNIT Dimensions



GAS LINE ACCESS



FRONT Dimensions

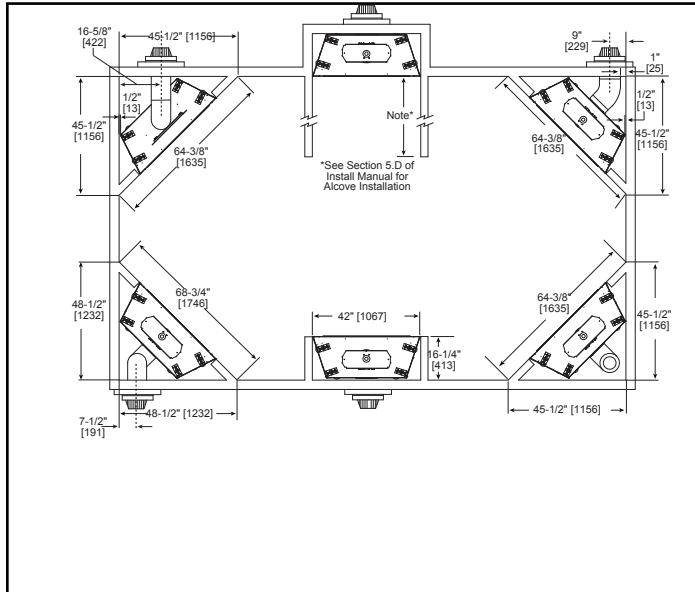


Clean Face Front

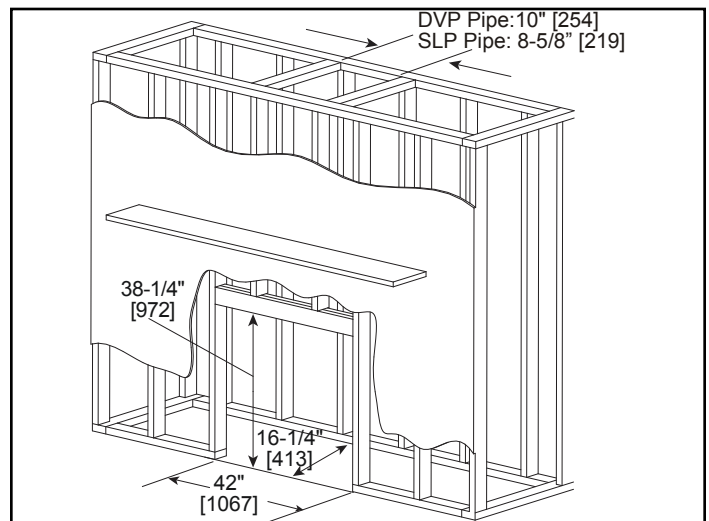
MINIMUM FIREPLACE CLEARANCES

AREA	TO COMBUSTIBLES (in inches)
CLEARANCE TO CEILING	32
COMBUSTIBLE/NON-COMBUSTIBLE FLOOR	0
BEHIND APPLIANCE	1/2
SIDES OF APPLIANCE	1/2
FRONT OF APPLIANCE	36

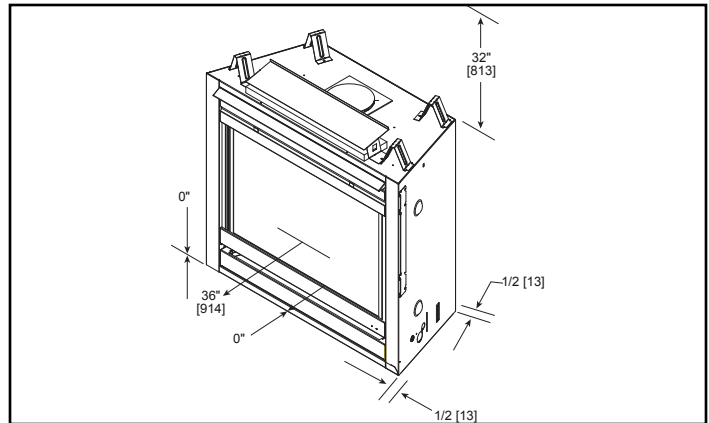
APPLIANCE LOCATION



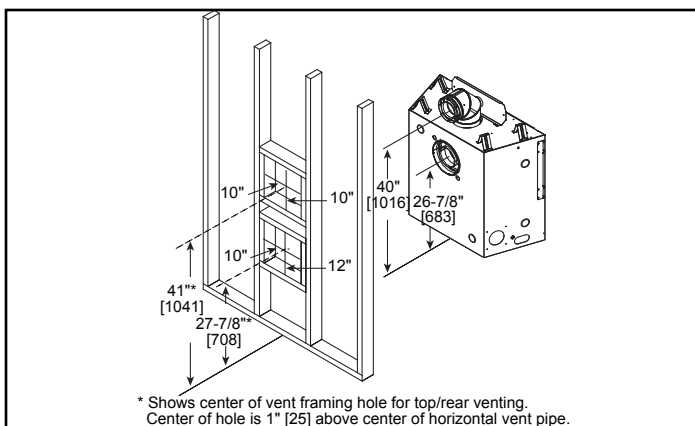
FRAMING DIMENSIONS



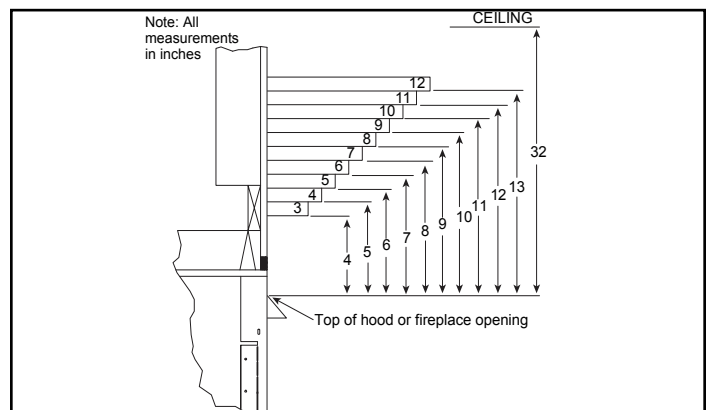
CLEARANCES TO COMBUSTIBLES



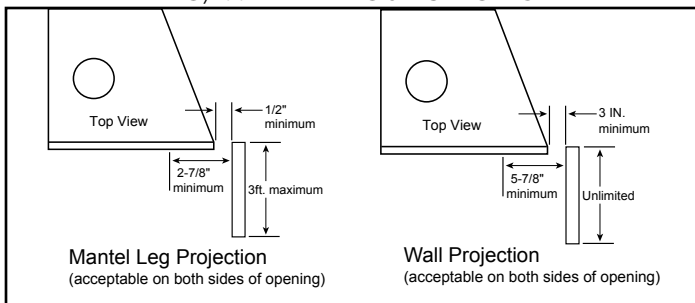
WALL PENETRATION



MANTEL PROJECTIONS



MANTEL LEG/WALL PROJECTIONS



PRODUCT LISTING CODES	
US	ANSI Z21.88-2014
CAN	CSA 2.33-2014
	UL307B

Product information provided is not complete and is subject to change without notice. Product installation must adhere strictly to instructions accompanying product to avoid risk of fire and potential injury.

Additional information can be found online at www.heatnglo.com