



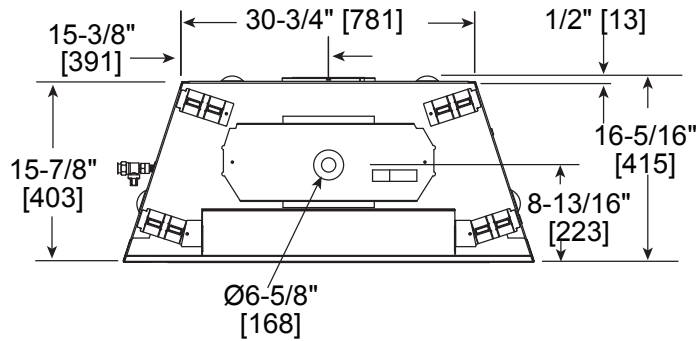
Please consult the manufacturer's installation manual for all details and requirements before making a final design layout decision.

SL-Fusion 750

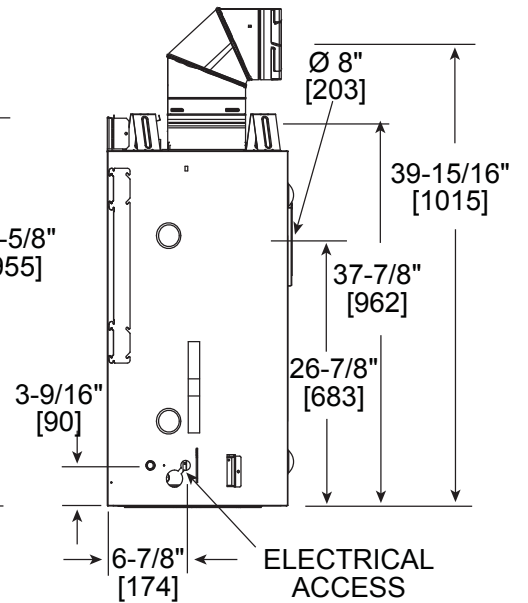
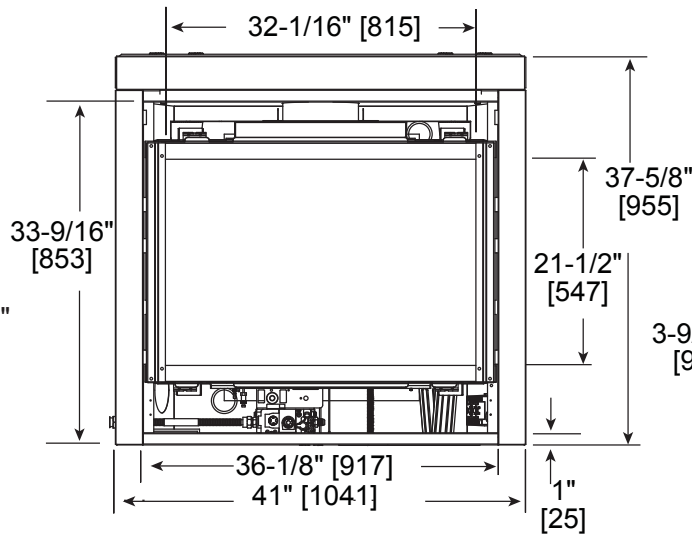
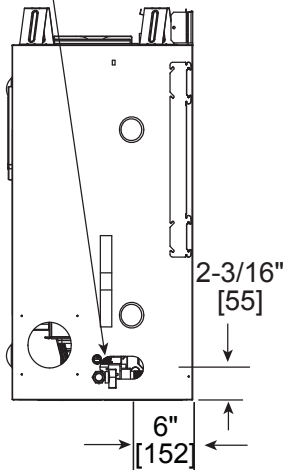
Direct Vent Gas Fireplace

| MODEL | FRONT WIDTH | | BACK WIDTH | | HEIGHT | | DEPTH | | GLASS SIZE |
|---------|-------------|---------|------------|---------|--------|---------|---------|---------|------------------|
| | Actual | Framing | Actual | Framing | Actual | Framing | Actual | Framing | |
| SL-750F | 41 | 42 | 30-3/4 | 42 | 37-7/8 | 38-1/4 | 16-5/16 | 16-1/4 | 32-1/16 x 21-1/2 |

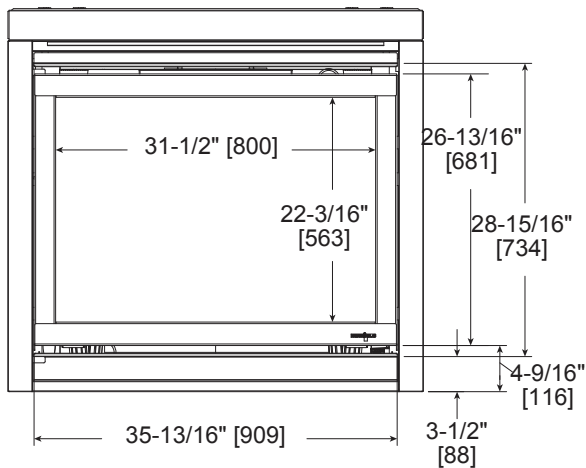
UNIT Dimensions



GAS LINE ACCESS



FRONT Dimensions

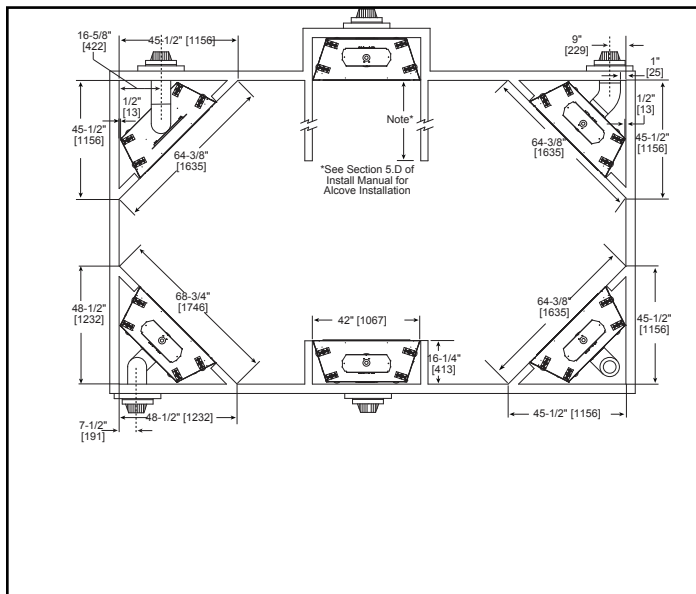


Clean Face Front

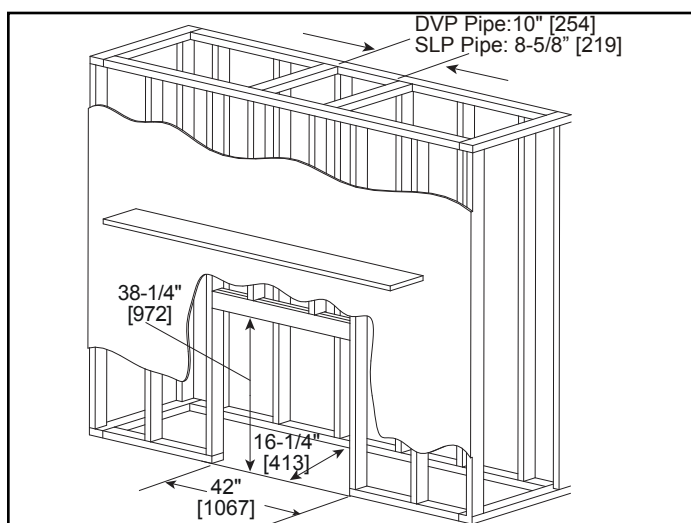
MINIMUM FIREPLACE CLEARANCES

| AREA | TO COMBUSTIBLES (in inches) |
|-----------------------------------|-----------------------------|
| CLEARANCE TO CEILING | 32 |
| COMBUSTIBLE/NON-COMBUSTIBLE FLOOR | 0 |
| BEHIND APPLIANCE | 1/2 |
| SIDES OF APPLIANCE | 1/2 |
| FRONT OF APPLIANCE | 36 |

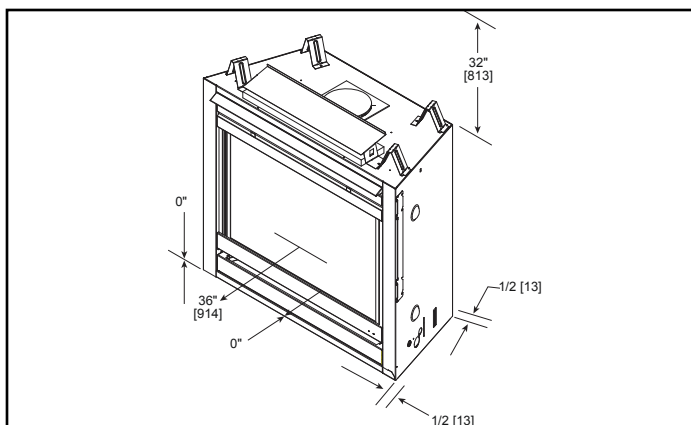
APPLIANCE LOCATION



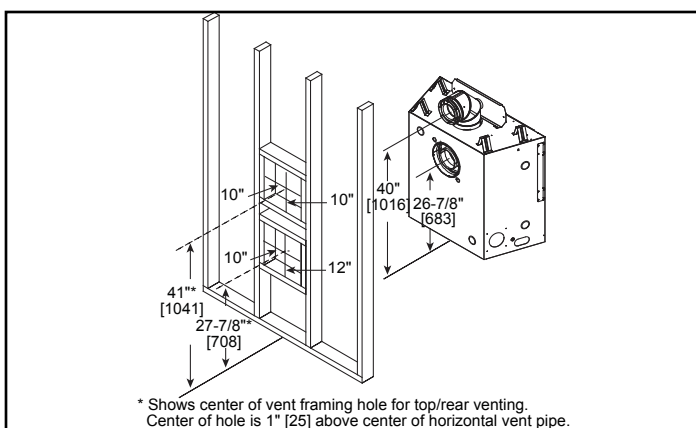
FRAMING DIMENSIONS



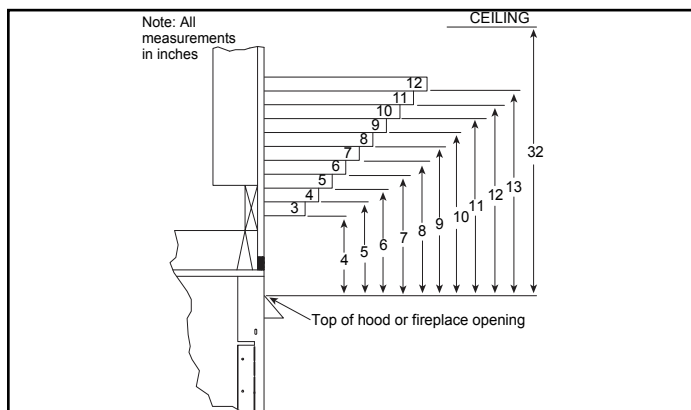
CLEARANCES TO COMBUSTIBLES



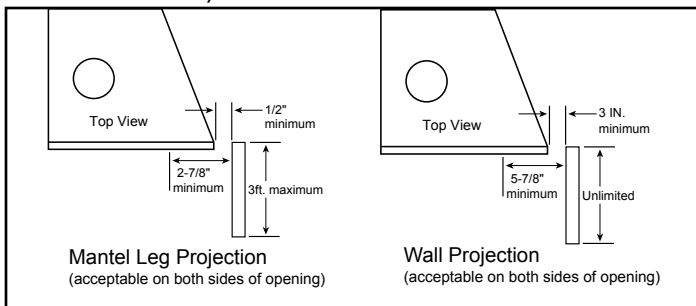
WALL PENETRATION



MANTEL PROJECTIONS



MANTEL LEG/WALL PROJECTIONS



| PRODUCT LISTING CODES | |
|-----------------------|------------------|
| US | ANSI Z21.88-2009 |
| CAN | CSA 2.33-2009 |
| | UL307B |

Product information provided is not complete and is subject to change without notice. Product installation must adhere strictly to instructions accompanying product to avoid risk of fire and potential injury.

Additional information can be found online at www.heatnglo.com