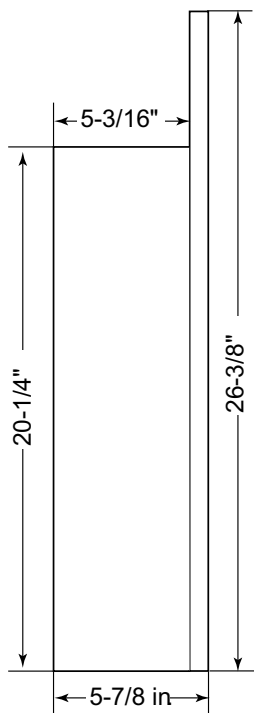




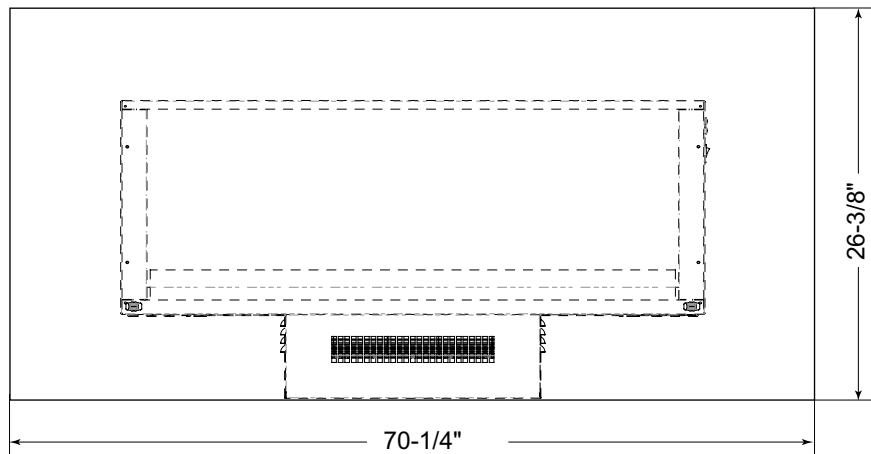
Please consult the manufacturer's installation manual for all details and requirements before making a final design layout decision.

70" Wall Mount Electric Fireplace

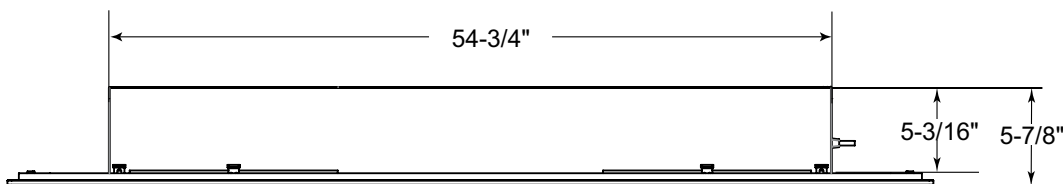
| MODEL | FRONT WIDTH | BACK WIDTH | HEIGHT | DEPTH | GLASS SIZE |
|------------|-------------|------------|--------|-------|-----------------|
| SF-WM70-BK | 70-1/4 | 54-3/4 | 26-3/8 | 5-7/8 | 70-1/4 X 26-3/8 |



Side View

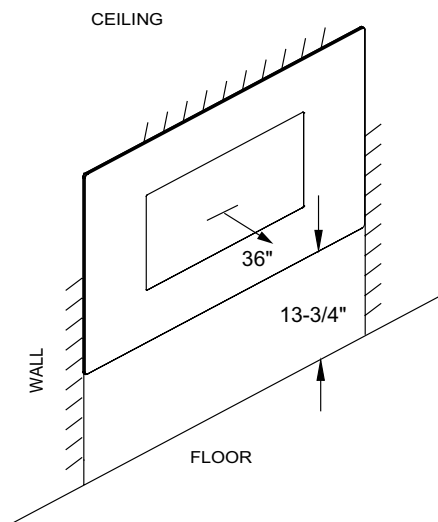


Front View



Back View

Clearance to Combustibles



| PRODUCT LISTING CODES | |
|-----------------------|----------------------|
| US | CSA 22.2 No 46-M1988 |
| INTERNATIONAL | CSA 22.2 No 46-M1988 |

Product information provided is not complete and is subject to change without notice. Product installation must adhere strictly to instructions accompanying product to avoid risk of fire and potential injury.

Additional information can be found online at www.fireplaces.com



Lakeville, MN Web: fireplaces.com
 Phone: 888-427-3973 952-985-6000

