



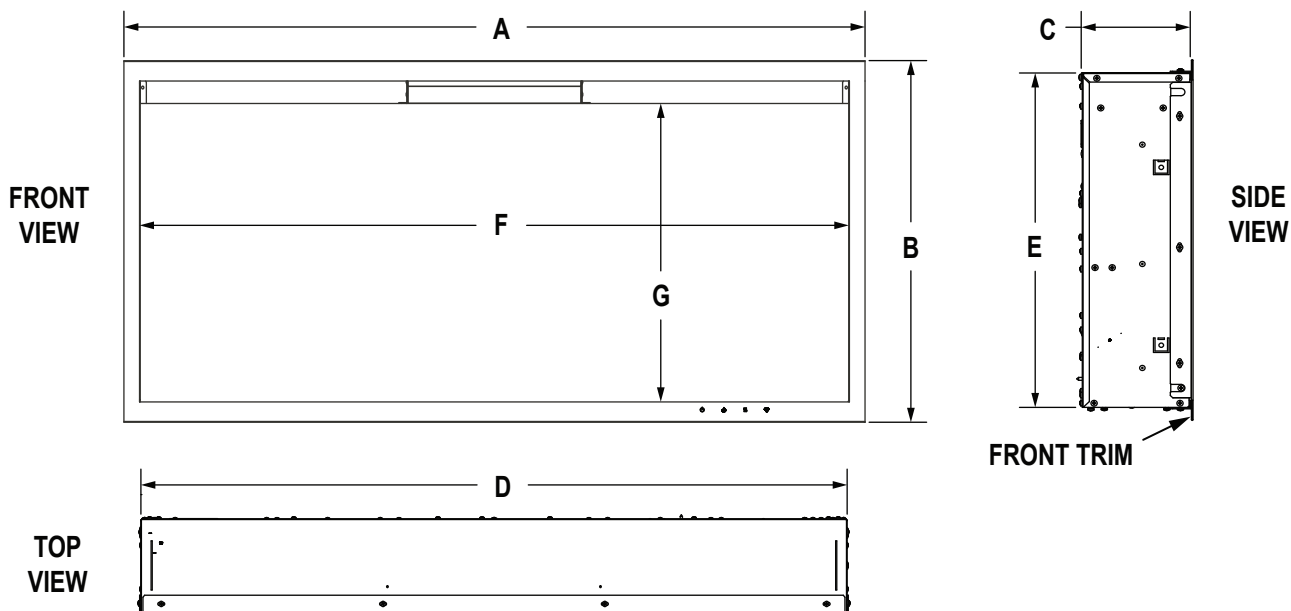
Please consult the manufacturer's installation manual for all details and requirements before making a final design layout decision.

**Allusion Platinum 50"**  
 Linear Electric Fireplace  
 Post-Paint Installation

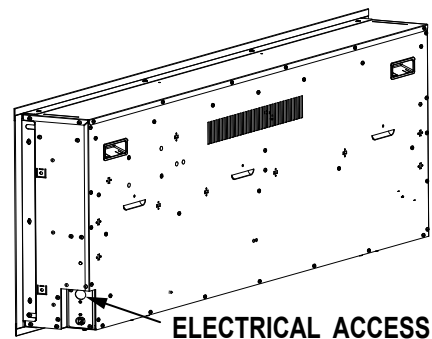
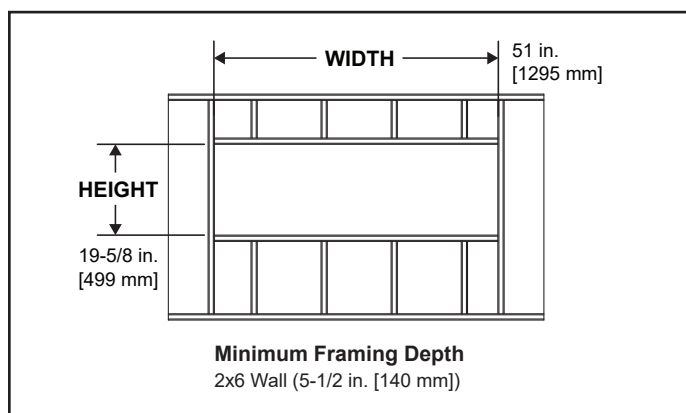
| MODEL        | WIDTH                    |                         |                     | HEIGHT                  |                        |                        | DEPTH                 |                       | VIEWING AREA (F x G)           |
|--------------|--------------------------|-------------------------|---------------------|-------------------------|------------------------|------------------------|-----------------------|-----------------------|--------------------------------|
|              | Front (A)                | Back (D)                | Framing             | Front (B)               | Back (E)               | Framing                | Actual (C)*           | Framing**             |                                |
| SF-ALLP50-BK | 52-5/16 in.<br>[1329 mm] | 50-1/2 in.<br>[1283 mm] | 51 in.<br>[1295 mm] | 20-7/16 in.<br>[519 mm] | 19-3/8 in.<br>[492 mm] | 19-5/8 in.<br>[499 mm] | 5-5/8 in.<br>[143 mm] | 5-1/2 in.<br>[140 mm] | 48 x 15 in.<br>[1219 x 381 mm] |

\* Actual depth includes the front trim of the fireplace.

\*\* Minimum framing depth is a 2 x 6 wall, see next page for finishing guidance.



**FRAMING DIMENSIONS**



**ELECTRICAL ACCESS**

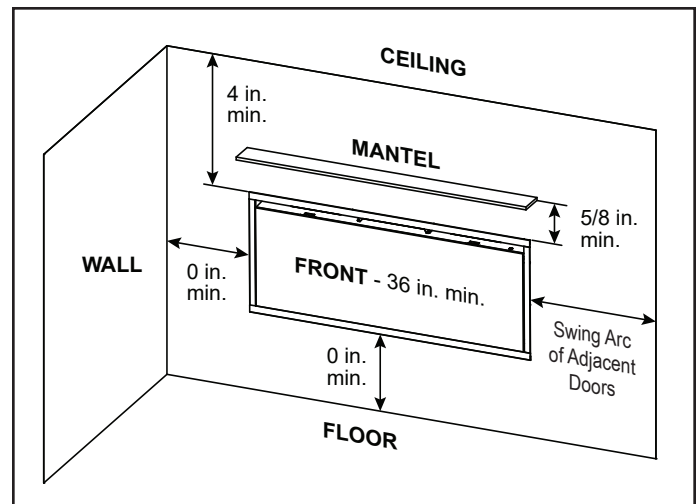
**ELECTRICAL CONNECTION REQUIREMENTS**

| CIRCUIT                  | CONNECTION METHOD   | BTUS  |
|--------------------------|---------------------|-------|
| 15 AMP, 120V/60 Hz/1500W | Hardwire or plug-in | 5,000 |

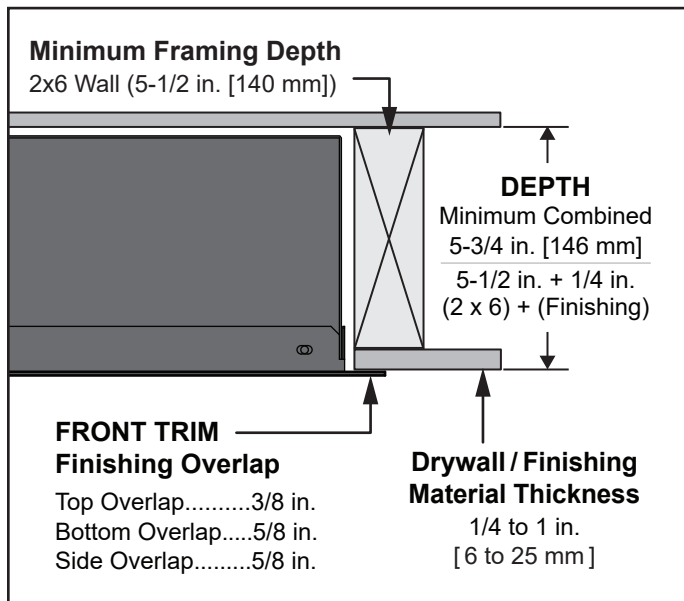
**MINIMUM CLEARANCES TO COMBUSTIBLES**

| AREA           | CLEARANCES      |
|----------------|-----------------|
| SIDES          | 0 in.           |
| FLOOR          | 0 in.           |
| TOP TO MANTEL  | 5/8 in. [16 mm] |
| TOP TO CEILING | 4 in. [102 mm]  |
| BACK           | 0 in.           |
| FRONT          | 36 in. [914 mm] |

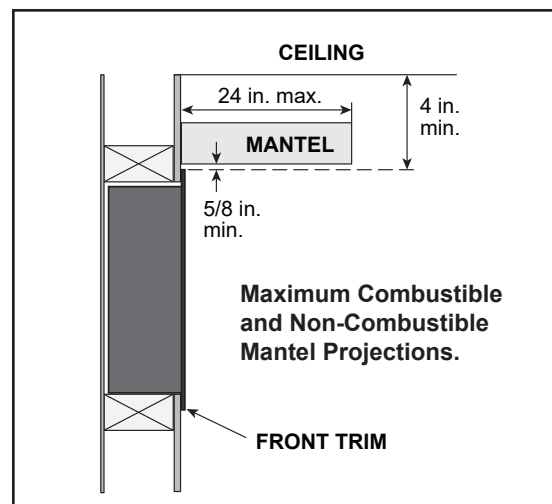
**APPLIANCE LOCATION**



**FINISHING DIMENSIONS**



**MANTEL PROJECTIONS**



**Post-Paint Installation:** The drywall/finishing material must be installed before installation of the appliance into the wall. Drywall/finishing material must be brought to the edge of the framed opening to ensure that the front trim of the appliance overlaps the finishing material on all sides.

**Required Depth:** The appliance requires a minimum combined wall framing and drywall/finishing material thickness of 5-3/4 inches, such as a 2x6 framed wall with a minimum of a 1/4 inch of drywall/finishing material.

The maximum thickness of drywall/finishing material is 1 inch, making the accepted range 1/4 to 1 inch.

The Allusion Platinum is designed for use on painted drywall, tile, wood paneling, shiplap, and other smooth finishes including porcelain and granite, with a total thickness up to 1 inch thick when combined with drywall.

**APPLIANCE CERTIFICATION**

MODEL: SF-ALLP50-BK

LABORATORY: CSA International

TYPE: Electric Air-Heaters; Fixed and Location-Dedicated Electric Room Heaters

STANDARD: CSA C22.2 No 46-13; UL 2021 (4th Edition)

Product information provided is not complete and is subject to change without notice. Product installation must adhere strictly to instructions accompanying product to avoid risk of fire and potential injury.



SimpliFire — A Brand of Hearth & Home Technologies  
 7571 215th Street West | Lakeville, MN 55044  
 888-427-3973 | 952-985-6000 | fireplaces.com

