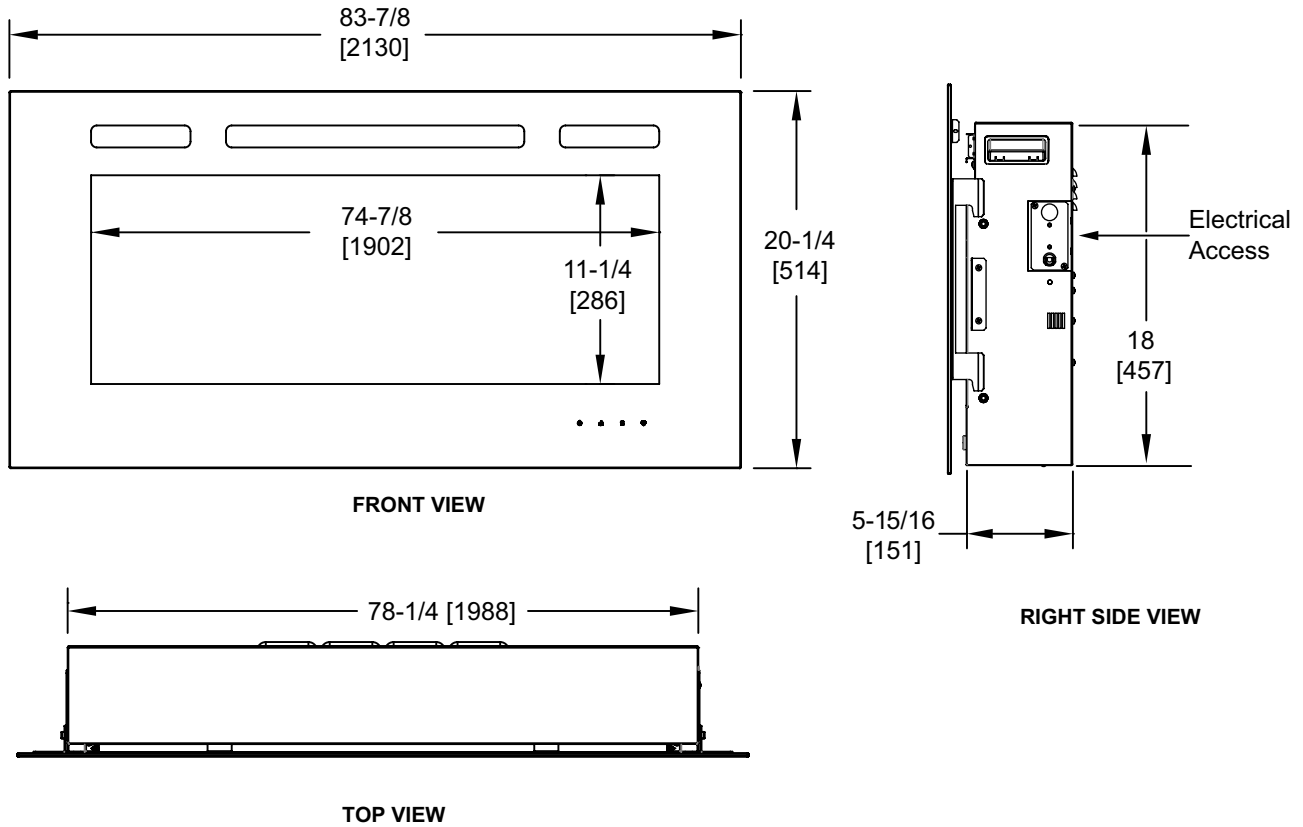




Please consult the manufacturer's installation manual for all details and requirements before making a final design layout decision.

Allusion 84" Recessed Linear Electric Fireplace

| MODEL | FRONT WIDTH | | BACK WIDTH | | FRONT HEIGHT | | BACK HEIGHT | | DEPTH | | VIEWING AREA |
|--------------|-------------------|-------------------|-------------------|-------------------|------------------|------------------|--------------|------------------|-------------------|------------|-----------------------------------|
| | Actual | Framing | Actual | Framing | Actual | Framing | Actual | Framing | Actual | Framing | |
| SF-ALL-84-BK | 83-7/8" [2130] | 79-1/2" [2019] | 78-1/4" [1988] | 79-1/2" [2019] | 20-1/4" [515] | 18-3/8" [467] | 18" [457] | 18-1/8" [461] | 5-15/16" [151] | 2x6 or 2x4 | 74-7/8" x 11-1/4" [1902 x 286] |



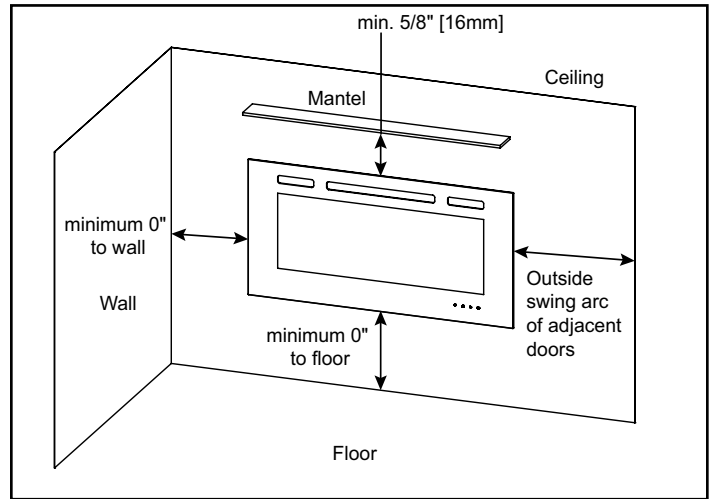
ELECTRICAL CONNECTION REQUIREMENTS

| CIRCUIT | CONNECTION METHOD | BTUS |
|--------------------|---------------------|-------|
| 15 AMP, 120V/60 Hz | Hardwire or plug-in | 5,000 |

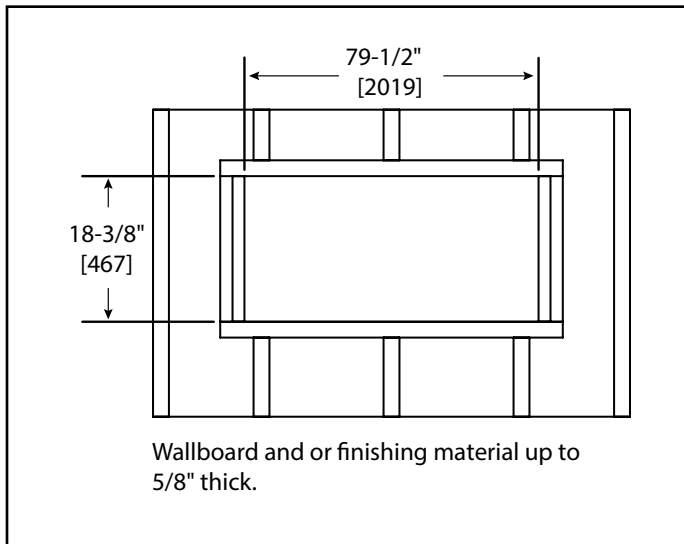
MINIMUM CLEARANCES TO COMBUSTIBLES

| AREA | CLEARANCES |
|---------------|------------|
| SIDES | 0" |
| FLOOR | 0" |
| TOP TO MANTEL | 5/8" [16] |
| BACK | 0" |
| FRONT | 36" [914] |

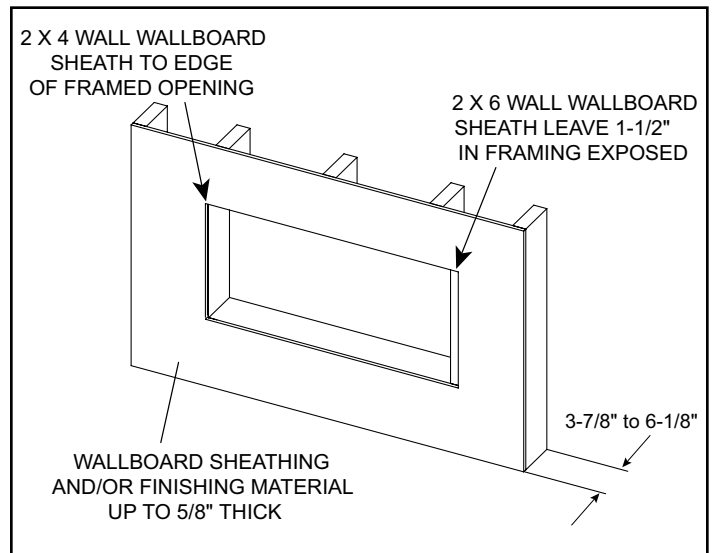
APPLIANCE LOCATION



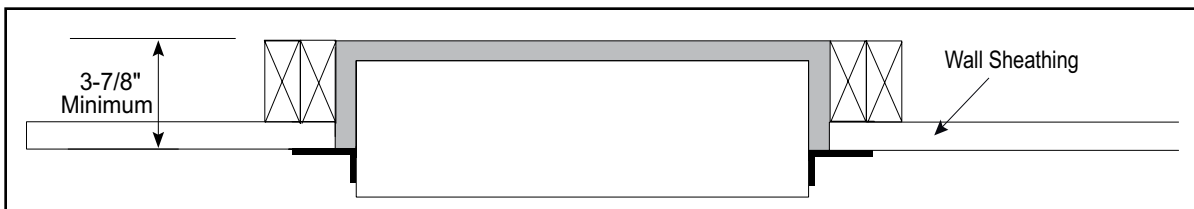
FINISHING DIMENSIONS



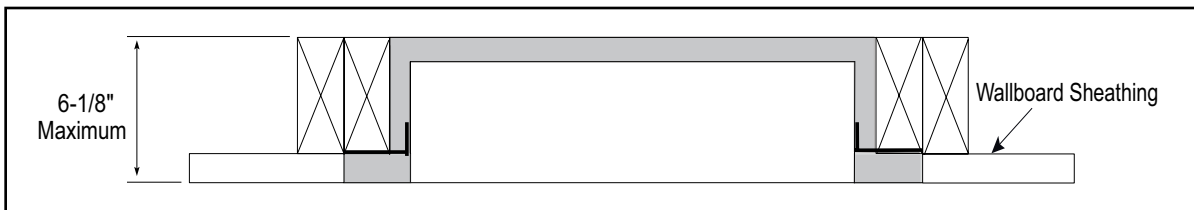
WALLBOARD SHEATHING



RECESSED 2 X 4 WALL



RECESSED 2 X 6 WALL



| PRODUCT LISTING CODES | |
|-----------------------|----------------------|
| US | CSA 22.2 No 46-M1988 |
| INTERNATIONAL | CSA 22.2 No 46-M1988 |

Product information provided is not complete and is subject to change without notice. Product installation must adhere strictly to instructions accompanying product to avoid risk of fire and potential injury.



SimpliFire — A Brand of Hearth & Home Technologies
 7571 215th Street West | Lakeville, MN 55044
 888-427-3973 | 952-985-6000 | fireplaces.com