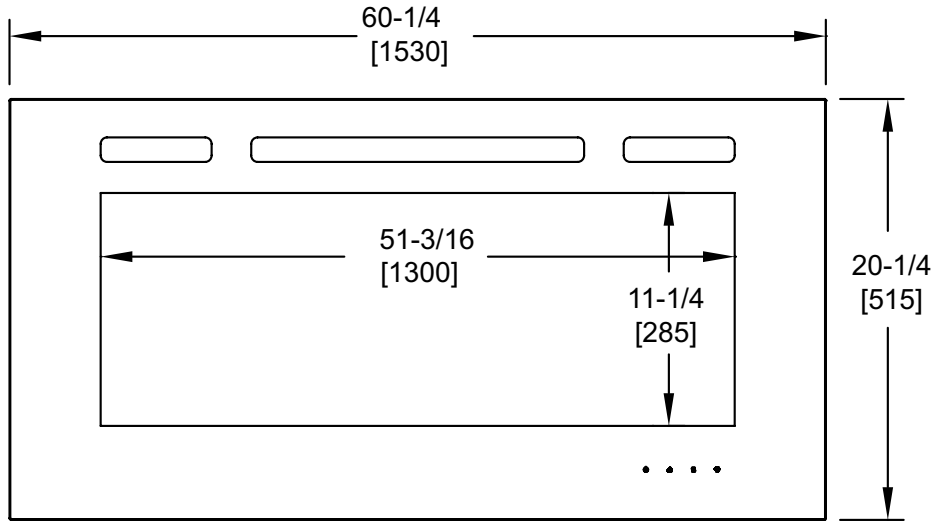




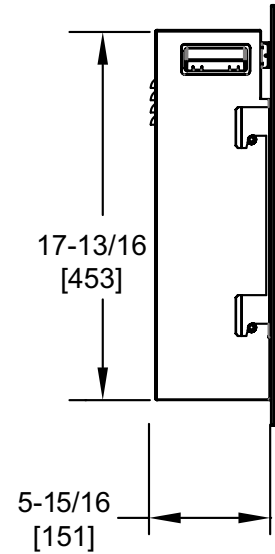
Please consult the manufacturer's installation manual for all details and requirements before making a final design layout decision.

Allusion 60" Recessed Linear Electric Fireplace

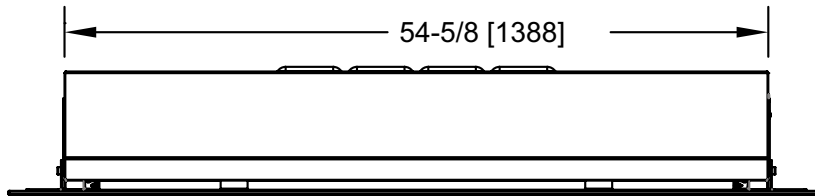
MODEL	WIDTH		HEIGHT		DEPTH	VIEWING AREA	BTUs
	FRONT	BACK	FRONT	BACK			
SF-ALL-60-BK	60-1/4" [1530]	54-5/8" [1388]	20-1/4" [515]	17-13/16" [453]	5-15/16" [151]	51-3/16" x 11-1/4" [1300 x 285]	5,000



FRONT VIEW



SIDE VIEW

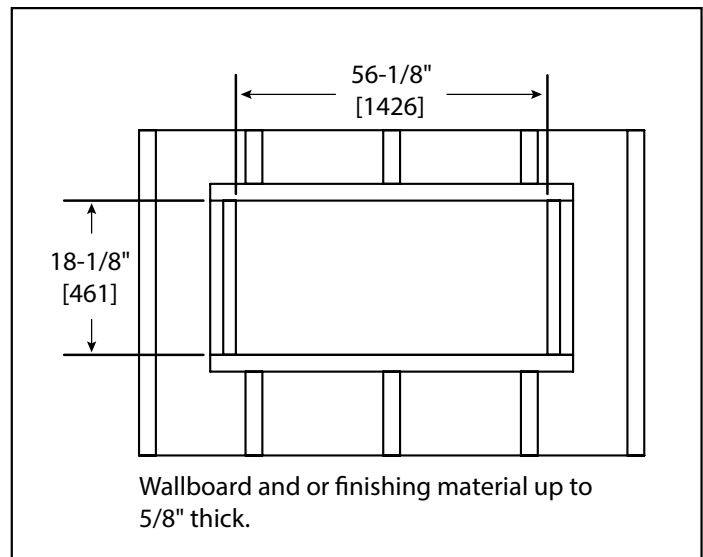


TOP VIEW

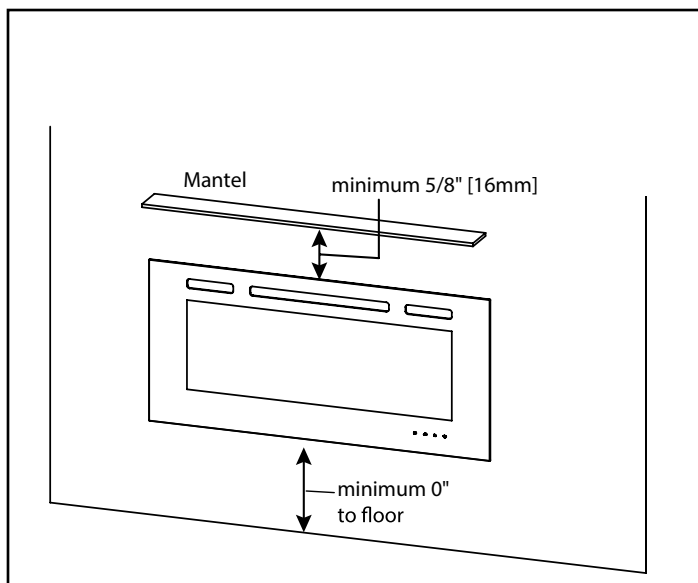
MINIMUM CLEARANCES TO COMBUSTIBLES

AREA	CLEARANCES
SIDES	0"
FLOOR	0"
TOP TO MANTEL	5/8" [16]
BACK	0"
FRONT	36" [914]

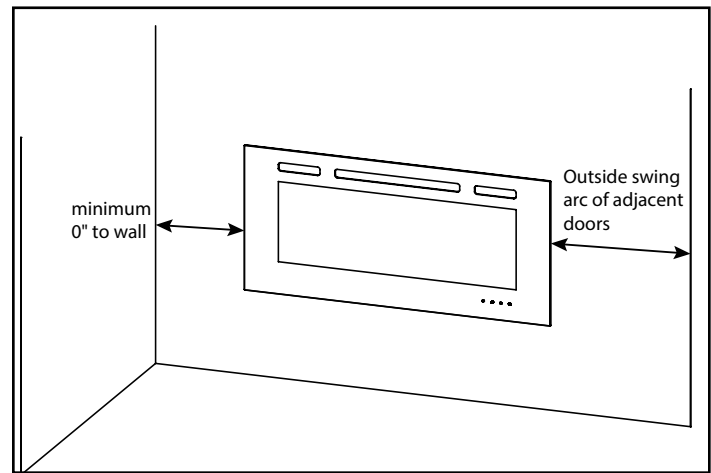
FINISHING DIMENSIONS



MANTEL PROJECTIONS



APPLIANCE LOCATION



PRODUCT LISTING CODES	
US	CSA 22.2 No 46-M1988
INTERNATIONAL	CSA 22.2 No 46-M1988

Product information provided is not complete and is subject to change without notice. Product installation must adhere strictly to instructions accompanying product to avoid risk of fire and potential injury.

Additional information can be found online at www.fireplaces.com