

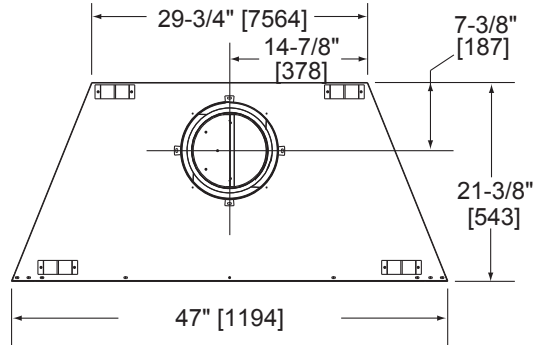


Please consult the manufacturer's installation manual for all details and requirements before making a final design layout decision.

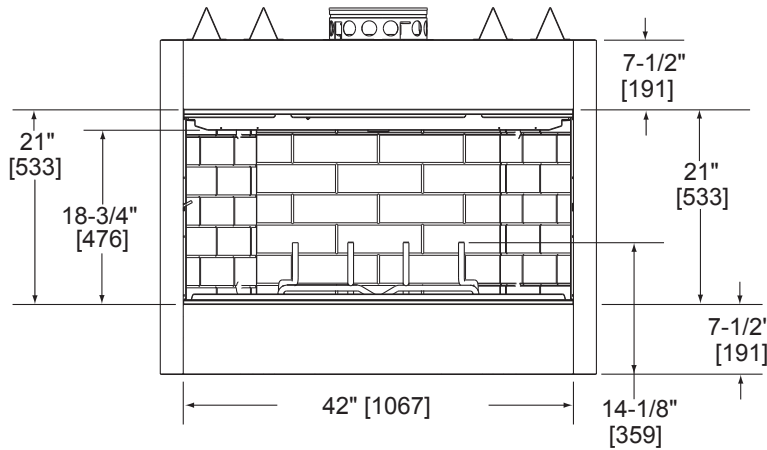
# Royal Hearth 42

Wood-burning Fireplace

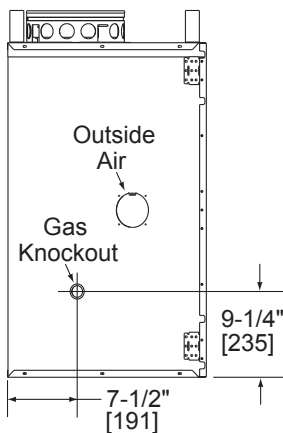
MODEL	FRONT WIDTH		BACK WIDTH		HEIGHT		DEPTH		FIREBOX OPENING
	Actual	Framing	Actual	Framing	Actual	Framing	Actual	Framing	
RH-42	47	48	29-3/4	48	39-1/2	39-3/4	21-3/8	21-1/2	42 X 18-3/4



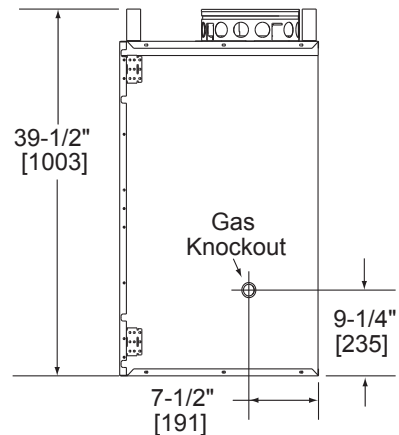
Top View



Front View

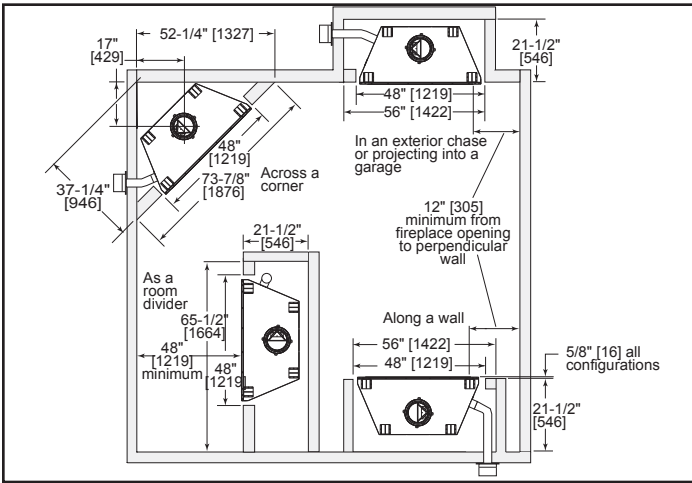


Left Side View

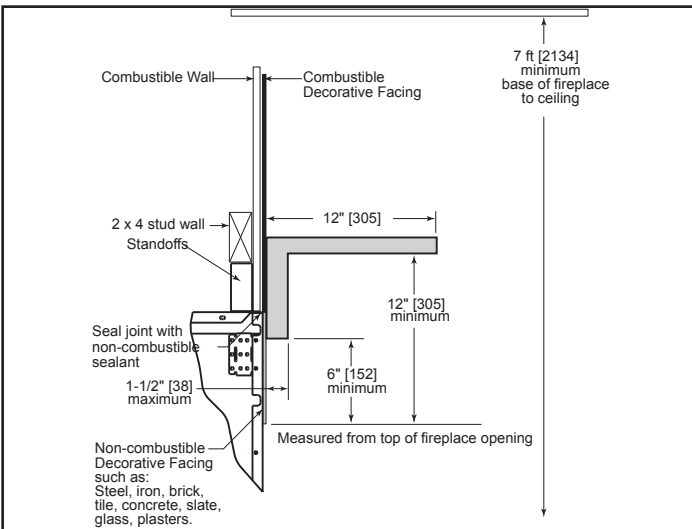


Right Side View

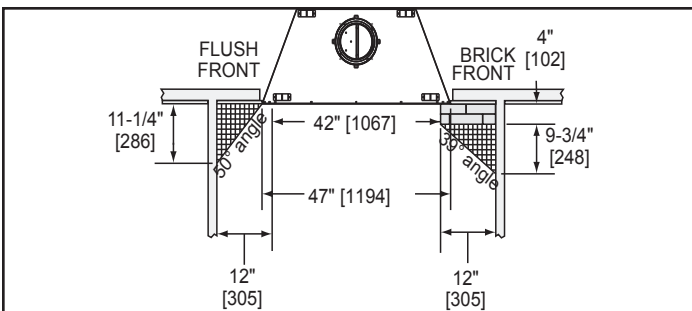
### APPLIANCE LOCATION



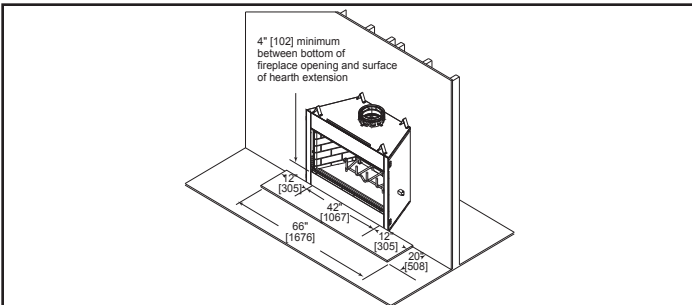
### MANTEL PROJECTIONS



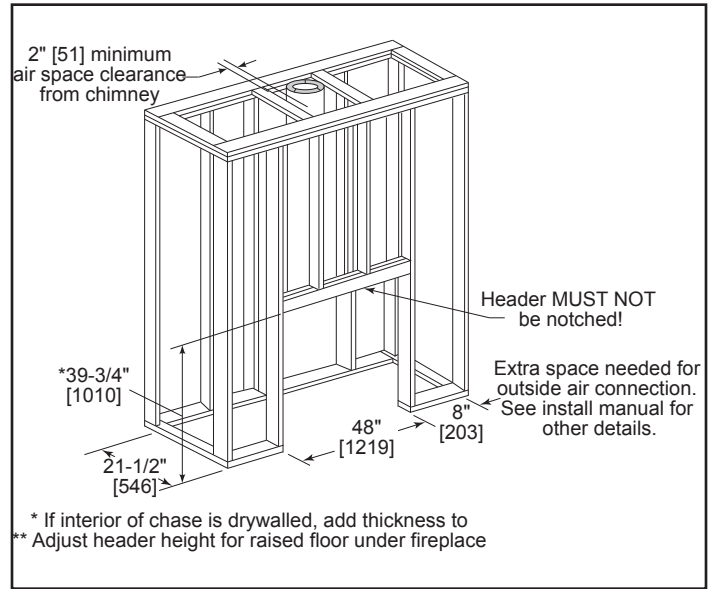
### MANTEL LEG/WALL PROJECTIONS



### HEARTH EXTENSIONS

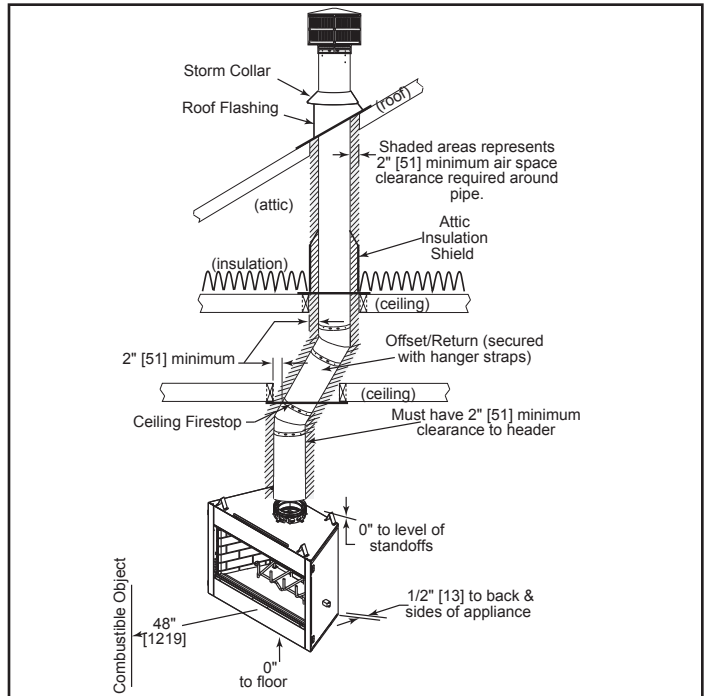


### FRAMING DIMENSIONS

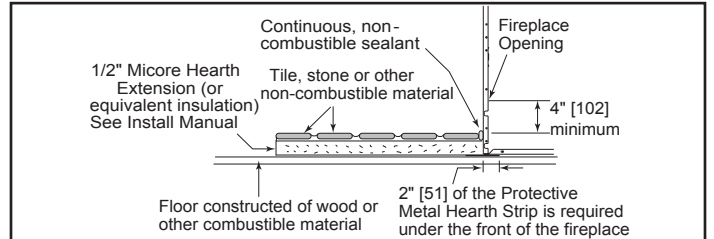


\* If interior of chase is drywalled, add thickness to  
 \*\* Adjust header height for raised floor under fireplace

### CLEARANCE TO COMBUSTIBLES



### HEARTH EXTENSION CONSTRUCTION



PRODUCT LISTING CODES	
US	UL 127
CAN	ULC-S610

Product information provided is not complete and is subject to change without notice. Product installation must adhere strictly to instructions accompanying product to avoid risk of fire and potential injury.

Additional information can be found online at [www.heatnglo.com](http://www.heatnglo.com)