

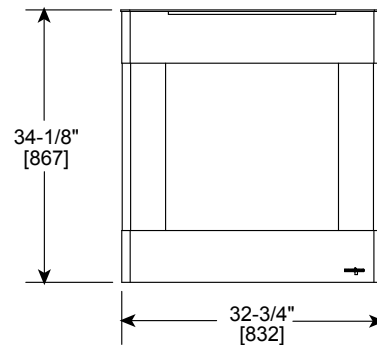
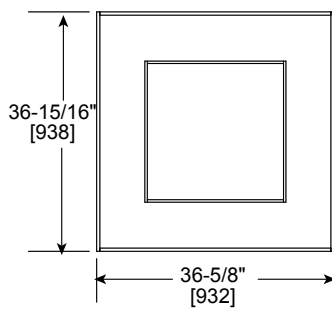
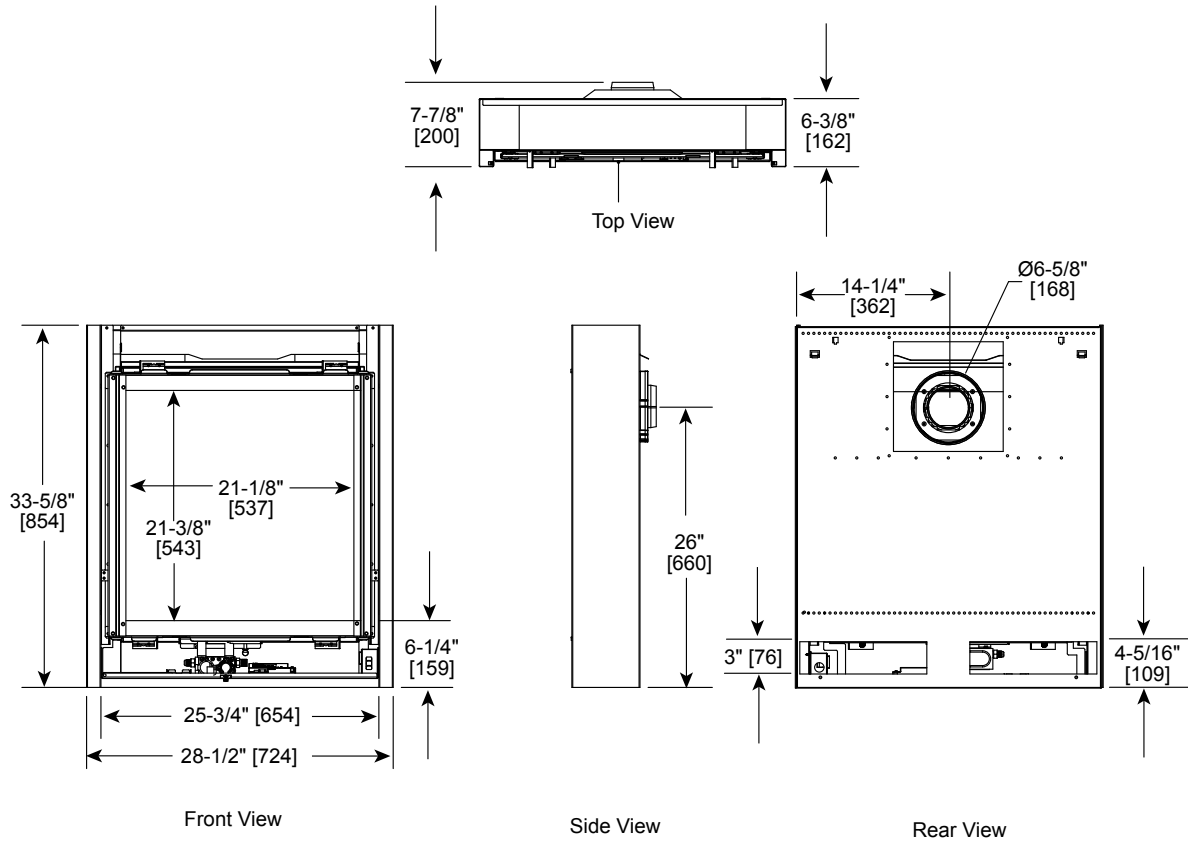


Please consult the manufacturer's installation manual for all details and requirements before making a final design layout decision.

REVO-S21

Direct Vent Gas Fireplace

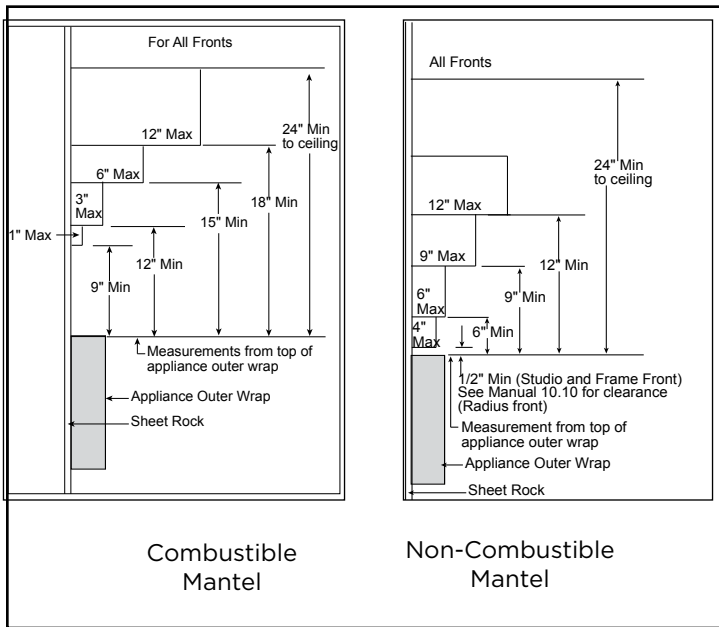
MODEL	FRONT WIDTH		BACK WIDTH		HEIGHT		DEPTH		VIEWING AREA
	Actual	Framing	Actual	Framing	Actual	Framing	Actual	Framing	
REVO-S21	28-1/2	29-3/8	28-1/2	29-3/8	33-5/8	40-1/2	7-7/8	2-5/8	21-1/8 x 21-3/8



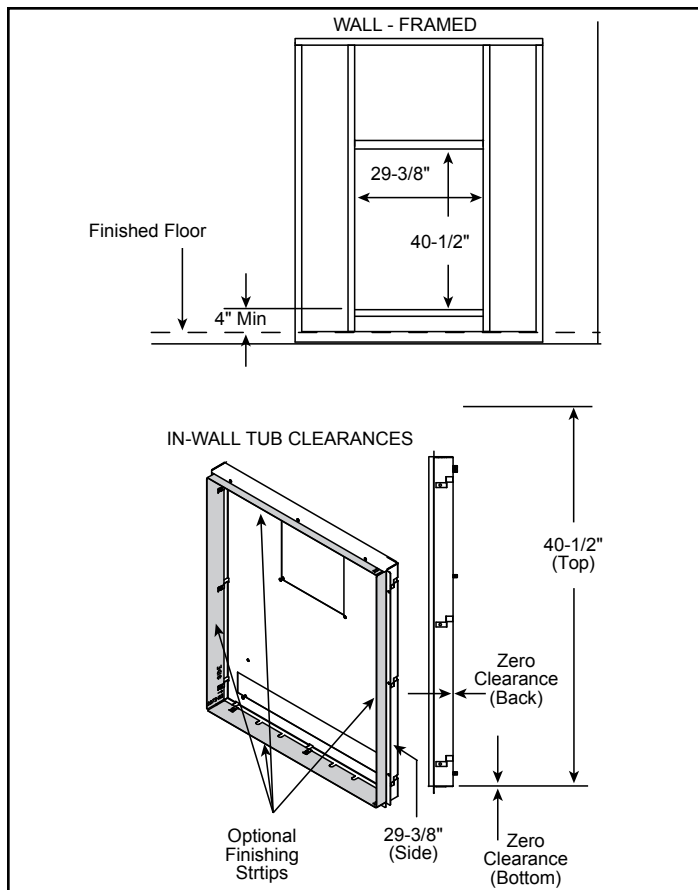
MINIMUM FIREPLACE CLEARANCES

AREA	TO COMBUSTIBLES (in inches)
CLEARANCE TO CEILING	24
FINISHED FLOOR	4
COMBUSTIBLE FLOORING	0
BEHIND APPLIANCE	0
TO ADJACENT WALL	12

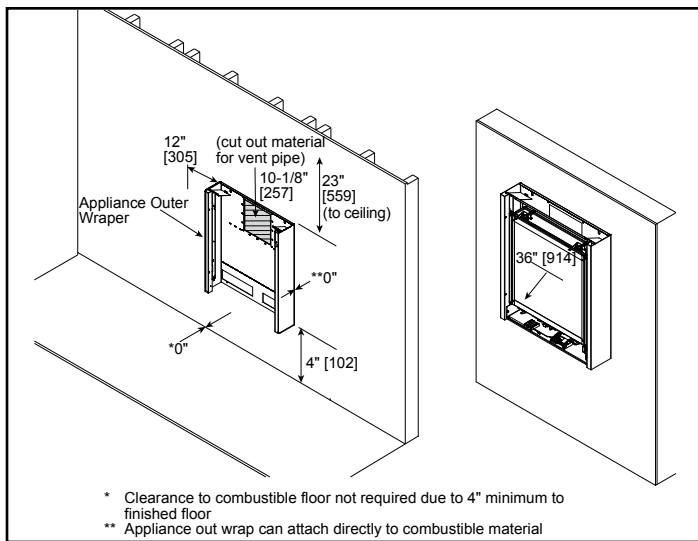
ON-WALL MANTEL PROJECTIONS



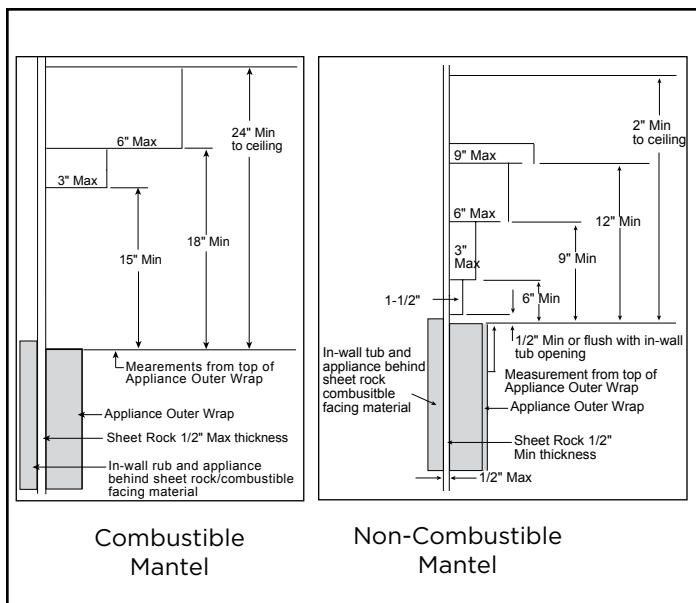
IN-WALL FRAMING DIMENSION



CLEARANCES TO COMBUSTIBLES



IN-WALL MANTEL PROJECTIONS



PRODUCT LISTING CODES	
US	ANSI Z21.88*2009
CAN	CSA 2.33a-2009
US LISTED	UL307B

Product information provided is not complete and is subject to change without notice. Product installation must adhere strictly to instructions accompanying product to avoid risk of fire and potential injury.

Additional information can be found online at www.heatnglo.com