

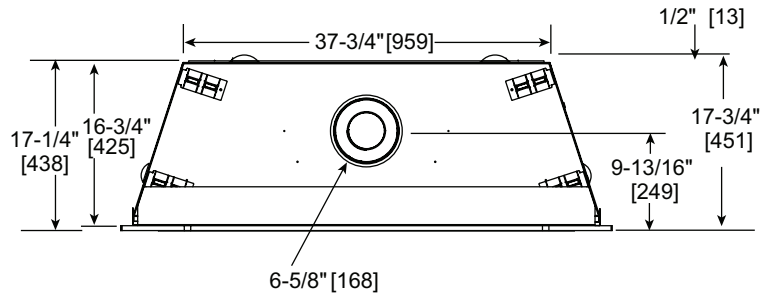


Please consult the manufacturer's installation manual for all details and requirements before making a final design layout decision.

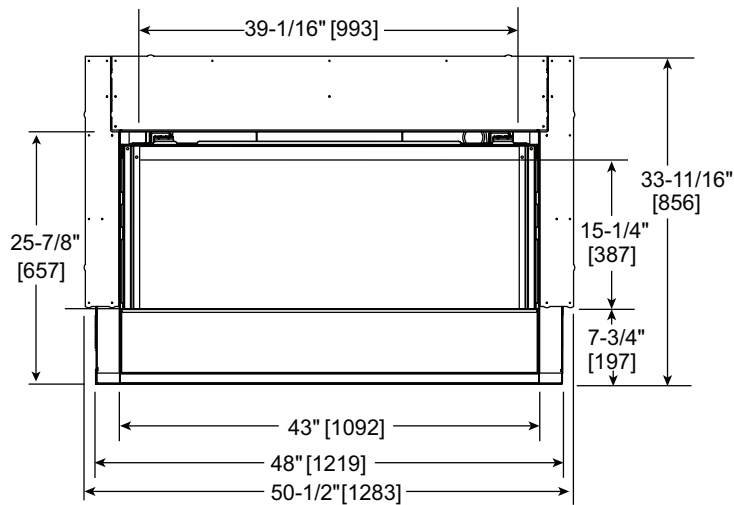
Rave 42

Direct Vent Gas Fireplace

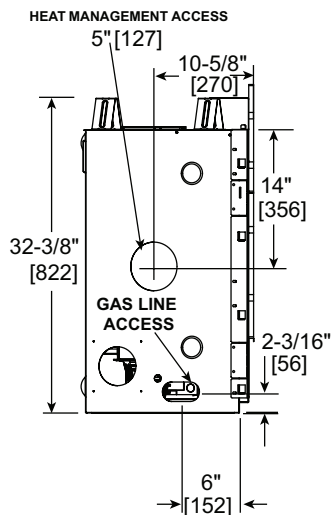
MODEL	FRONT WIDTH		BACK WIDTH		HEIGHT		DEPTH		GLASS SIZE
	Actual	Framing	Actual	Framing	Actual	Framing	Actual	Framing	
RAVE4013-IFT	48" (1219)	49"* (1245)	37-3/4" (959)	49" (1245)	33-11/16" (856)	32-3/4" (832)	17-1/4" (438)	17-3/4" (451)	39" x 15-1/4" (991 x 387)



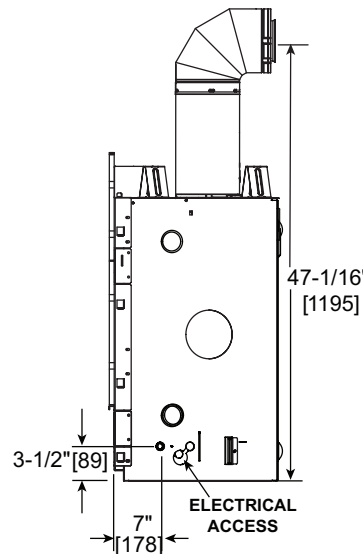
Top View



Front View



Left Side View



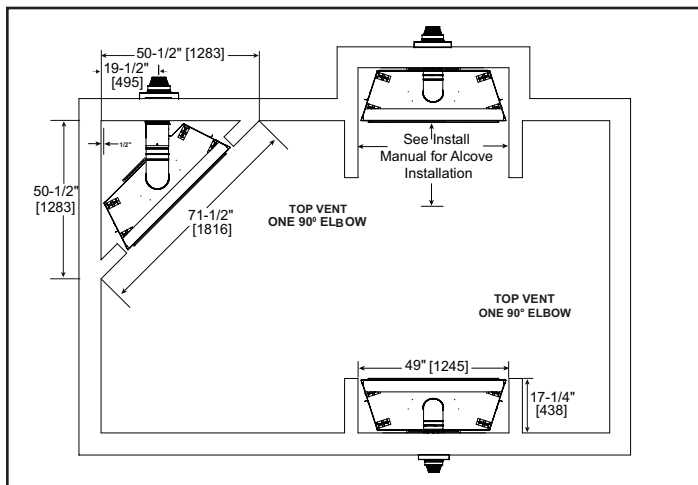
Right Side View

*Add 12" minimum for the addition of a heat management solution to each side of the unit where placing them.

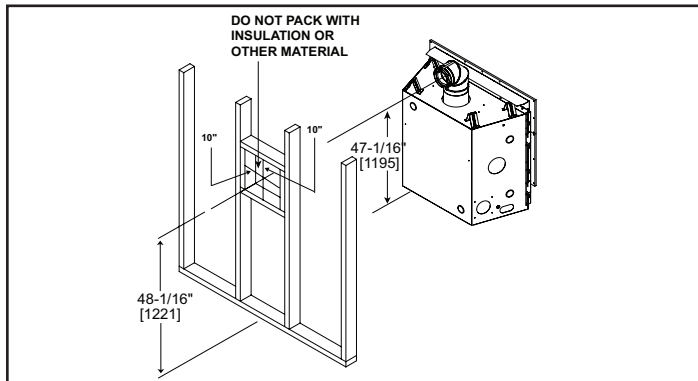
MINIMUM FIREPLACE CLEARANCES

AREA	TO COMBUSTIBLES (in inches)
CLEARANCE TO CEILING	31" (787)
COMBUSTIBLE/NON-COMBUSTIBLE FLOOR	0" (0)
BEHIND OF APPLIANCE	1/2" (0)
SIDES OF APPLIANCE	1/2" (13)
FRONT OF APPLIANCE	36" (913)

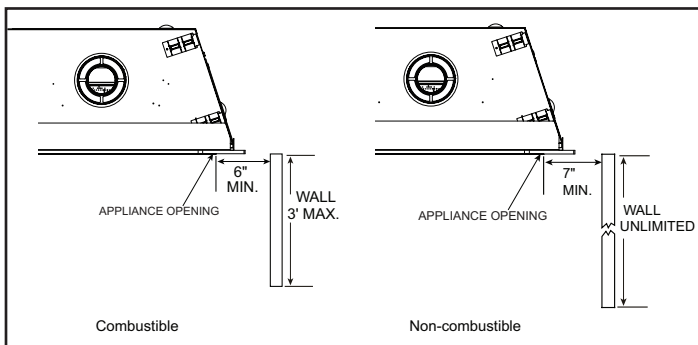
APPLIANCE LOCATION



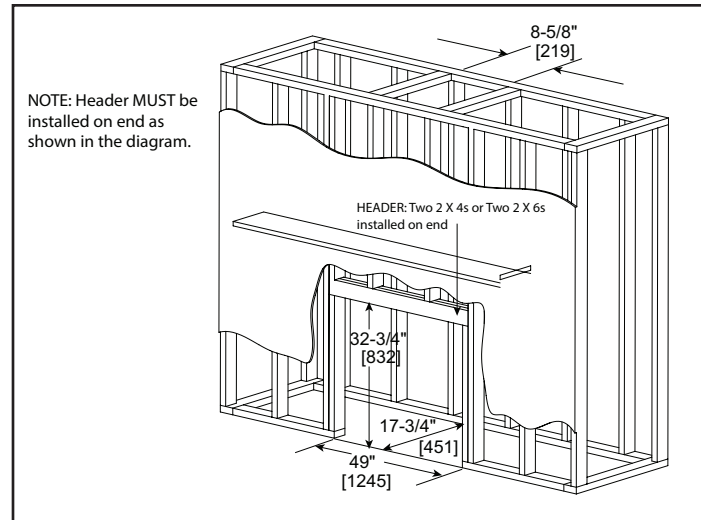
WALL PENETRATION



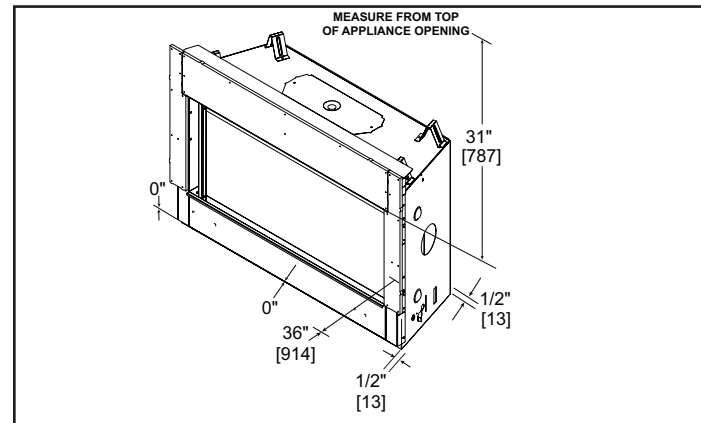
MANTEL LEG/WALL PROJECTIONS



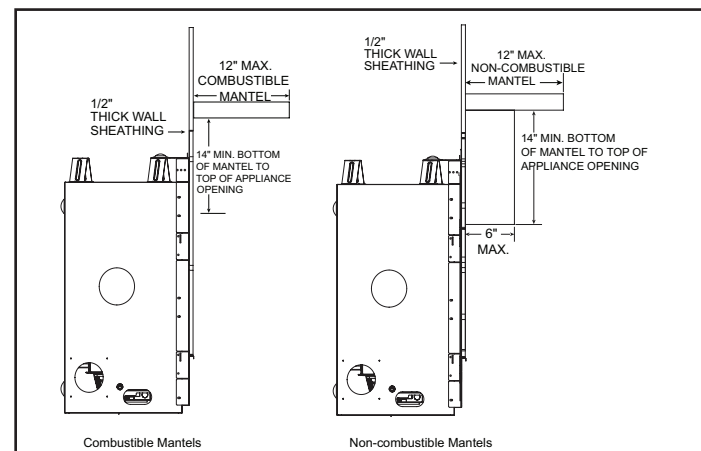
FRAMING DIMENSIONS



CLEARANCES TO COMBUSTIBLES



MANTEL PROJECTIONS



PRODUCT LISTING CODES	
US	ANSI Z21.88-2017
CAN	CSA 2.33-2017
	UL307B

Product information provided is not complete and is subject to change without notice. Product installation must adhere strictly to instructions accompanying product to avoid risk of fire and potential injury.

Additional information can be found online at www.majesticproducts.com