



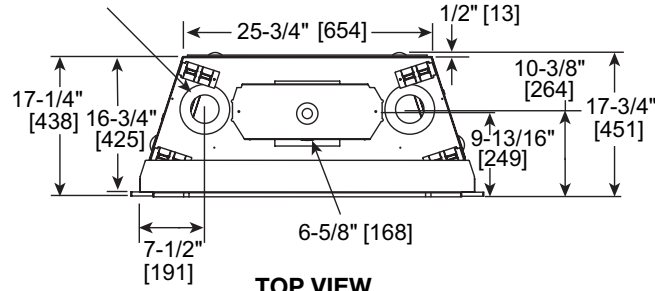
Please consult the manufacturer's installation manual for all details and requirements before making a final design layout decision.

Rave 32

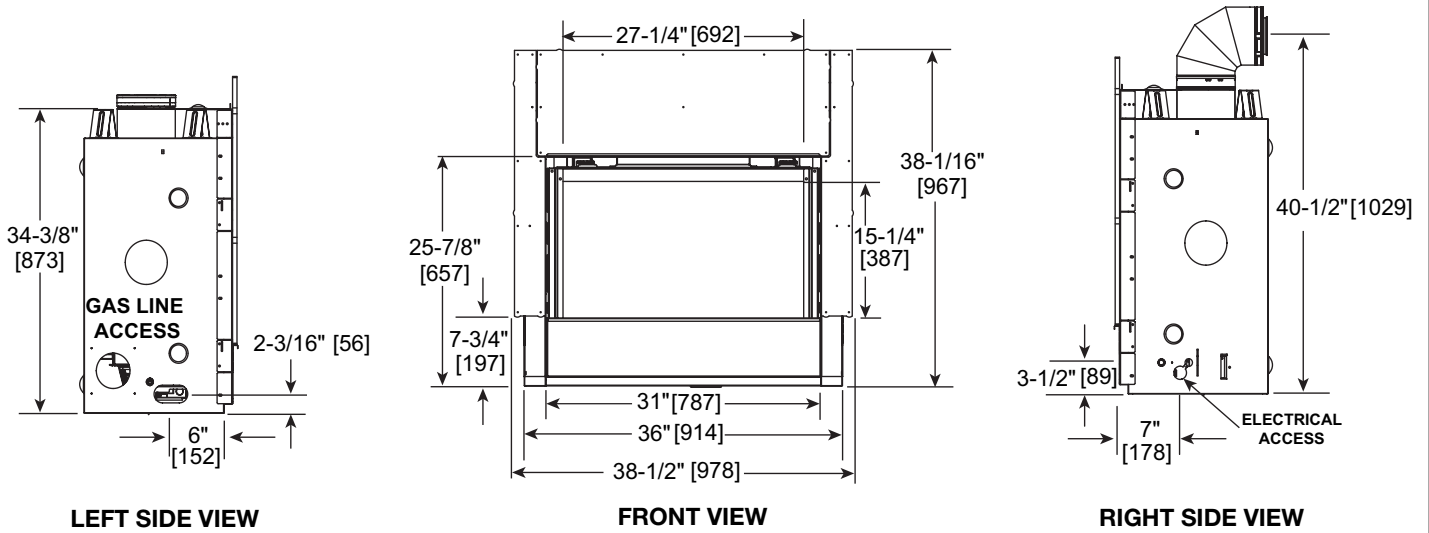
Direct Vent Gas Fireplace

MODEL	FRONT WIDTH		BACK WIDTH		HEIGHT		DEPTH		GLASS SIZE
	Actual	Framing	Actual	Framing	Actual	Framing	Actual	Framing	
RAVE32-IFT-B	36" (914)	37" (940)	25-3/4" (654)	37" (940)	38-1/16" (967)	36-1/2" (927)	17-3/4" (451)	17-3/4" (451)	27-1/4" x 15-1/4" (692 x 387)

HEAT MANAGEMENT ACCESS



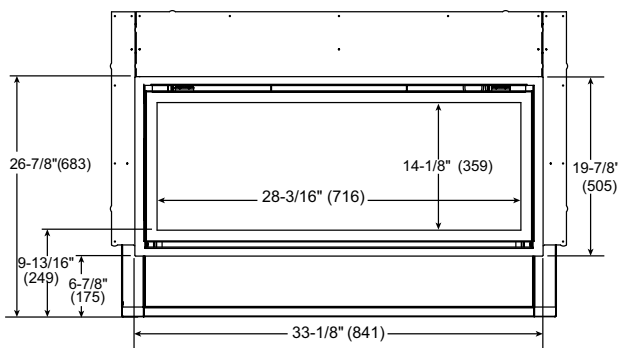
TOP VIEW



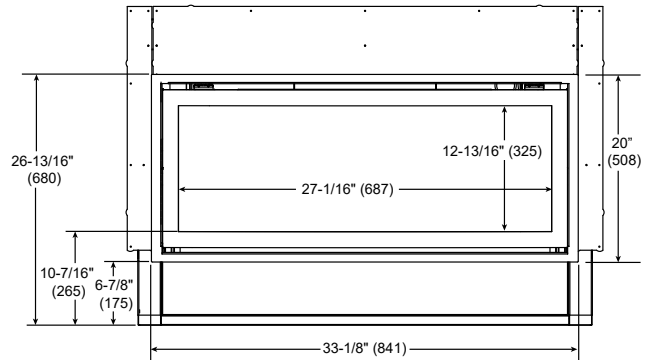
LEFT SIDE VIEW

FRONT VIEW

RIGHT SIDE VIEW



CLEAN FACE TRIM



ILLUSION FRONT

