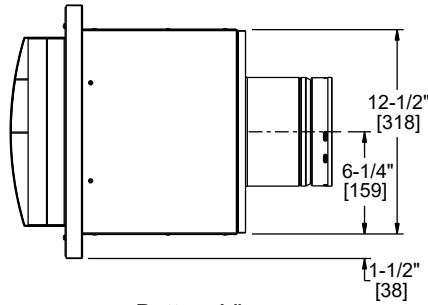




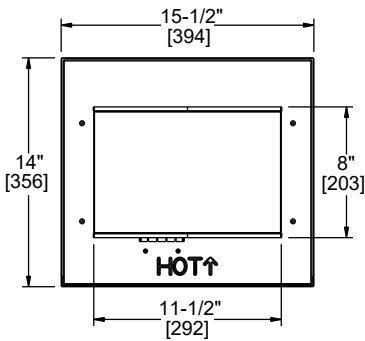
Please consult the manufacturer's installation manual for all details and requirements before making a final design layout decision.

Power Vent Low Profile & Vertical

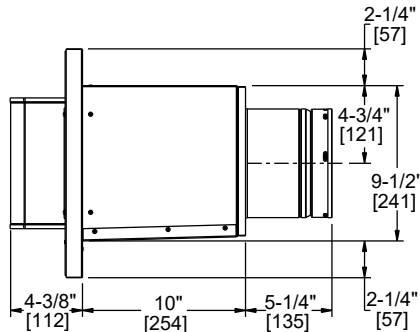
MODEL	WIDTH		HEIGHT		DEPTH
	ACTUAL	FRAMING	ACTUAL	FRAMING	ACTUAL
Low Profile Power Vent PVLP-SLP	15-1/2" [394]	13" [330]	14" [356]	10" [254]	14-3/8" [365]



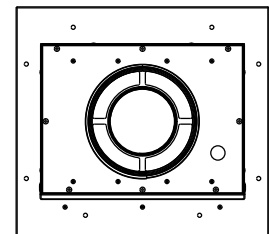
Bottom View



Front View

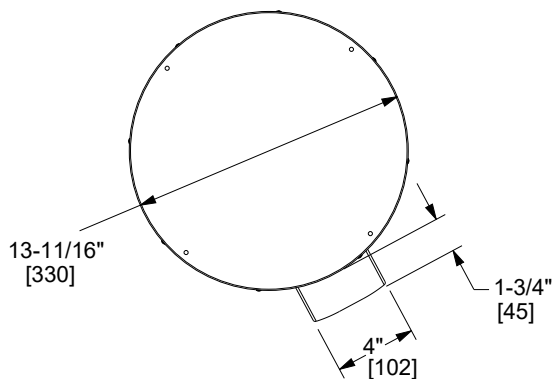


Side View

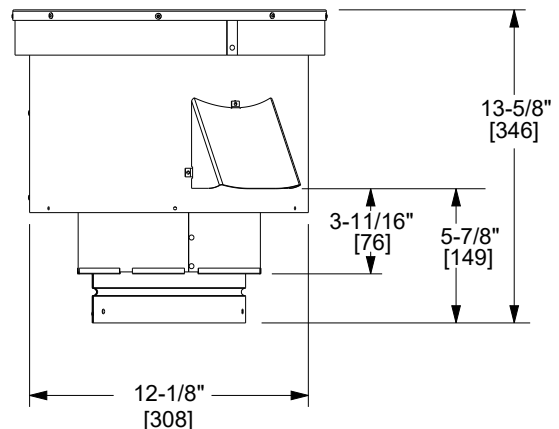


Rear View

MODEL	DIAMETER	HEIGHT
	ACTUAL	ACTUAL
Vertical Power Vent PVV-SLP	13-11/16" [330]	13-5/8" [346]



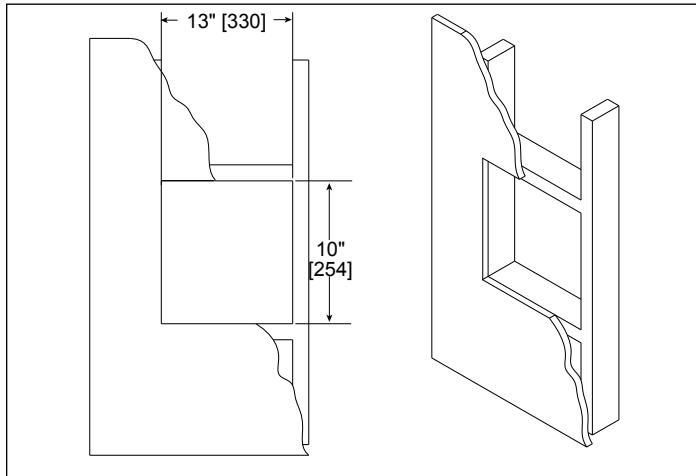
Top View



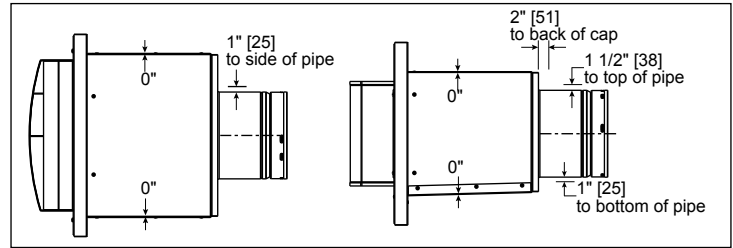
Side View

LOW PROFILE POWER VENT

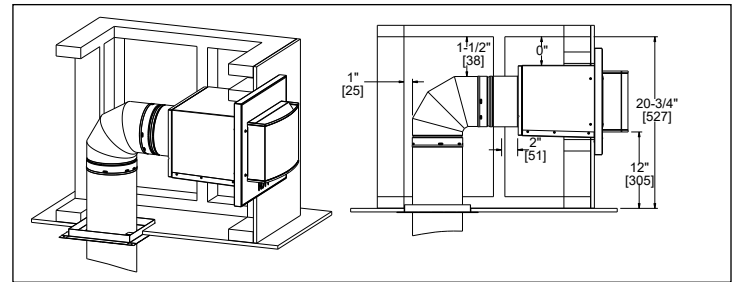
Framing Dimensions



Clearances to Combustibles



Roof-Top Installation



VERTICAL POWER VENT

Vent Termination Min. Clearances

ROOF PITCH	H (MIN.) IN.
Flat to 6/12	33-1/2**
Over 6/12 to 7/12	35**
Over 7/12 to 8/12	36**
Over 8/12 to 9/12	37-1/2**
Over 9/12 to 10/12	39**
Over 10/12 to 11/12	40-1/2"
Over 11/12 to 12/12	42-1/2"
Over 12/12 to 14/12	46"
Over 14/12 to 16/12	50"
Over 16/12 to 18/12	54"
Over 18/12 to 20/12	58"
Over 20/12 to 21/12	60"

* H minimum may vary depending on regional snowfall. Refer to local codes.

Min. Height from Roof to Lowest Discharge Opening

ROOF PITCH	H (MIN.) IN.
Flat to 6/12	25**
Over 6/12 to 7/12	23**
Over 7/12 to 8/12	21**
Over 8/12 to 9/12	19**
Over 9/12 to 10/12	17**
Over 10/12 to 11/12	16"
Over 11/12 to 12/12	15"
Over 12/12 to 14/12	15"
Over 14/12 to 16/12	15"
Over 16/12 to 18/12	15"
Over 18/12 to 20/12	15"
Over 20/12 to 21/12	15"

* H minimum may vary depending on regional snowfall. Refer to local codes.

Staggered Termination Caps

A	B
6" (minimum) up to 20" 152 mm/508 mm	18" minimum 457 mm
20" and over	0" minimum

* If using decorative cap cover(s), this distance may need to be increased. Refer to the installation instructions supplied with the decorative cap cover.

** In a staggered installation with both gas and wood or fuel oil terminations, the wood or fuel oil termination cap must be higher than the gas termination cap.

Min. Dimensions Through Chase Top

