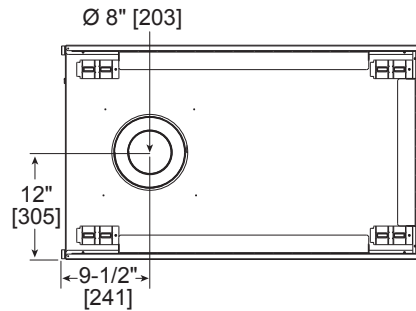




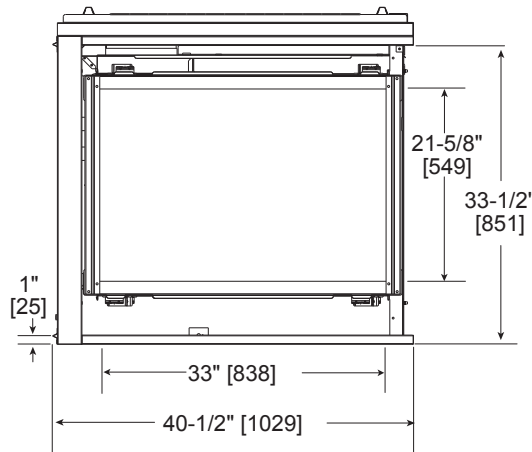
Please consult the manufacturer's installation manual for all details and requirements before making a final design layout decision.

Pier-36TR-IFT Direct Vent Gas Fireplace

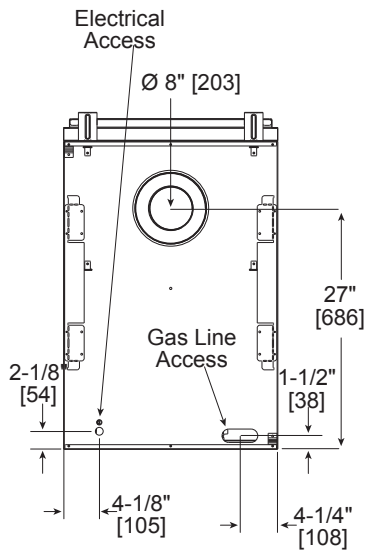
MODEL	FRONT WIDTH		BACK WIDTH		HEIGHT		DEPTH		GLASS SIZE 33" x 21-5/8" [838 X 549]
	Actual	Framing	Actual	Framing	Actual	Framing	Actual	Framing	
Pier-36TR-IFT	40-1/2" [1029]	40" [1016]	40-1/2" [1029]	40" [1016]	38" [965]	38-1/8" [968]	24" [610]	23" [584]	



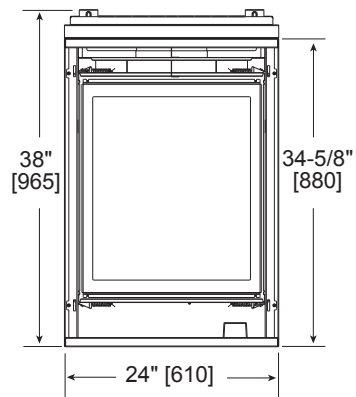
Top View



Front View



Left View

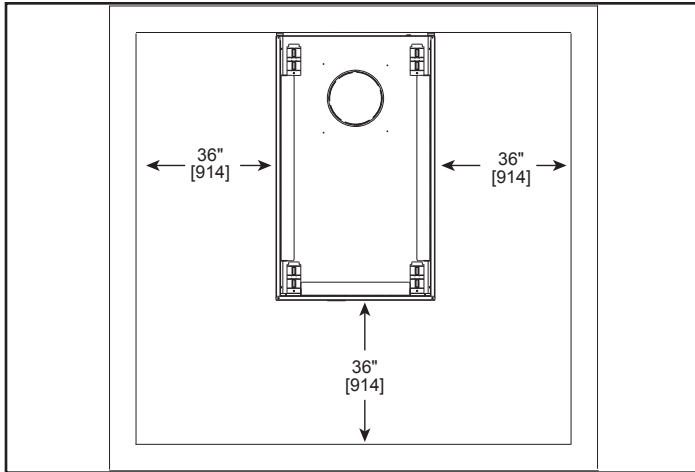


Right View

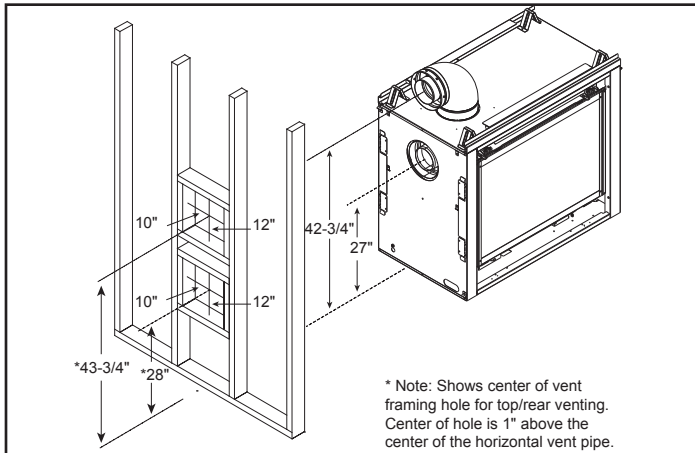
MINIMUM FIREPLACE CLEARANCES

AREA	TO COMBUSTIBLES
CLEARANCE TO CEILING	31
COMBUSTIBLE/NON-COMBUSTIBLE FLOOR	0
ENDS OF APPLIANCE	1/2
GLASS SIDES OF APPLIANCE	36

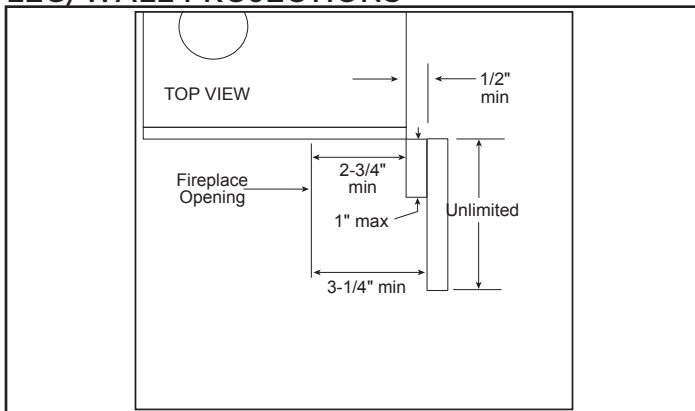
APPLIANCE LOCATION



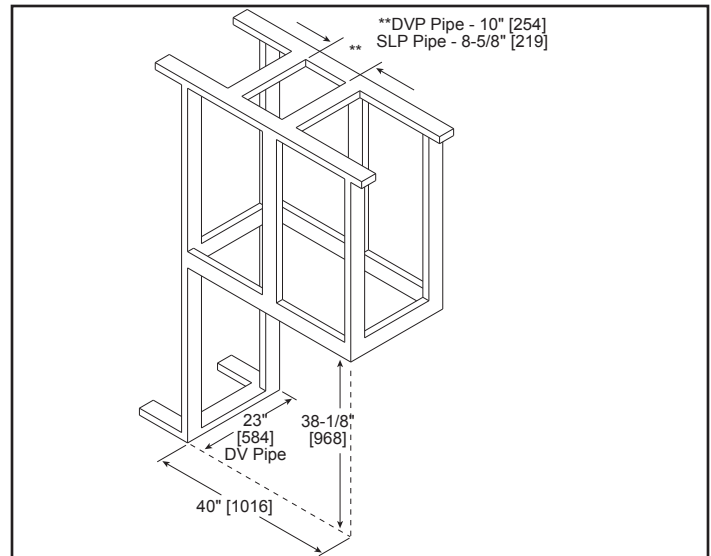
WALL PENETRATION



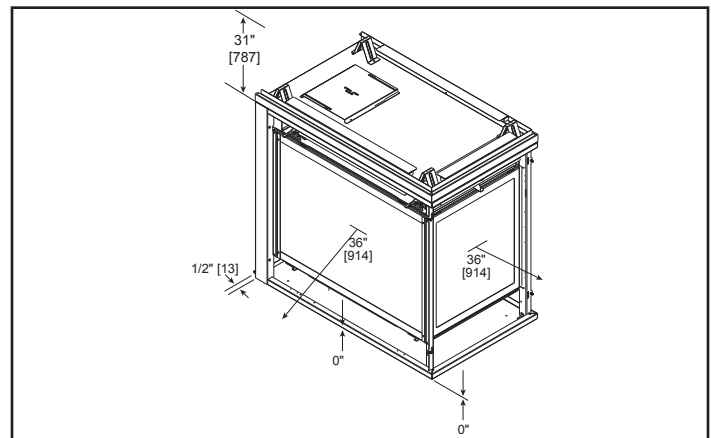
LEG/WALL PROJECTIONS



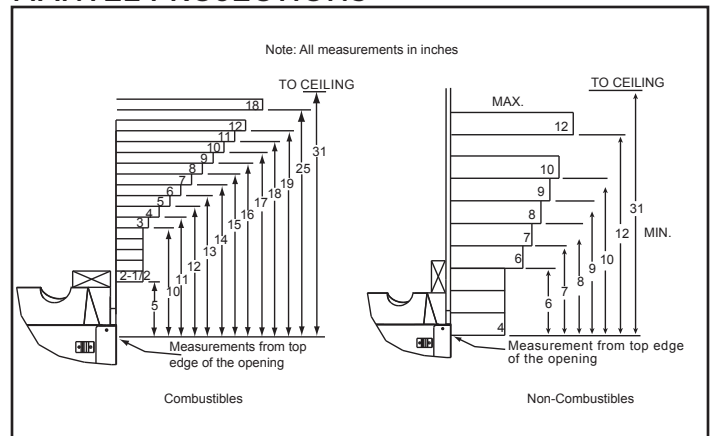
FRAMING DIMENSIONS



CLEARANCES TO COMBUSTIBLES



MANTEL PROJECTIONS



PRODUCT LISTING CODES	
US	ANSI Z21.88-2014
CAN	CSA 2.33-2014
	UL307B

Product information provided is not complete and is subject to change without notice. Product installation must adhere strictly to instructions accompanying product to avoid risk of fire and potential injury.

Additional information can be found online at www.heatnglo.com