

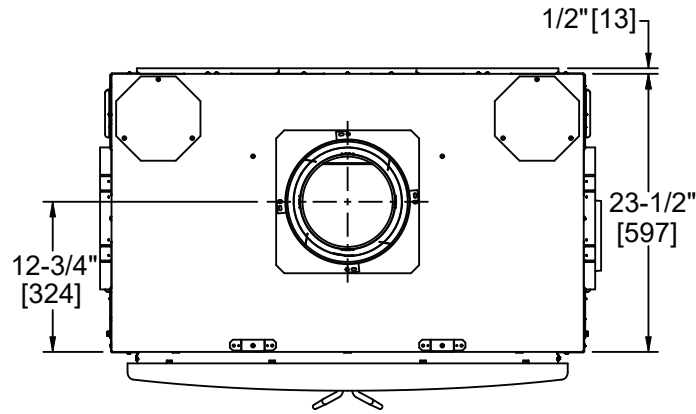


Please consult the manufacturer's installation manual for all details and requirements before making a final design layout decision.

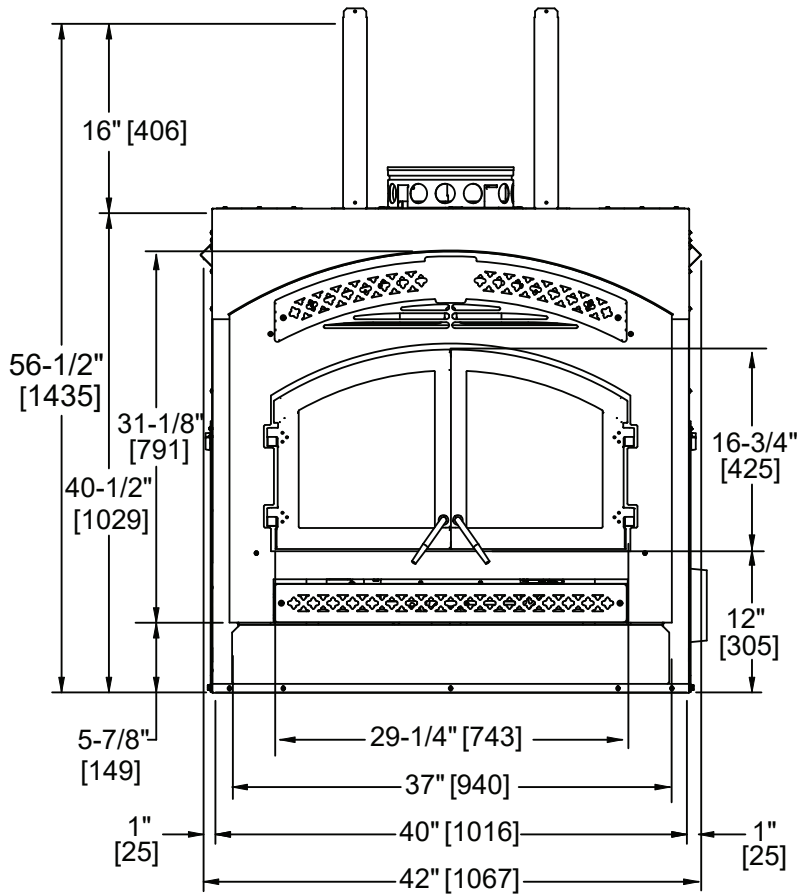
Northstar-D

Wood-burning Fireplace

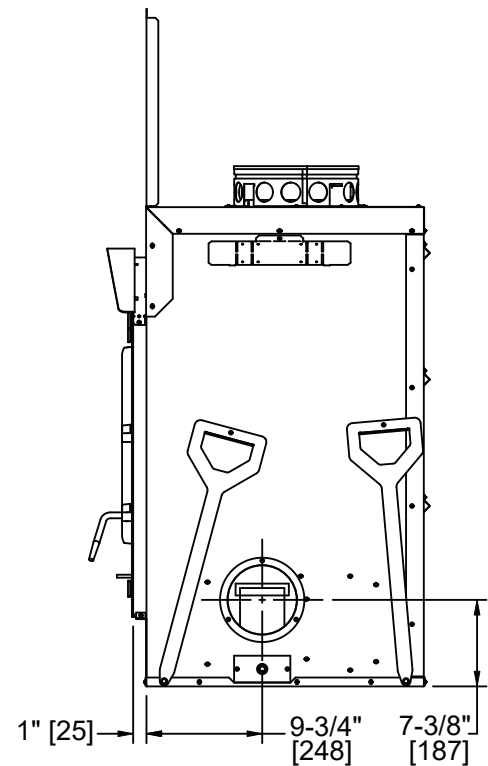
MODEL	FRONT WIDTH		BACK WIDTH		HEIGHT		DEPTH		FIREBOX OPENING
	Actual	Framing	Actual	Framing	Actual	Framing	Actual	Framing	
NORTHSTAR-D	40	42-1/2	40	42-1/2	40-1/2	56-3/4	23-1/2	24*	37 x 31-1/8



Top View



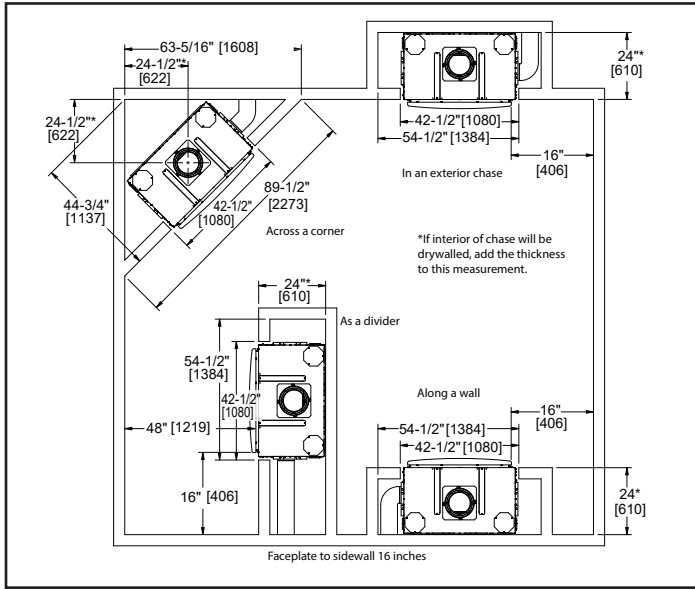
Front View



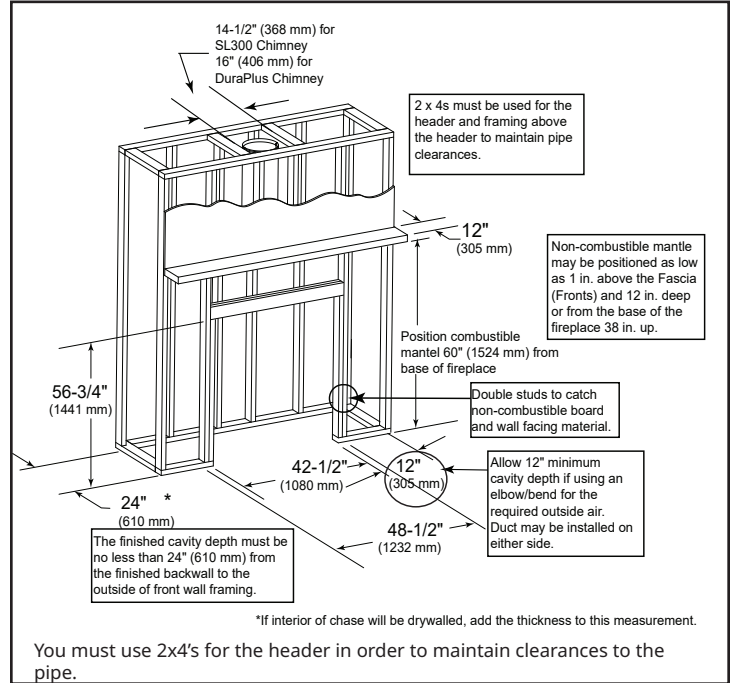
Right Side View

*If interior of chase will be drywalled, add the thickness to this measurement.

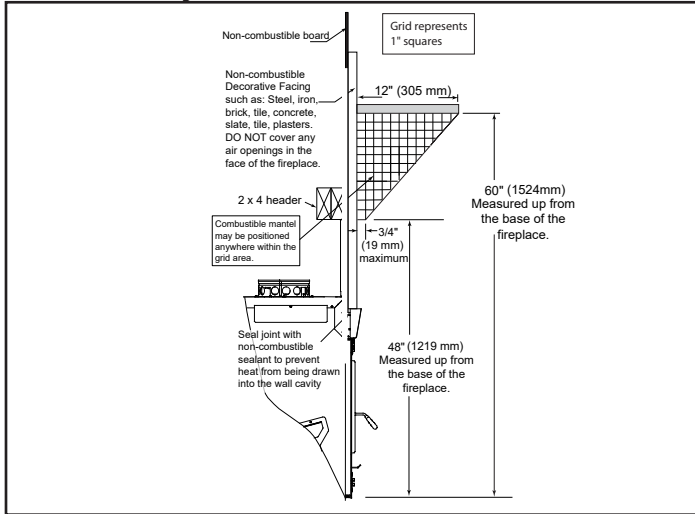
APPLIANCE LOCATION



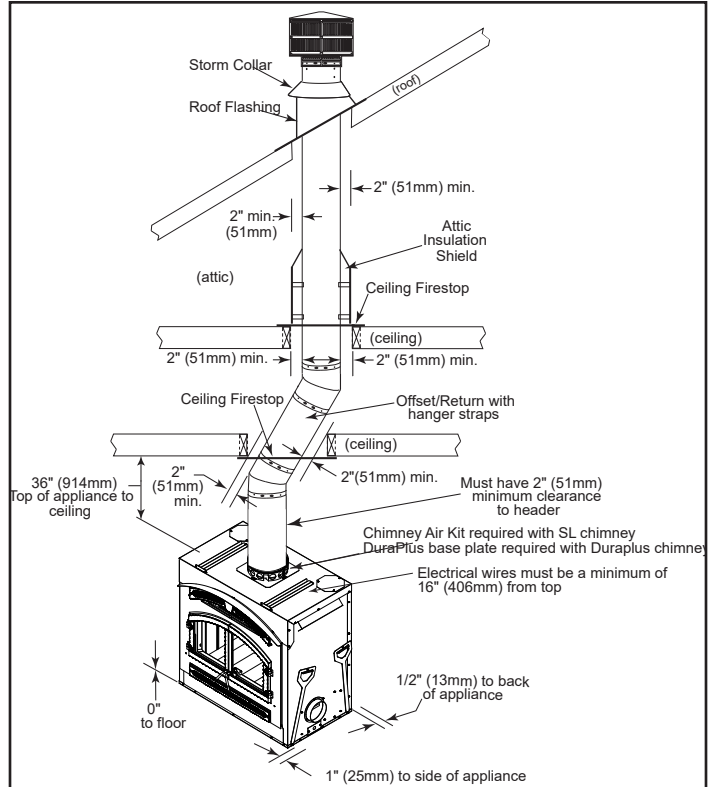
FRAMING DIMENSIONS



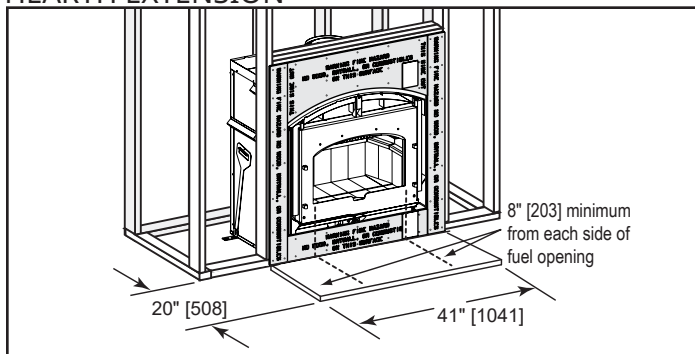
MANTEL PROJECTIONS



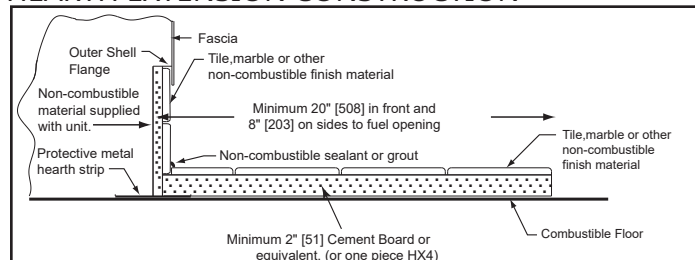
CLEARANCE TO COMBUSTIBLES



HEARTH EXTENSION



HEARTH EXTENSION CONSTRUCTION



See install manual figure 7.8 for raised hearth extension.

PRODUCT LISTING CODES	
US	UL 127
CAN	ULC-S610-M87

Product information provided is not complete and is subject to change without notice. Product installation must adhere strictly to instructions accompanying product to avoid risk of fire and potential injury.

Additional information can be found online at www.heatnglo.com

HEAT & GLO
No one builds a better fire

Lakeville, MN Phone: (888) 427-3973
Web: www.heatnglo.com

