

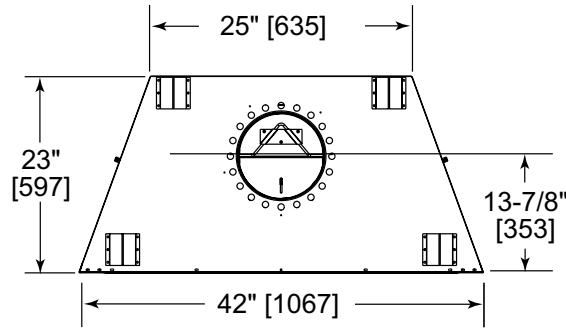


Please consult the manufacturer's installation manual for all details and requirements before making a final design layout decision.

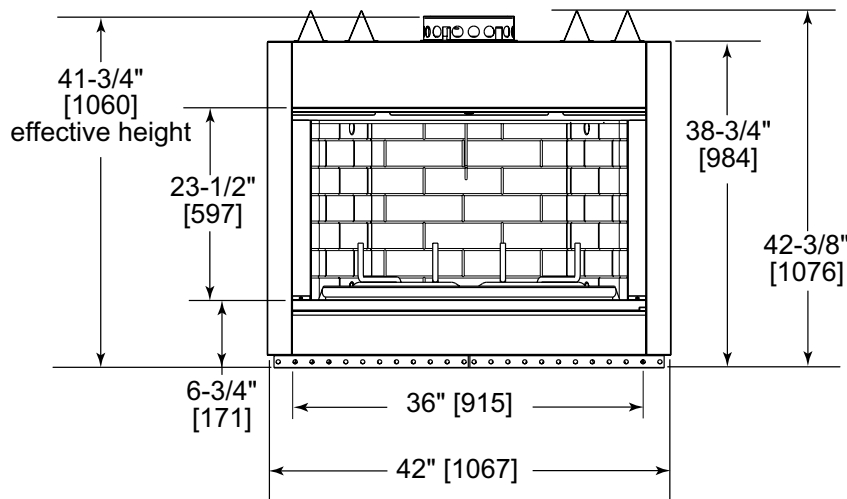
Montana 36

Outdoor Wood Fireplace

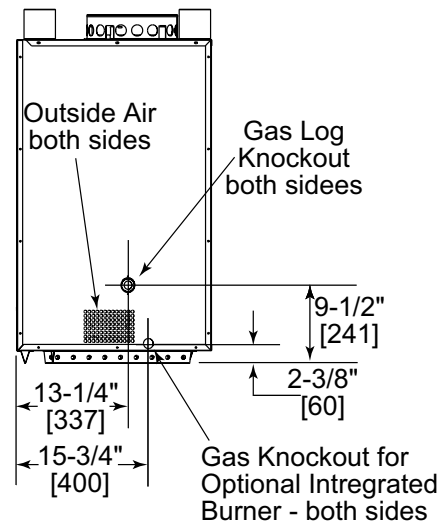
| MODEL | FRONT WIDTH | | BACK WIDTH | | HEIGHT | | DEPTH | | FIREBOX OPENING |
|------------|-------------|---------|------------|---------|--------|---------|--------|---------|-----------------|
| | Actual | Framing | Actual | Framing | Actual | Framing | Actual | Framing | |
| MONTANA-36 | 42 | 43 | 25 | 43 | 41-3/4 | 42-3/8 | 23 | 24-1/8 | 36 x 23-1/2 |



Top View

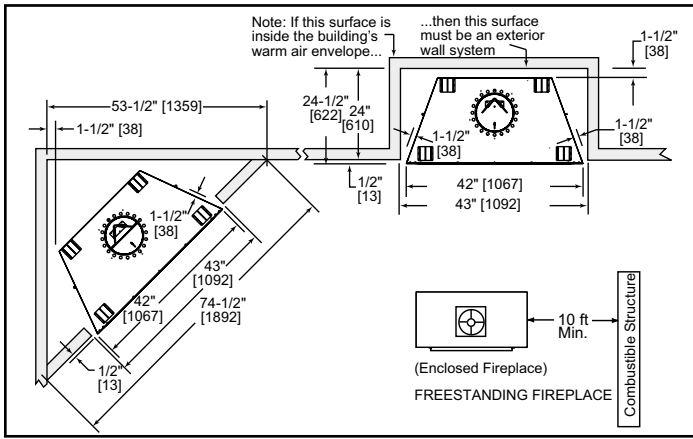


Front View

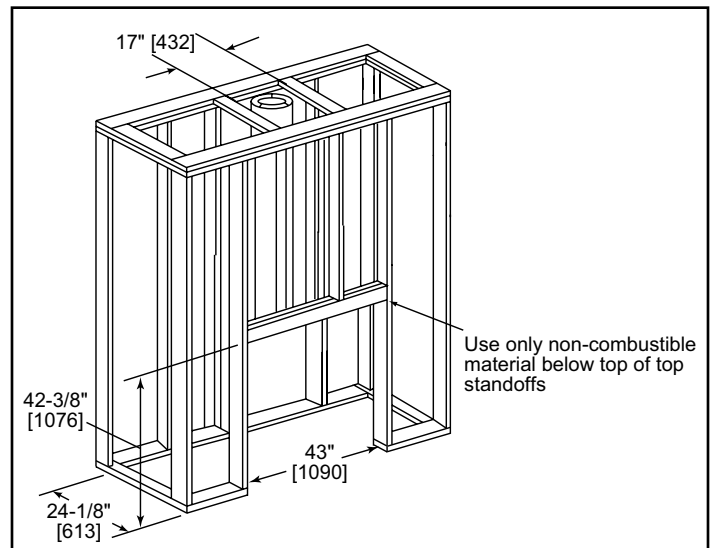


Side View

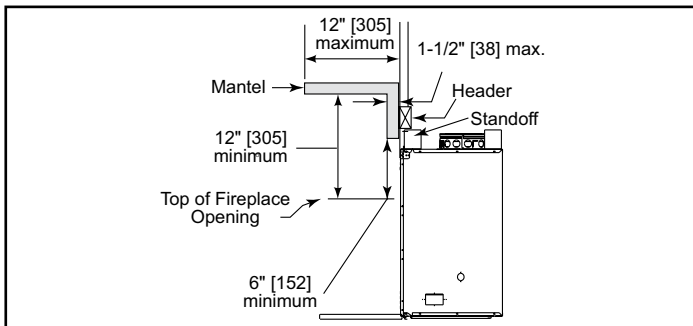
APPLIANCE LOCATION



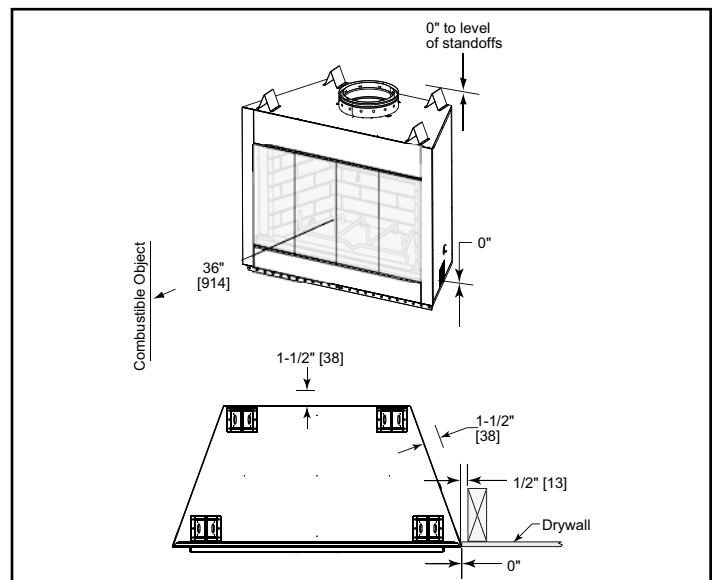
FRAMING DIMENSIONS



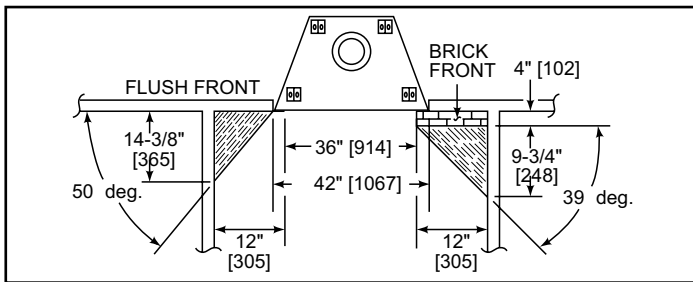
MANTEL PROJECTIONS



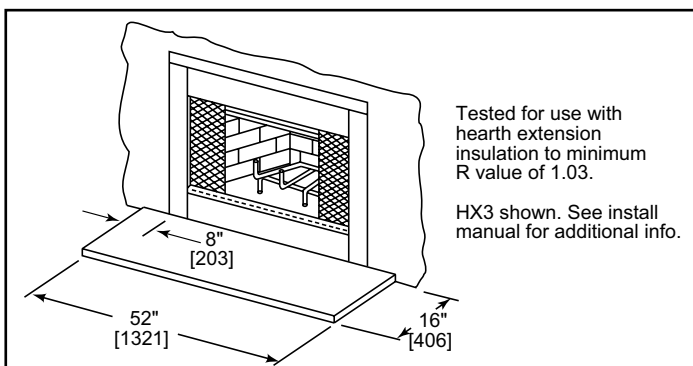
CLEARANCES TO COMBUSTIBLES



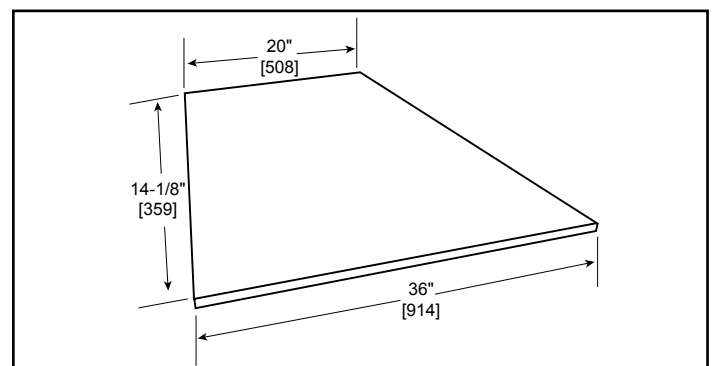
MANTEL LEG/WALL PROJECTIONS



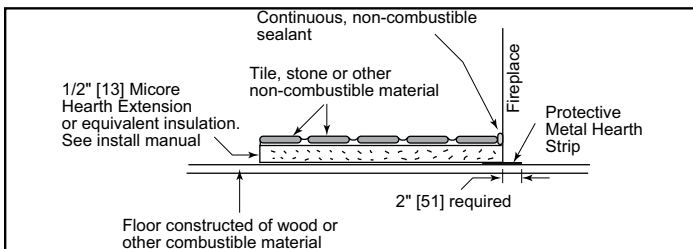
HEARTH EXTENSION



HEARTH DIMENSIONS



HEARTH EXTENSION CONSTRUCTION



| PRODUCT LISTING CODES | |
|-----------------------|--------------|
| US | UL127 |
| CAN | ULC-S610-M87 |

Product information provided is not complete and is subject to change without notice. Product installation must adhere strictly to instructions accompanying product to avoid risk of fire and potential injury.

Additional information can be found online at www.fireplaces.com