

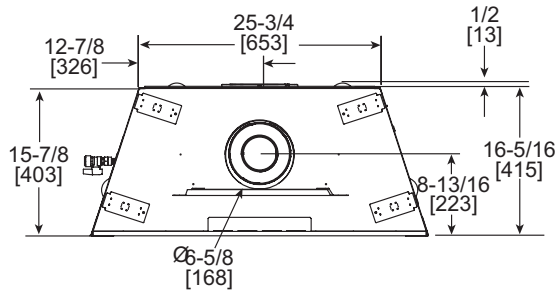


Please consult the manufacturer's installation manual for all details and requirements before making a final design layout decision.

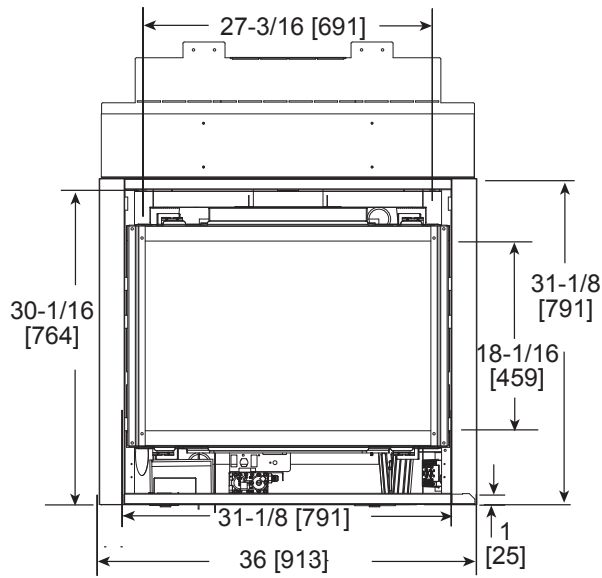
Metro 32

Direct Vent Gas Fireplace

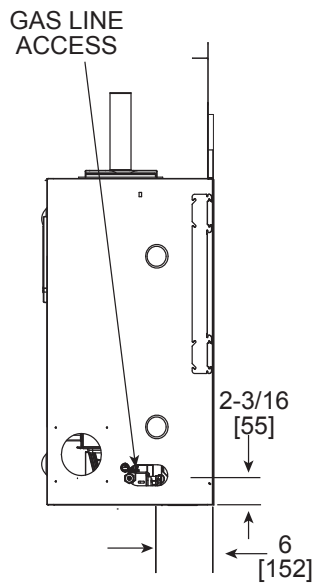
MODEL	FRONT WIDTH		BACK WIDTH		HEIGHT		DEPTH		GLASS SIZE
	Actual	Framing	Actual	Framing	Actual	Framing	Actual	Framing	
SL-550METRO	36	37	25-3/4	37	34-3/8	43	16-5/16	16-1/4	27-3/16 x 18-1/16



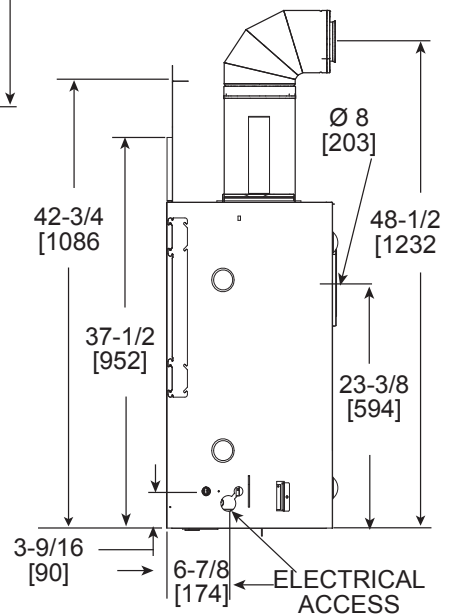
TOP VIEW



FRONT VIEW



LEFT VIEW



RIGHT VIEW

MINIMUM FIREPLACE CLEARANCES

AREA	TO COMBUSTIBLES (in inches)
CLEARANCE TO CEILING	32
NON-COMBUSTIBLE FLOOR	0
COMBUSTIBLE FLOORING	0
BEHIND APPLIANCE	1/2
SIDES OF APPLIANCE	1/2
FRONT OF APPLIANCE	36

APPLIANCE LOCATION

	A	B	C	D	E	F	G	H	I	J	K	L	M	N
in.	42	37	59-1/2	See Note	1 1/2	44	62-1/4	16-1/4	48-1/2	68-3/4	15-1/6	7-1/2	7-1/8	
mm	1067	940	1511	Note	25	13	1118	1581	413	1232	1746	383	191	181

WALL PENETRATION

	A*	B*	C	D
in.	50	24-3/8	49	23-3/8
mm	1270	619	1245	594

* Shows center of vent framing hole for top or rear venting. The center of the hole is 1 in. (25.4 mm) above the center of the horizontal vent pipe.

MANTLE LEG/WALL PROJECTIONS

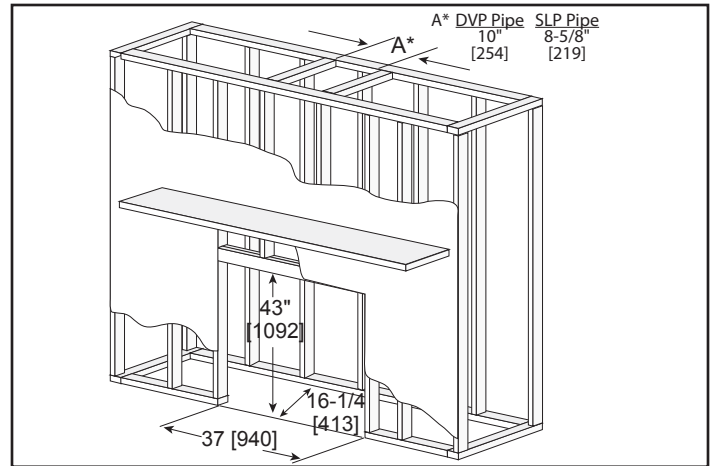
Wall Projection

Acceptable on one side of opening

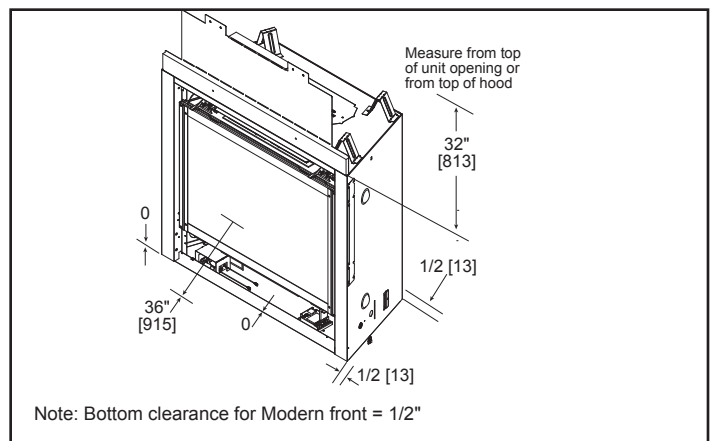
Mantle Leg Projection

Acceptable on both sides of opening

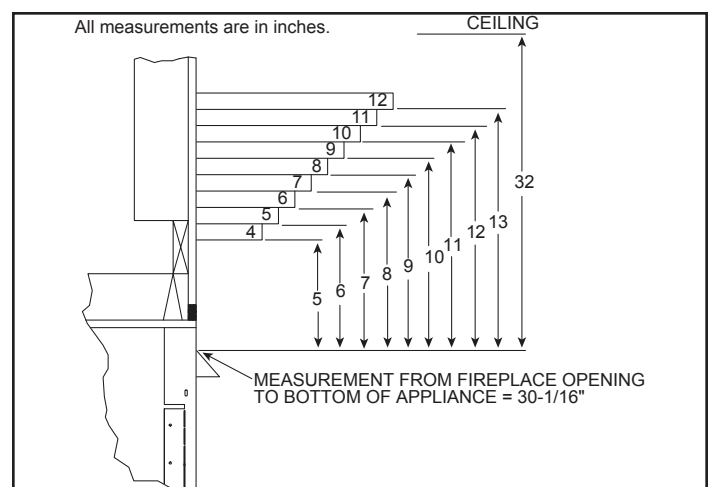
FRAMING DIMENSIONS



CLEARANCES TO COMBUSTIBLES



MANTLE PROJECTIONS



PRODUCT LISTING CODES	
US	ANSI Z21.88b-2008
CAN	CSA 2.33a-2008
US LISTED	UL307B

Product information provided is not complete and is subject to change without notice. Product installation must adhere strictly to instructions accompanying product to avoid risk of fire and potential injury.

Additional information can be found online at www.heatnglo.com