

MAJESTIC

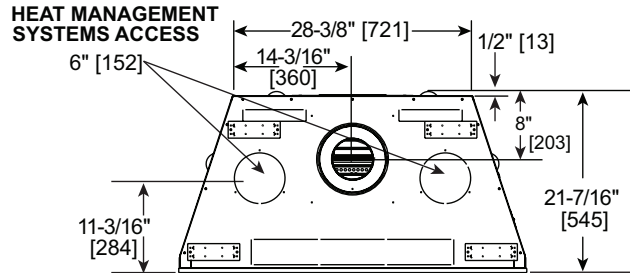
Meridian 42 Platinum Direct Vent Gas Fireplace

Scan QR code for installation manual for final dimensions and requirements.

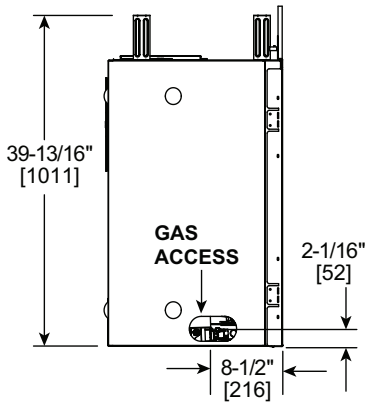


| ACTUAL DIMENSIONS | FRONT WIDTH | HEIGHT | DEPTH | GLASS SIZE | BTU/HOUR INPUT |
|-------------------|-----------------|----------------|----------------|----------------------------------|--|
| | 48-1/16" [1221] | 42-7/8" [1089] | 21-7/16" [545] | 41-1/4" x 26-11/16" [1048 X 678] | 23,000 - 45,000 BTUs (NG) 23,000 - 44,000 BTUs (LP) |

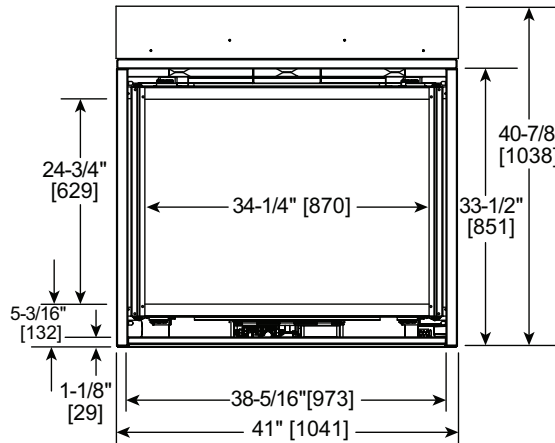
TOP VIEW



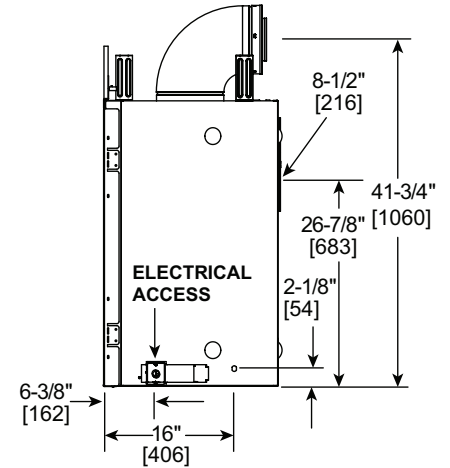
LEFT SIDE



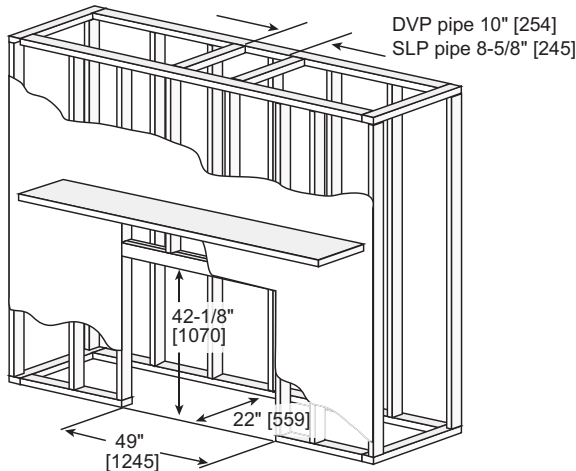
FRONT VIEW



RIGHT SIDE



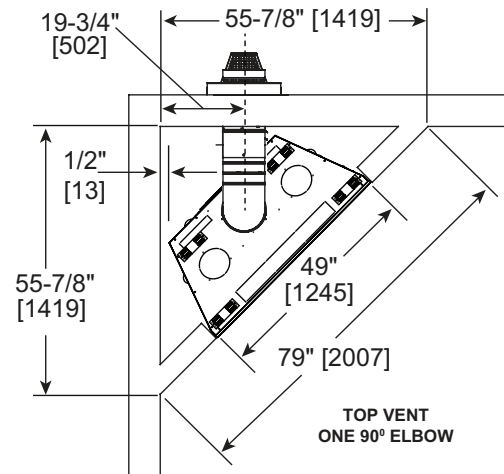
| FRAMING DIMENSIONS | FRONT WIDTH | HEIGHT | DEPTH | WEIGHT |
|--------------------|-------------|----------------|-----------|-----------------|
| | 49" [1245] | 42-1/8" [1070] | 22" [559] | 189 lbs [86KGs] |



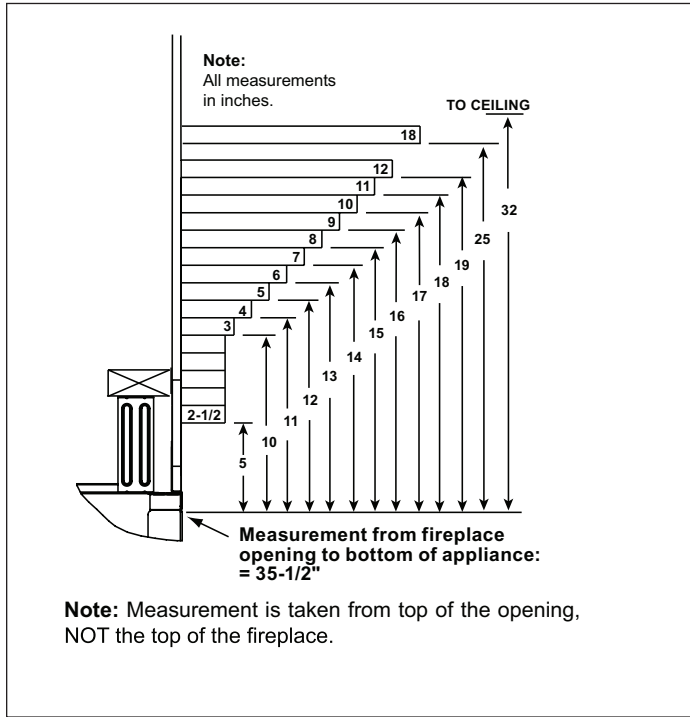
Adjust framing dimensions for interior chase sheathing (such as sheetrock)

BASIC CORNER INSTALLATION

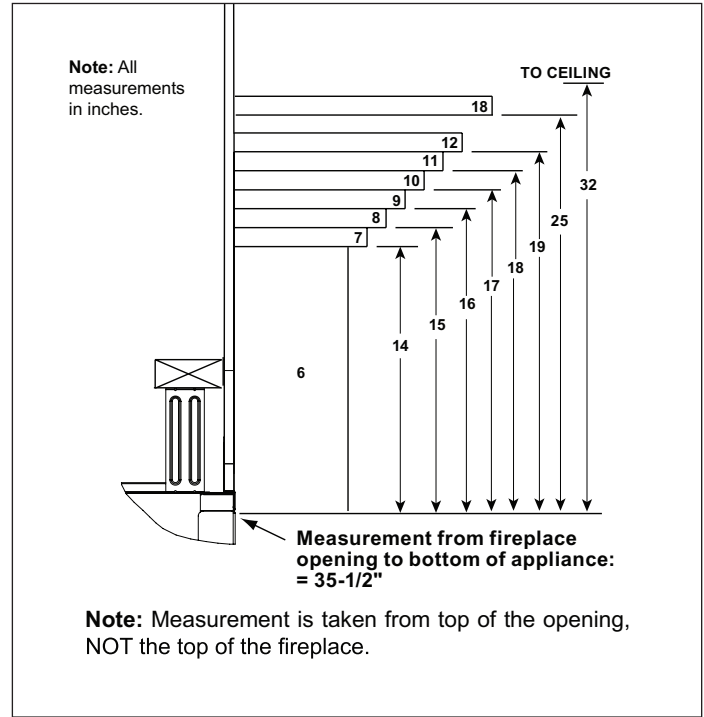
Reference install manual for additional venting scenarios



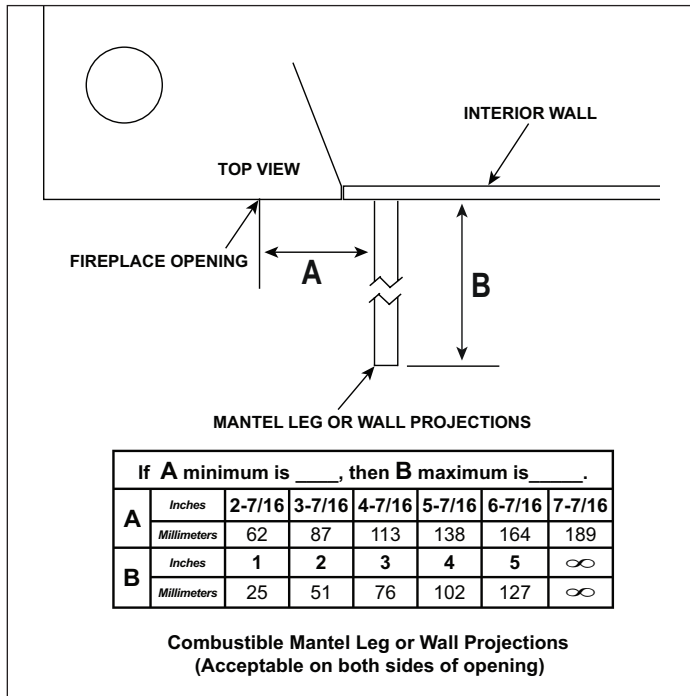
COMBUSTIBLE MANTEL PROJECTIONS



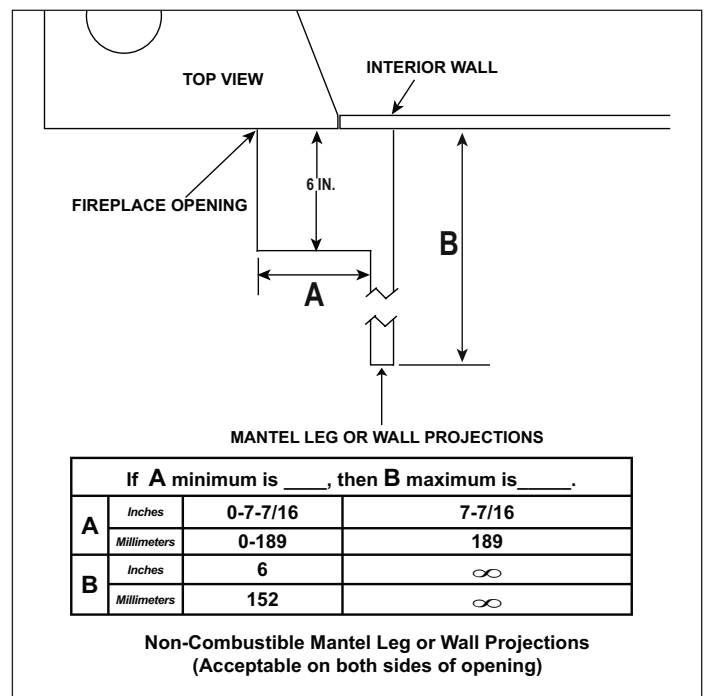
NON-COMBUSTIBLE MANTEL PROJECTIONS



COMBUSTIBLE MANTEL LEGS OR WALL PROJECTIONS

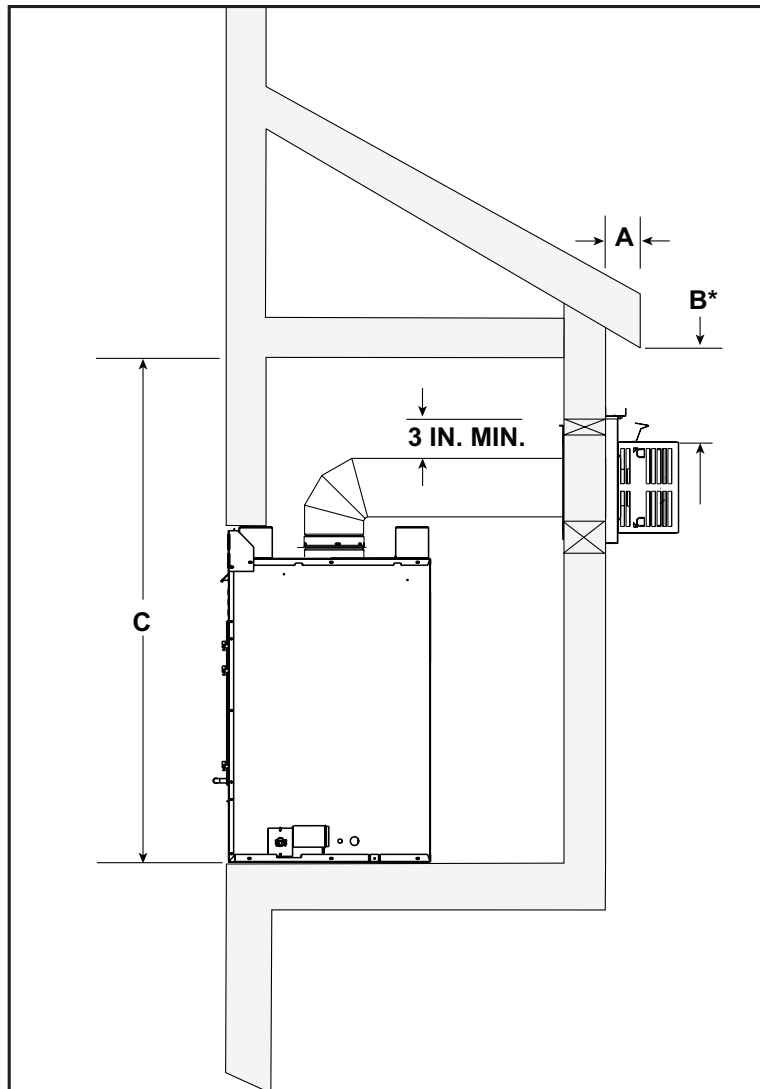


NON-COMBUSTIBLE MANTEL LEGS OR WALL PROJECTIONS



If using heat management please refer to the fireplace installation manual for framing guidelines and reduced mantel clearances. Additional information on venting, TV clearances, finishing requirements, fronts, etc can be found in the installation and owner's manual

EXTERIOR CHASE MINIMUM HEIGHT REQUIREMENTS



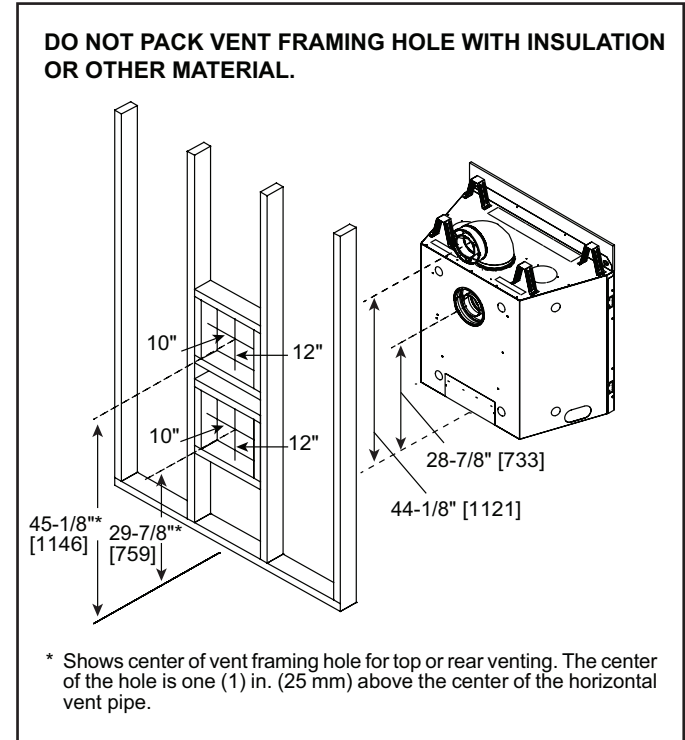
* NOTE: If overhang is less than 2 inches, clearance from top of termination cap to bottom of overhang may be 0 inches.

- A - Measured from back of vent cap to end of overhang
- B - Measured from bottom of overhang to top of termination cap
- C - Measured from bottom of appliance to combustibles surface

Vinyl Siding Shield (TRAP-VSS) Information
 TRAP-VSS required if overhang (A) is greater than 3 inches but less than 5 inches and B dimension is less than 18 inches.

TRAP-VSS recommended if either of the below is true:
 - Overhang (A) is less than 5 inches (to combat water infiltration)
 - A vinyl overhang is present

WALL PENETRATION



| PRODUCT LISTING CODES | |
|-----------------------|------------------|
| US | ANSI Z21.88-2019 |
| CAN | CSA 2.33-2019 |
| US LISTED | UL307B |

Product information provided is not complete and is subject to change without notice. Product installation must adhere strictly to instructions accompanying product to avoid risk of fire and potential injury.

MAJESTIC

Majestic – A Brand of Hearth & Home Technologies
 7571 215th Street West | Lakeville, MN 55044
 877-486-9123 | majesticproducts.com | majesticproducts.ca