

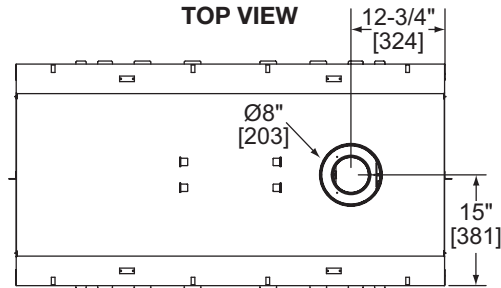
MAJESTIC

Please consult the manufacturer's installation manual for all details and requirements before making a final design layout decision.

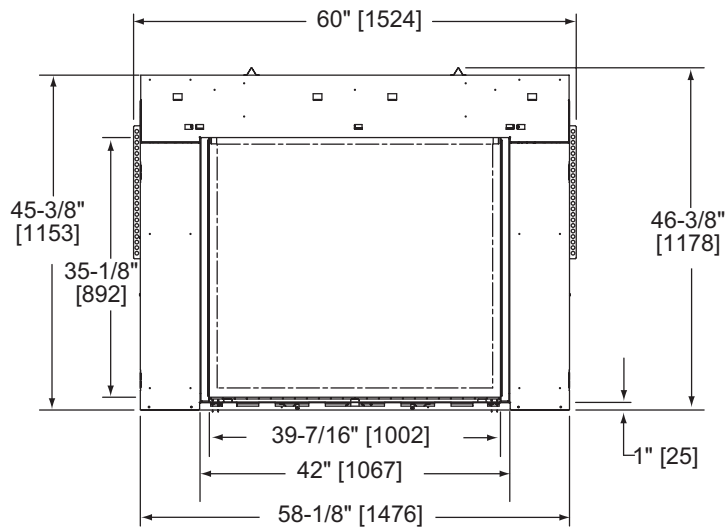
**MARQUIS II 42
SEE-THROUGH**
Direct Vent Gas Fireplace

MODEL	HEIGHT		FRONT WIDTH		BACK WIDTH		DEPTH		GLASS SIZE
	ACTUAL	FRAMING	ACTUAL	FRAMING	ACTUAL	FRAMING	ACTUAL	FRAMING	
MARQ42ST 57,500 BTU (NG) 52,000 BTU (LP)	46-3/8" [1178]	46-1/2" [1181]	60" [1524]	60-1/4" [1530]	60" [1524]	60-1/4" [1530]	30" [762]	30" [762]	39-7/16" x 35-1/8" [1002 X 892]

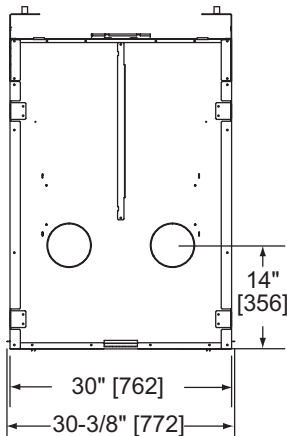
TOP VIEW



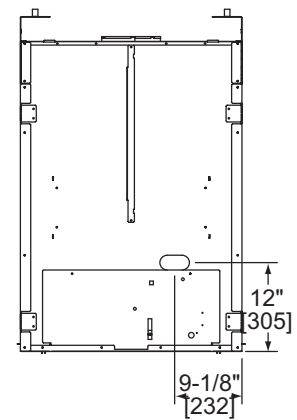
FRONT VIEW



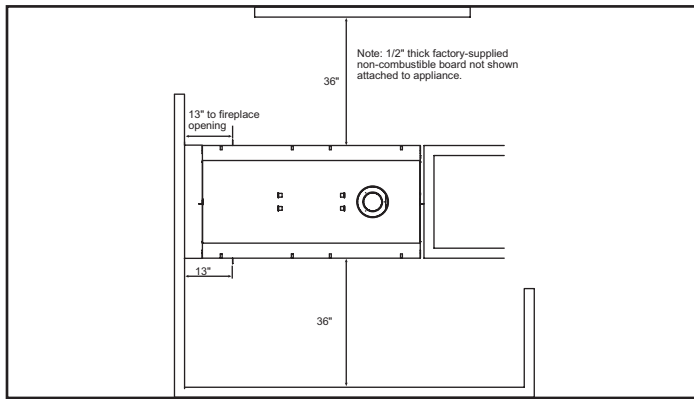
LEFT SIDE



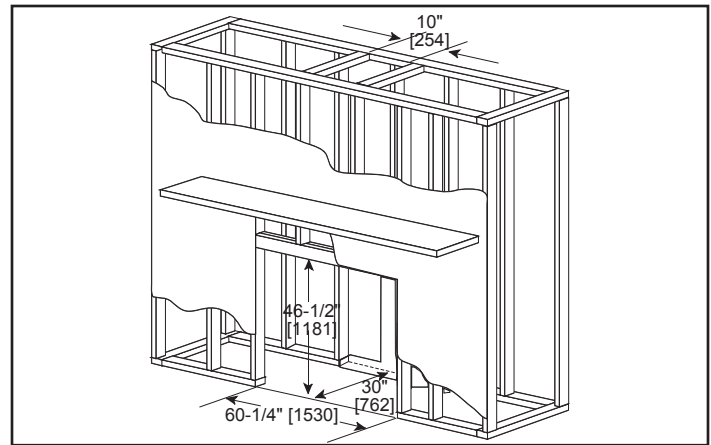
RIGHT SIDE



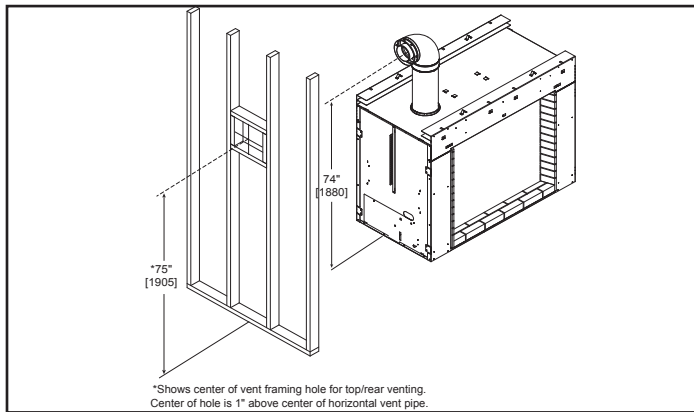
FIREPLACE LOCATIONS



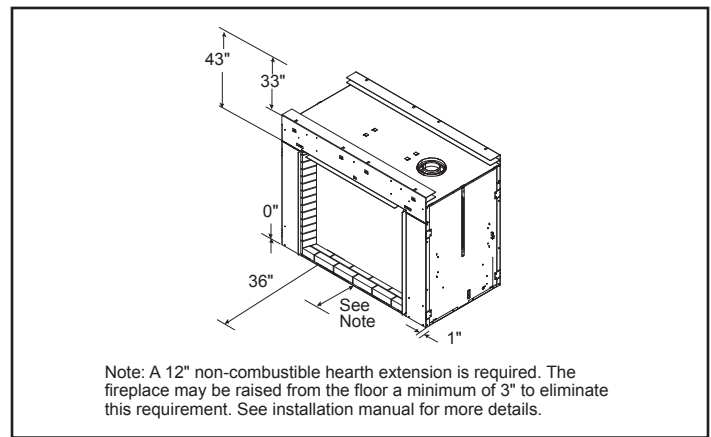
FRAMING DIMENSIONS



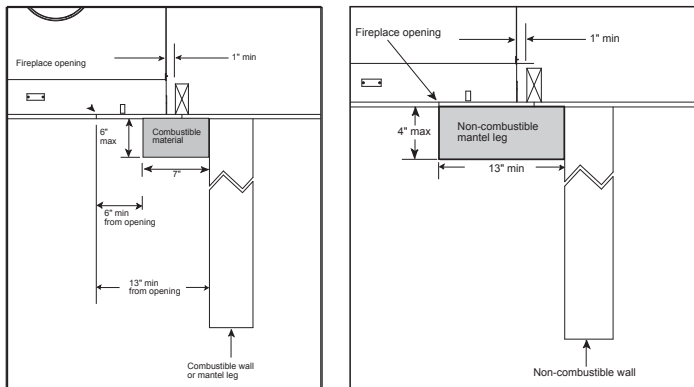
WALL PENETRATION



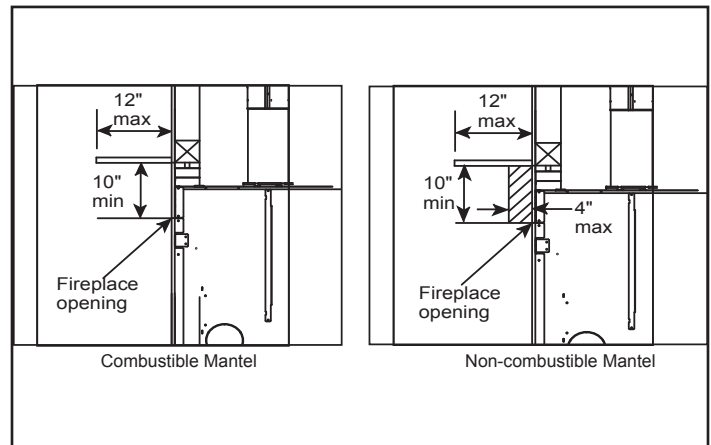
CLEARANCES TO COMBUSTIBLES




MANTEL LEG/WALL PROJECTIONS



MANTEL PROJECTIONS



PRODUCT LISTING CODES	
US	ANSI Z21.88a-2007
CAN	CSA 2.33a-2007
 US LISTED	UL307B

Product information provided is not complete and is subject to change without notice. Product installation must adhere strictly to instructions accompanying product to avoid risk of fire and potential injury.



Majestic — A Brand of Hearth & Home Technologies
 7571 215th Street West | Lakeville, MN 55044
 877-486-9123 | majesticproducts.com

