



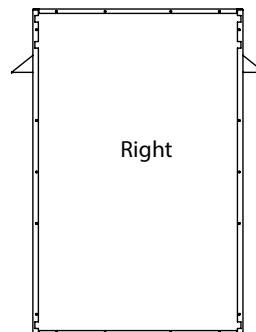
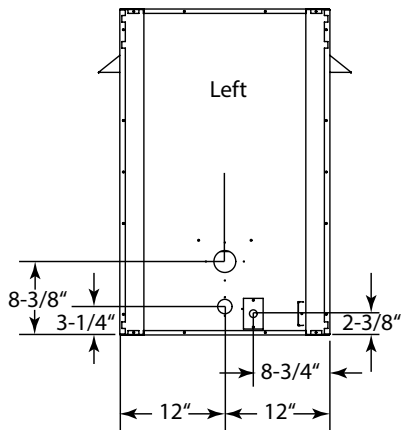
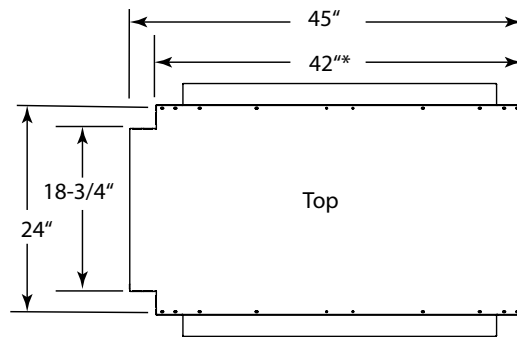
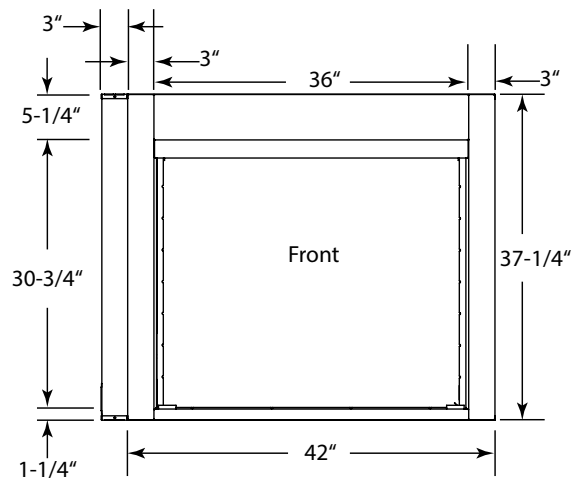
LOVE AT FIRST LIGHT

Please consult the manufacturer's installation manual for all details and requirements before making a final design layout decision.

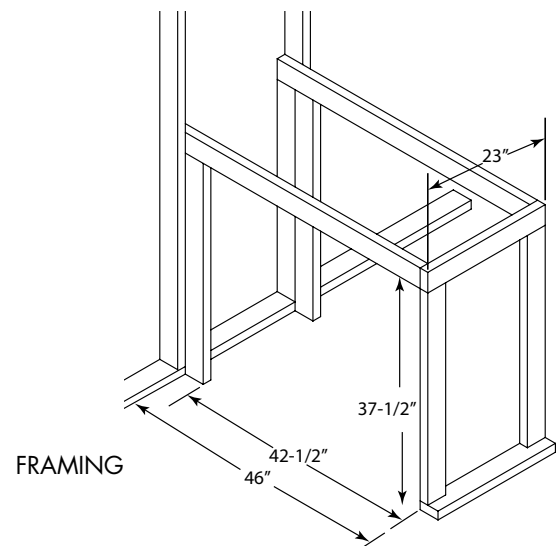
Lo-Rider See-Through  
Vent Free Gas Firebox

| MODEL    | FRONT WIDTH |         | HEIGHT  |         | DEPTH  |         | VIEWING AREA  |
|----------|-------------|---------|---------|---------|--------|---------|---------------|
|          | Actual      | Framing | Actual  | Framing | Actual | Framing |               |
| LSTF36-B | 45"         | 46"     | 37-1/4" | 37-1/2" | 24"    | 23"     | 36" x 30-3/4" |

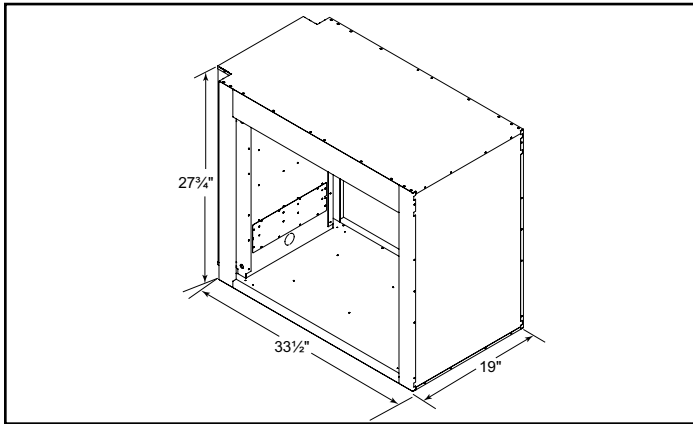
ACTUAL



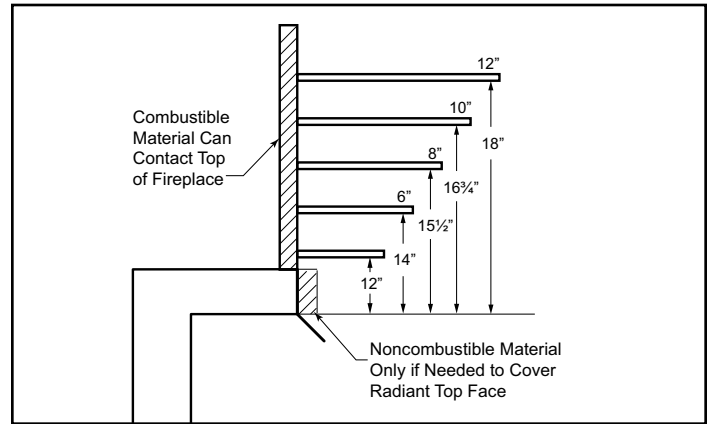
\*NOTE: When centering firebox on a wall, use this measurement.



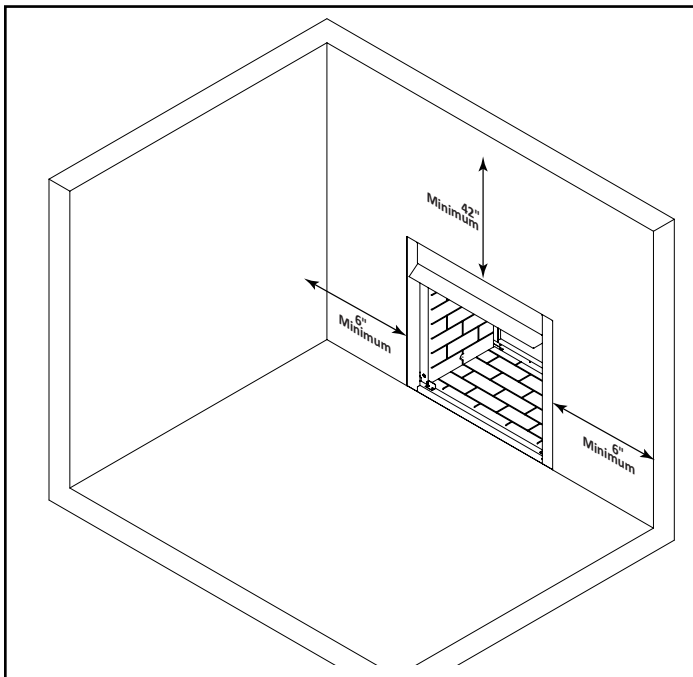
MINIMUM HEARTH DIMENSIONS



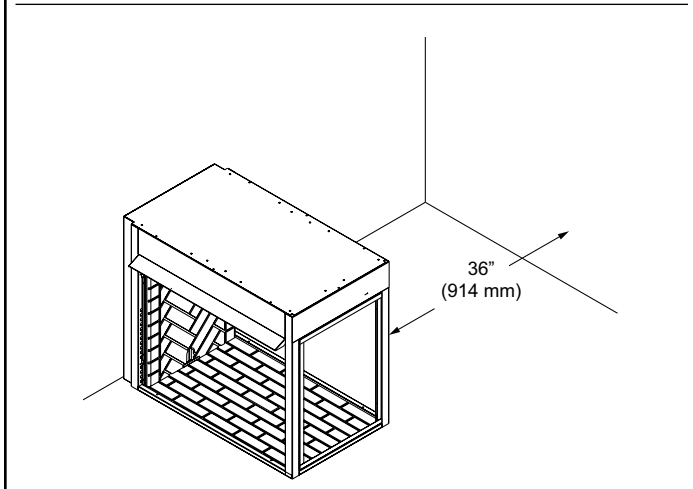
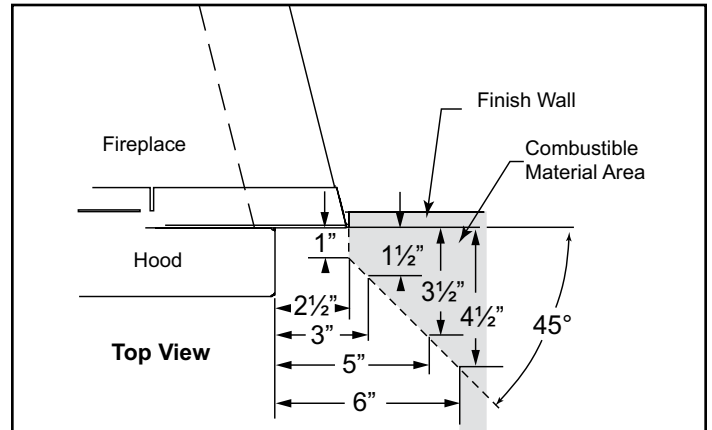
MANTEL CLEARANCES




CLEARANCES AND HEIGHT REQUIREMENTS



MANTEL LEG CLEARANCES



| PRODUCT LISTING CODES   |                                     |
|---|-------------------------------------|
| US  | ANSI Z223.1 / NFPA54<br>ANSI Z21.11 |
|  | CSA Design Certified                |

Product information provided is not complete and is subject to change without notice. Product installation must adhere strictly to instructions accompanying product to avoid risk of fire and potential injury.

Additional information can be found online at [www.monessenhearth.com](http://www.monessenhearth.com)



LOVE AT FIRST LIGHT

(877) 863-4350 | [monessenhearth.com](http://monessenhearth.com)