

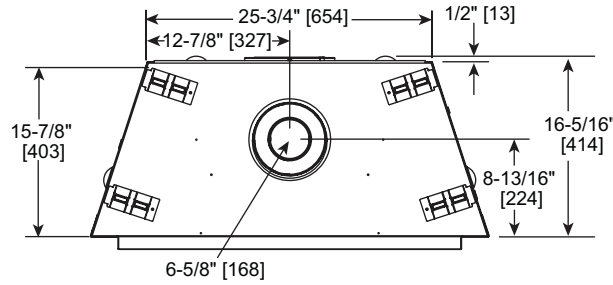
MAJESTIC

Please consult the manufacturer's installation manual for all details and requirements before making a final design layout decision.

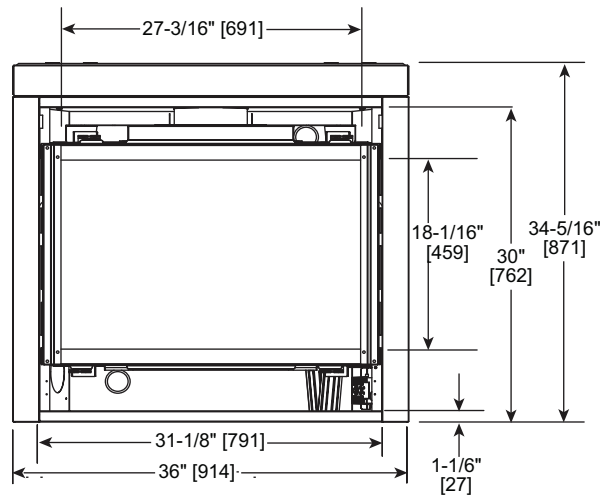
MERCURY 32
Direct Vent Gas Fireplace

MODEL	HEIGHT		FRONT WIDTH		BACK WIDTH		DEPTH		GLASS SIZE
	ACTUAL	FRAMING	ACTUAL	FRAMING	ACTUAL	FRAMING	ACTUAL	FRAMING	
MERC32 19,100 BTU (NG) 19,100 BTU (LP)	34-5/16"	34-3/4"	36"	37"	25-3/4"	37"	16-5/16"	16-1/4"	27-3/16" x 18-1/16"

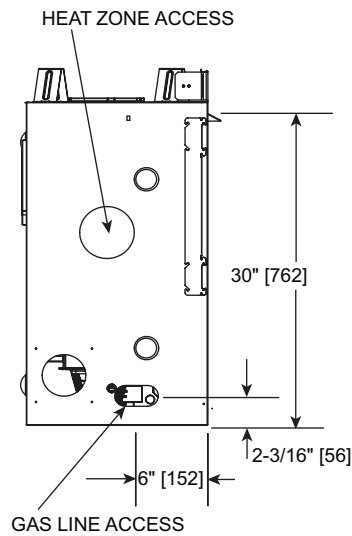
TOP VIEW



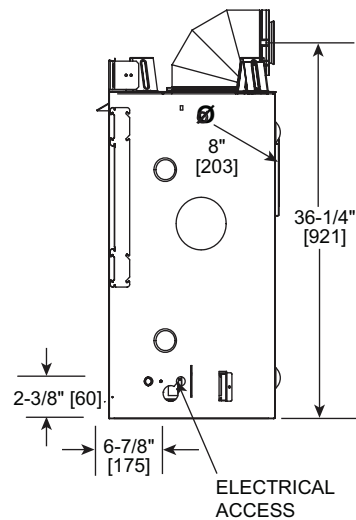
FRONT VIEW



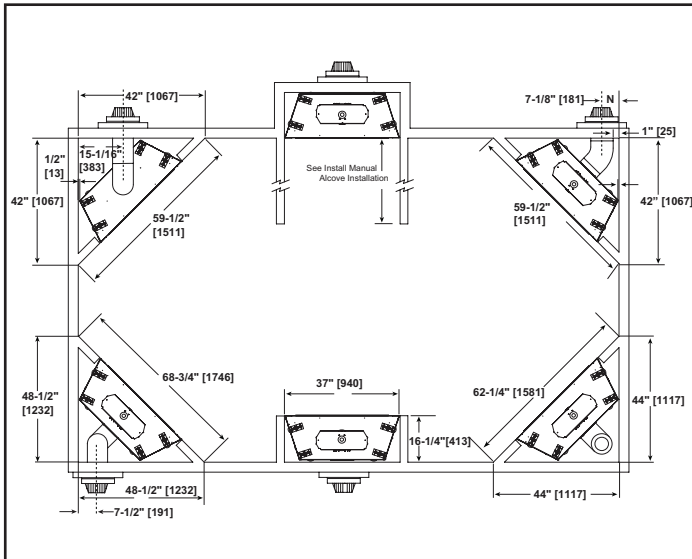
LEFT SIDE



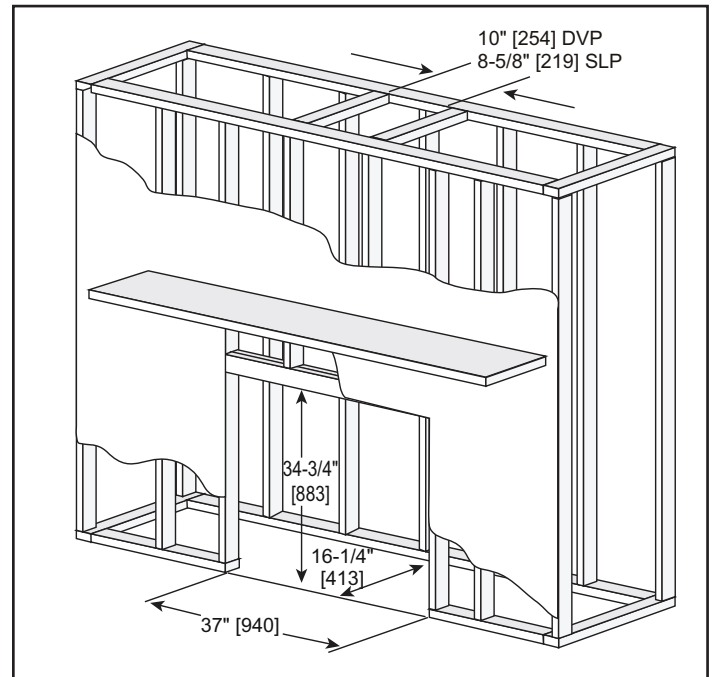
RIGHT SIDE



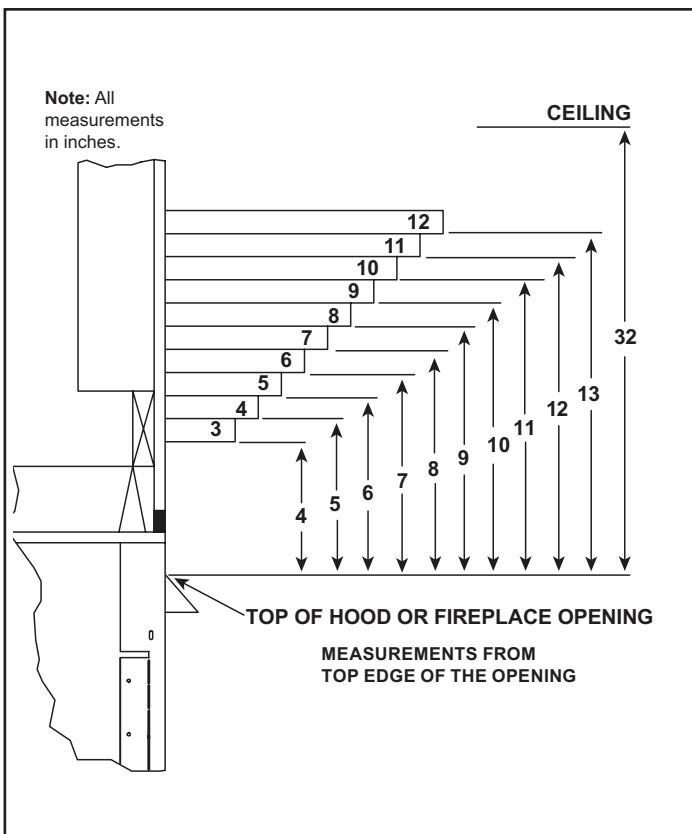
APPLIANCE LOCATION



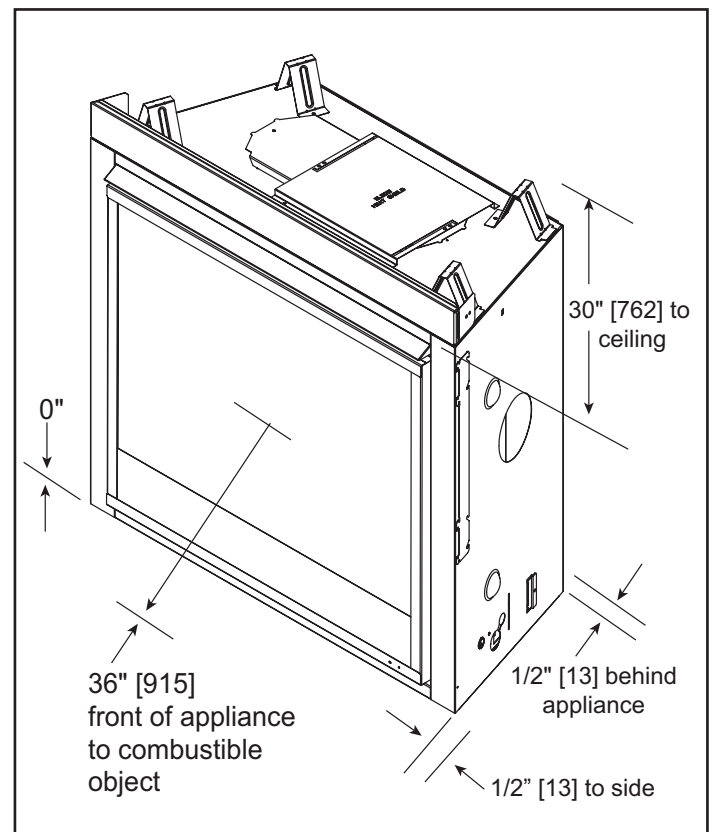
FRAMING DIMENSIONS



MANTEL AND WALL PROJECTIONS



CLEARANCES TO COMBUSTIBLES



PRODUCT LISTING CODES	
US	ANSI Z21.88-2014
CAN	CSA 2.33-2014

Product information provided is not complete and is subject to change without notice. Product installation must adhere strictly to instructions accompanying product to avoid risk of fire and potential injury.



Majestic — A Brand of Hearth & Home Technologies
 7571 215th Street West | Lakeville, MN 55044
 877-486-9123 | majesticproducts.com

