



Lanai

60" See-Through Outdoor Gas Fireplace

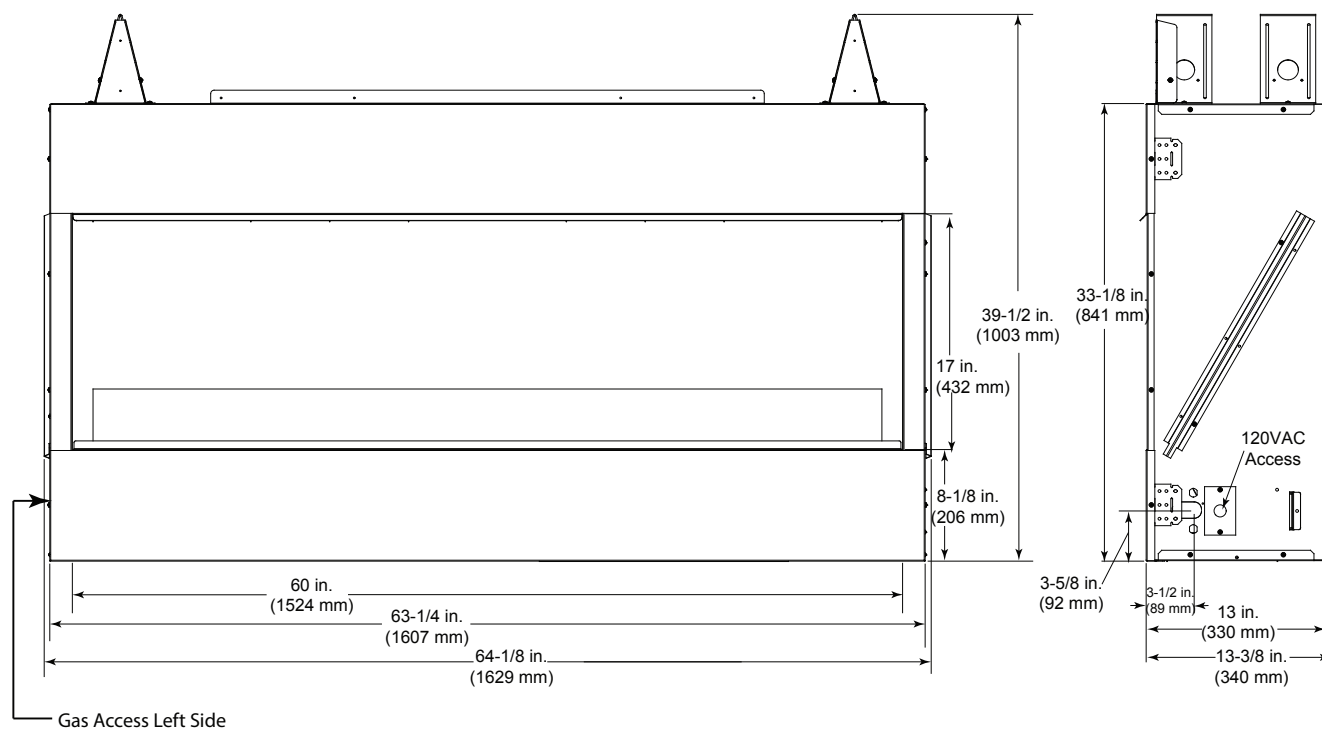
Scan QR code for installation manual for final dimensions and requirements.



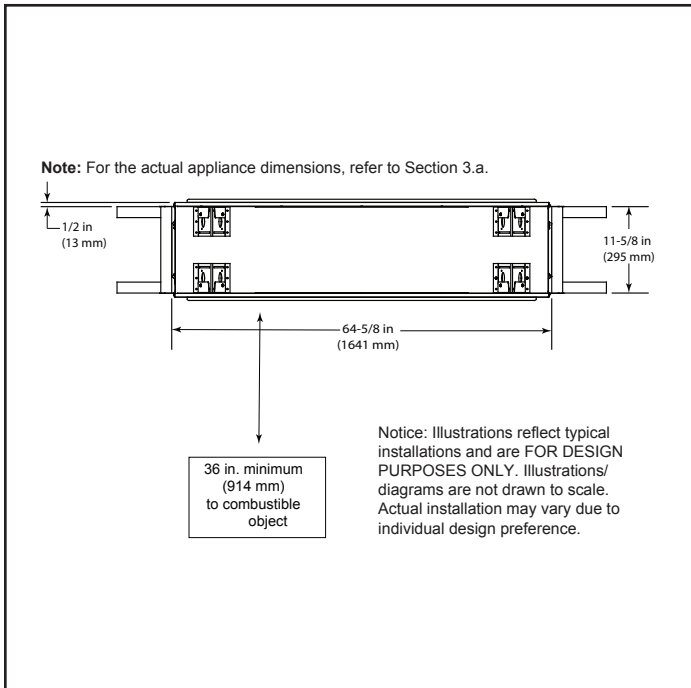
MODEL	FRONT WIDTH		BACK WIDTH		HEIGHT		DEPTH		VIEWING AREA
	Actual	Framing	Actual	Framing	Actual	Framing	Actual	Framing	
ODLANAIGST-60	64-1/8" [1629]	64-5/8" [1641]	64-1/8" [1629]	64-5/8" [1641]	39-1/2" [1003]	39-3/4" [1009]	13" [330]	11-5/8" [295]	59-7/8" x 17" [1521 x 432]

FRONT

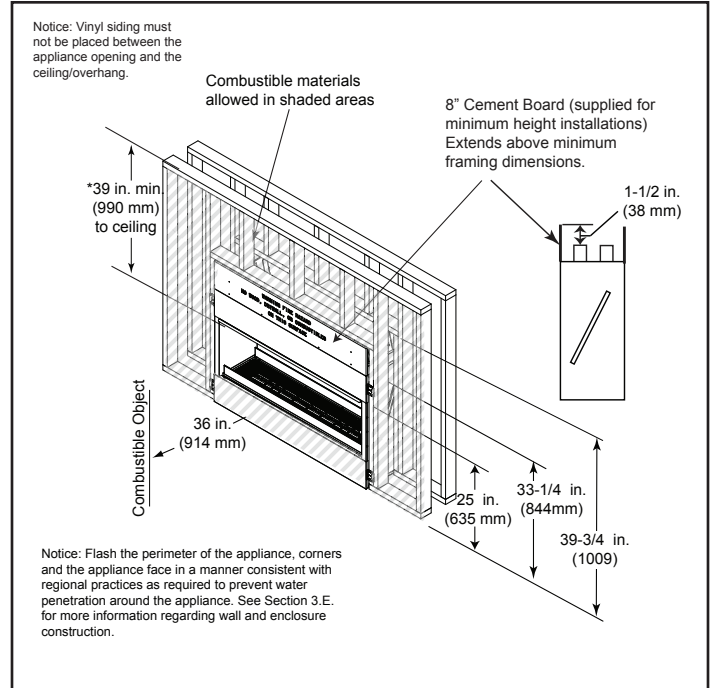
SIDE



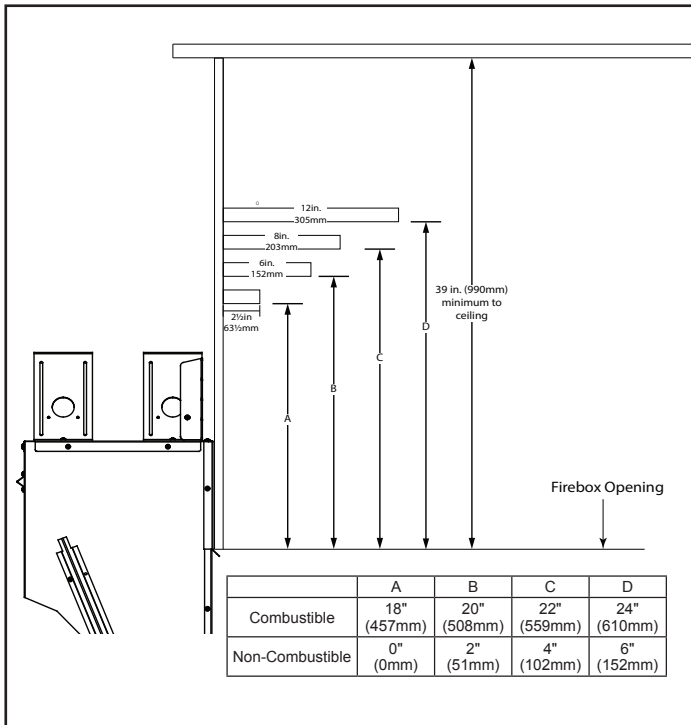
APPLIANCE LOCATION



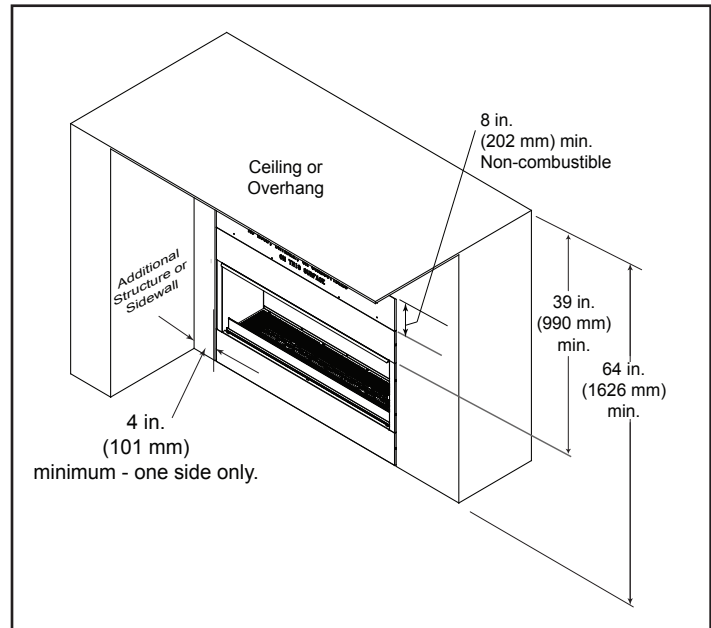
FRAMING DIMENSIONS



MANTEL PROJECTIONS



CLEARANCES TO COMBUSTIBLES



PRODUCT LISTING CODES	
US	ANSI Z221.97-2017
CAN	CSA 2.41-2017

Product information provided is not complete and is subject to change without notice. Product installation must adhere strictly to instructions accompanying product to avoid risk of fire and potential injury.



Additional information can be found online at www.fireplaces.com