

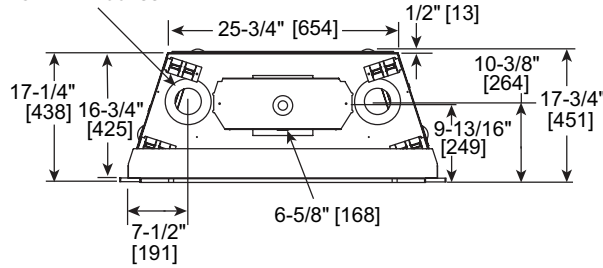
**MAJESTIC**

Please consult the manufacturer's installation manual for all details and requirements before making a final design layout decision.

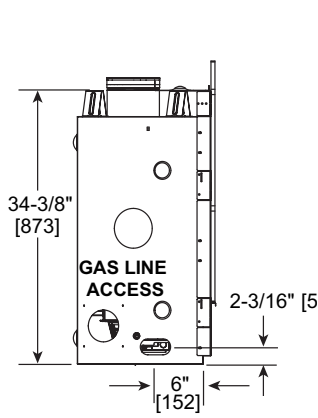
**JADE 32**  
Direct Vent Gas Fireplace

MODEL	FRONT WIDTH		BACK WIDTH		HEIGHT		DEPTH		GLASS SIZE
	ACTUAL	FRAMING	ACTUAL	FRAMING	ACTUAL	FRAMING	ACTUAL	FRAMING	
<b>JADE32IN-B</b> 19,000 BTU (NG) 16,500 BTU (LP)	36" (914)	37" (940)	25-3/4" (654)	37" (940)	38-1/16" (967)	36-1/2" (927)	17-3/4" (451)	17-3/4" (451)	27-1/4" x 15-1/4" (692 x 387)

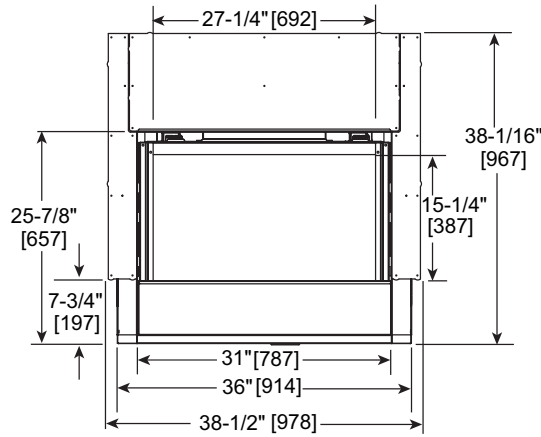
HEAT MANAGEMENT ACCESS



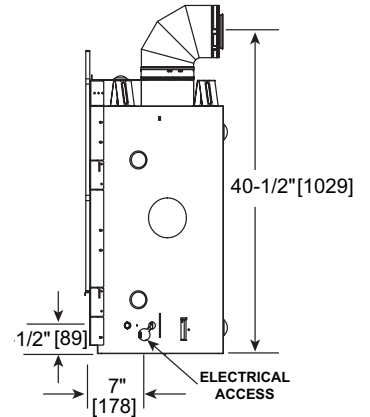
TOP VIEW



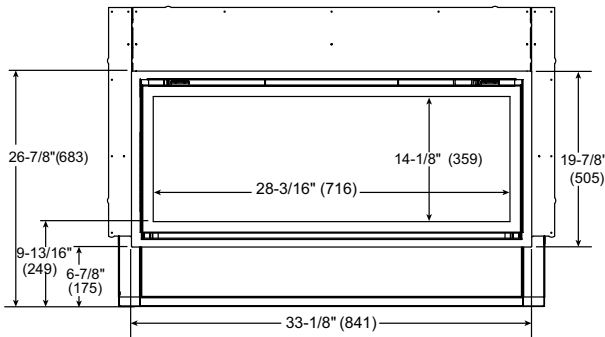
LEFT SIDE VIEW



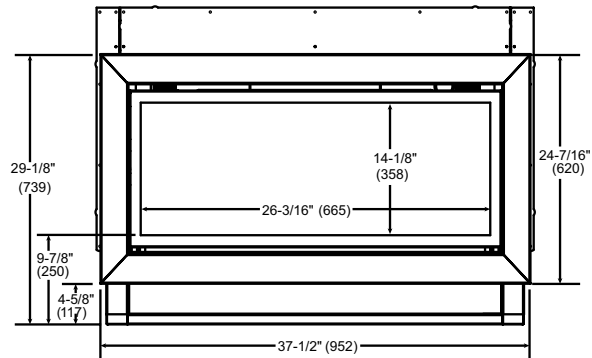
FRONT VIEW



RIGHT SIDE VIEW



CLEAN FACE TRIM



PICTURE FRAME FRONT

