



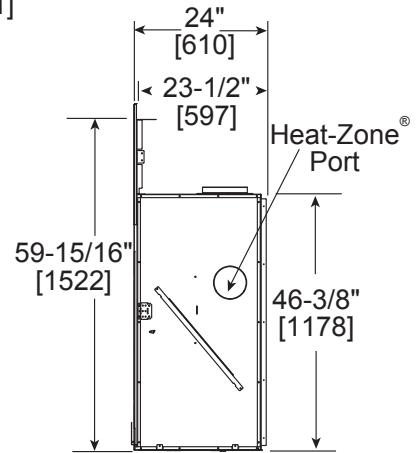
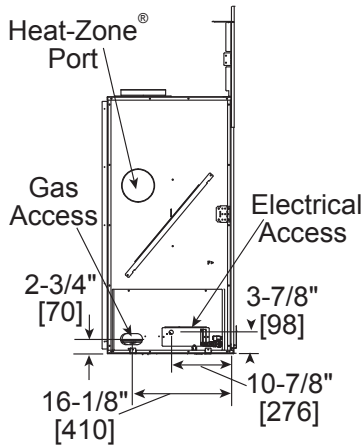
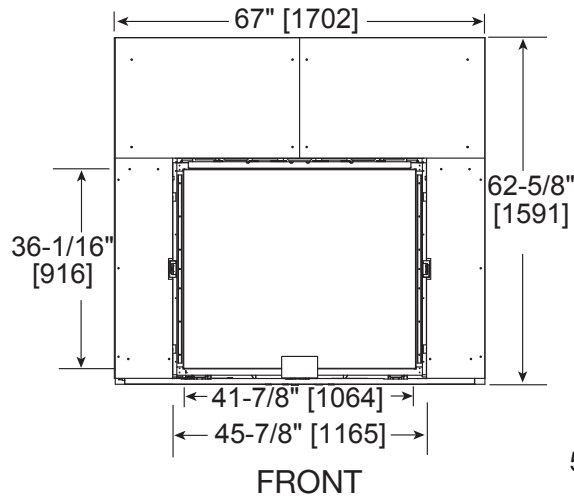
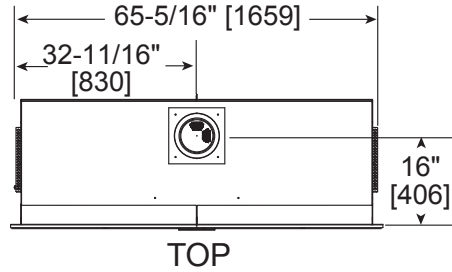
Please consult the manufacturer's installation manual for all details and requirements before making a final design layout decision.

Heirloom

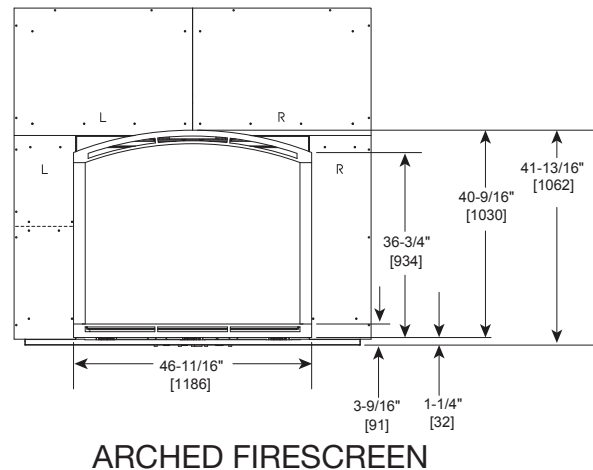
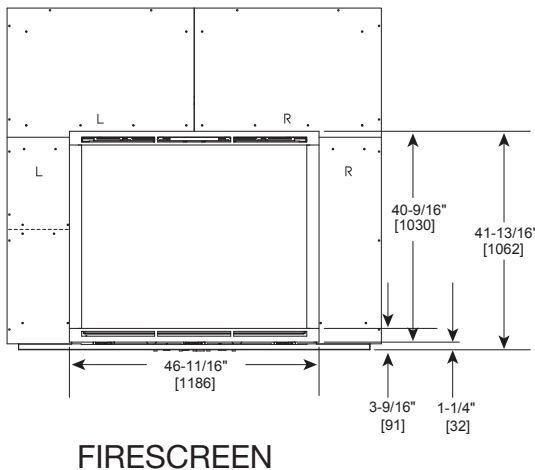
Direct Vent Gas Fireplace

MODEL	FRONT WIDTH		BACK WIDTH		HEIGHT		DEPTH		GLASS SIZE
	Actual	Framing	Actual	Framing	Actual	Framing	Actual	Framing	
HEIR42	67	65-9/16	65-5/16	65-9/16	62-5/8	61	24	24	41-7/8 x 36-1/16

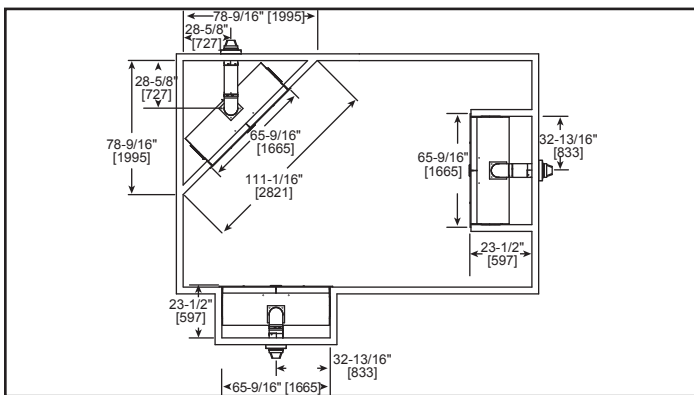
UNIT



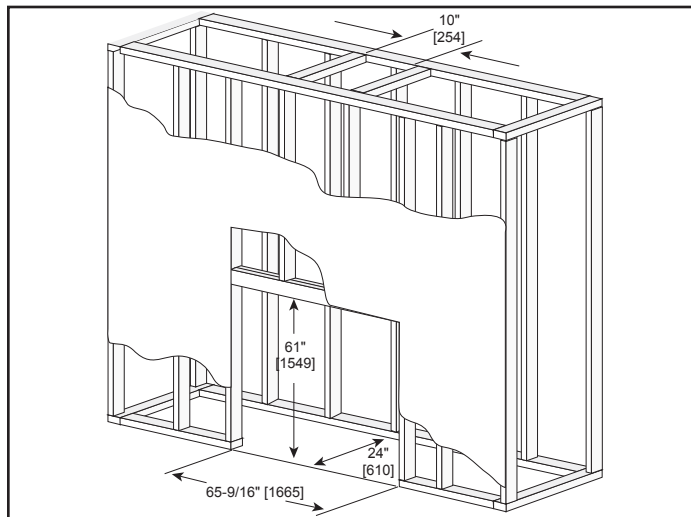
FRONTS



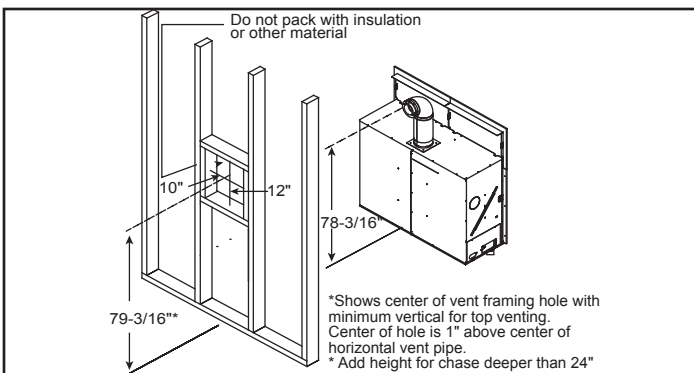
APPLIANCE LOCATION



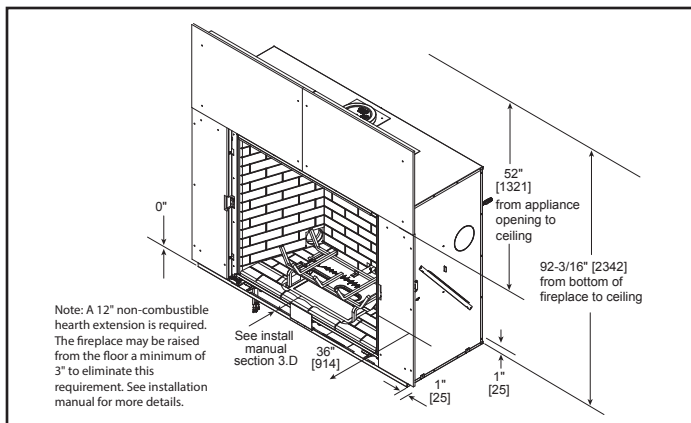
FRAMING DIMENSIONS



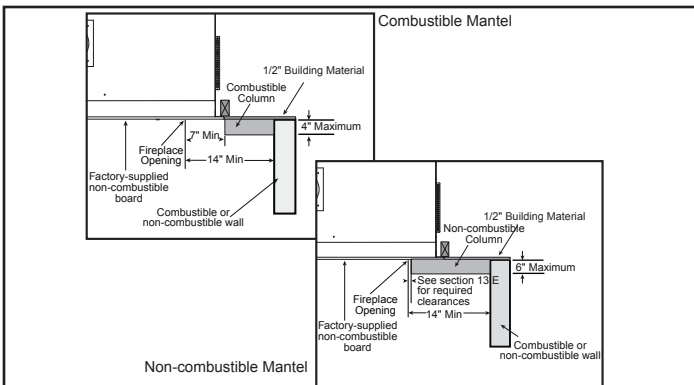
WALL PENETRATION



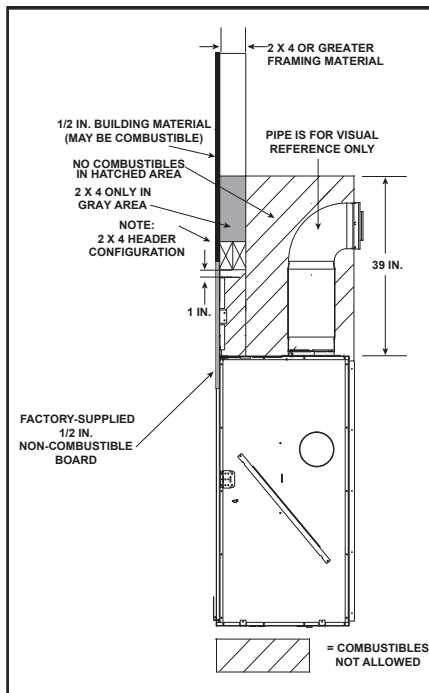
CLEARANCES TO COMBUSTIBLES



MANTEL LEG/WALL PROJECTIONS



NON-COMBUSTIBLE ZONE



PRODUCT LISTING CODES	
US	ANSI Z21.88-2014
CAN	CSA 2.23-2014
	UL307B

Product information provided is not complete and is subject to change without notice. Product installation must adhere strictly to instructions accompanying product to avoid risk of fire and potential injury.

Additional information can be found online at www.heatlator.com

COMBUSTIBLE MANTEL PROJECTIONS

