

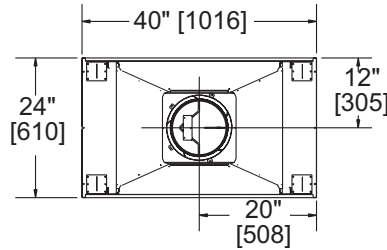


Please consult the manufacturer's installation manual for all details and requirements before making a final design layout decision.

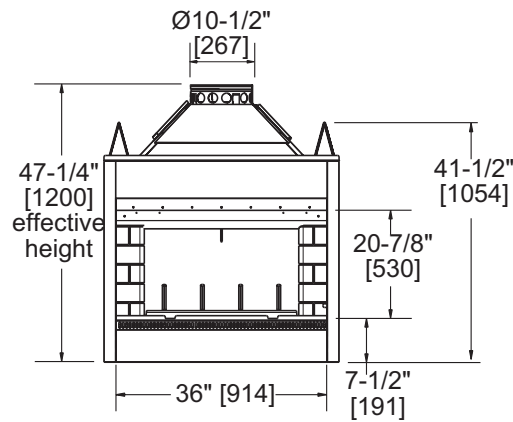
HST-42D

Multi-sided
Wood-burning Fireplace

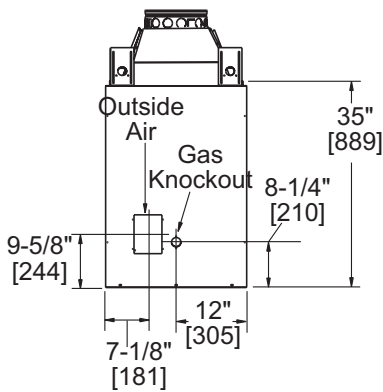
MODEL	FRONT WIDTH		BACK WIDTH		HEIGHT		DEPTH		FIREBOX OPENING
	Actual	Framing	Actual	Framing	Actual	Framing	Actual	Framing	
HST-42D	40	41	40	41	47-1/4	41-1/2	24	23	36 x 20-7/8



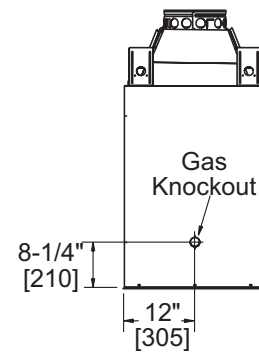
Top View



Front View

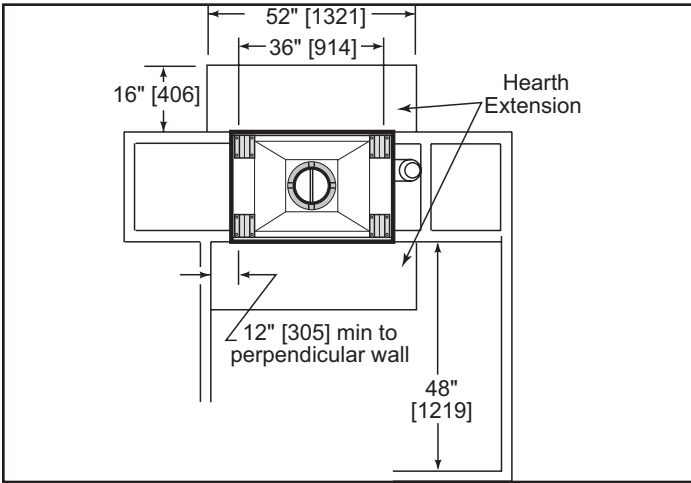


Left Side View

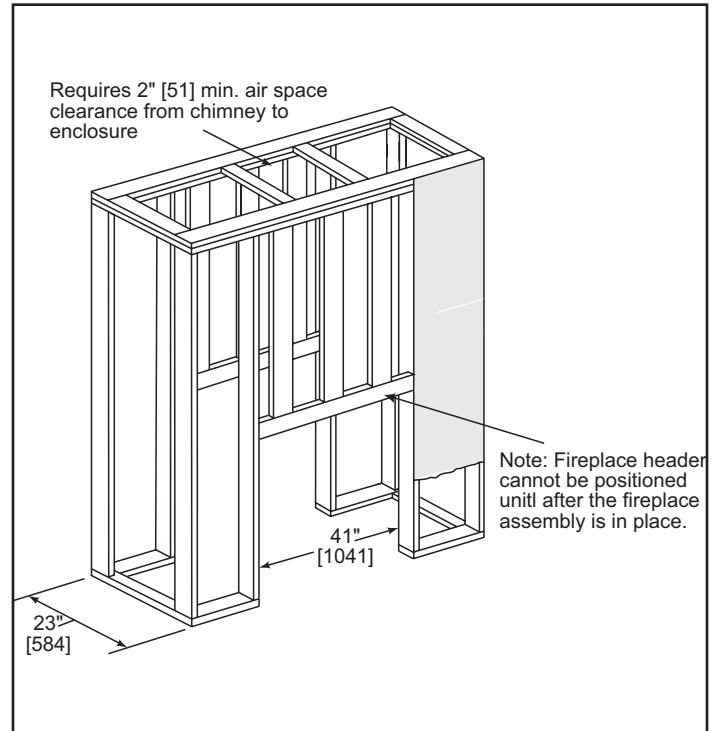


Right Side View

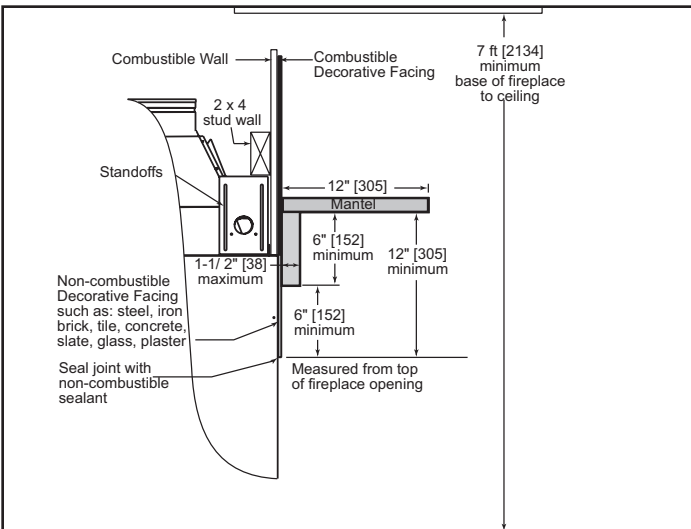
APPLIANCE LOCATION



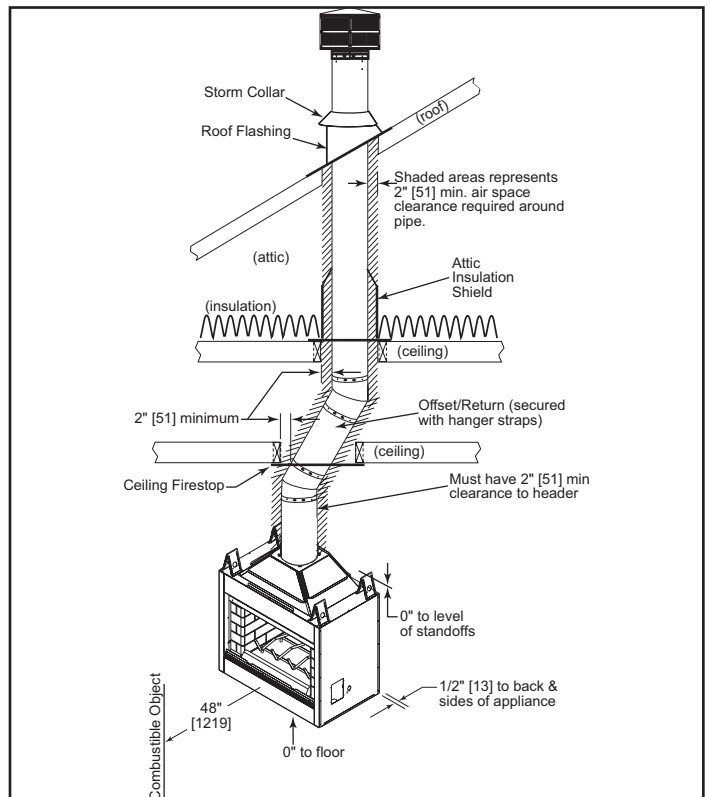
FRAMING DIMENSIONS



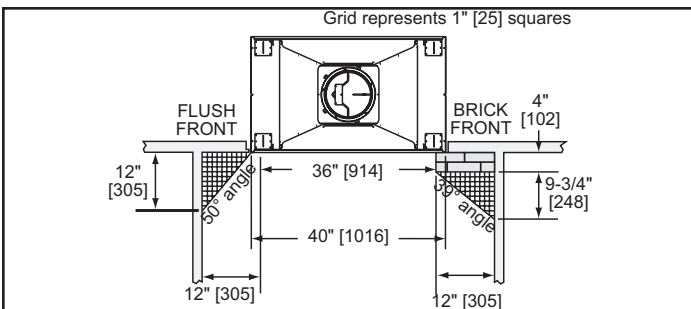
MANTEL PROJECTIONS



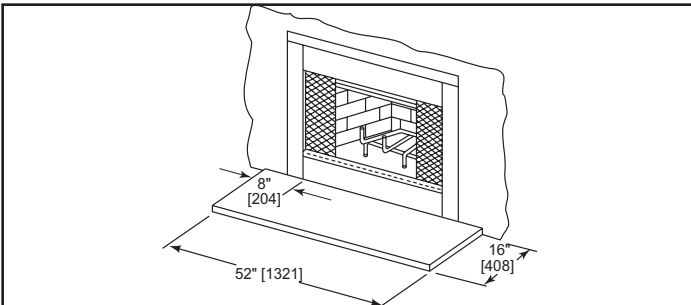
CLEARANCE TO COMBUSTIBLES



MANTEL LEG/WALL PROJECTIONS



HEARTH EXTENSIONS



PRODUCT LISTING CODES	
US	UL 127
CAN	ULC-S610

Product information provided is not complete and is subject to change without notice. Product installation must adhere strictly to instructions accompanying product to avoid risk of fire and potential injury.

Additional information can be found online at www.heatnglo.com