



Please consult the manufacturer's installation manual for all details and requirements before making a final design layout decision.

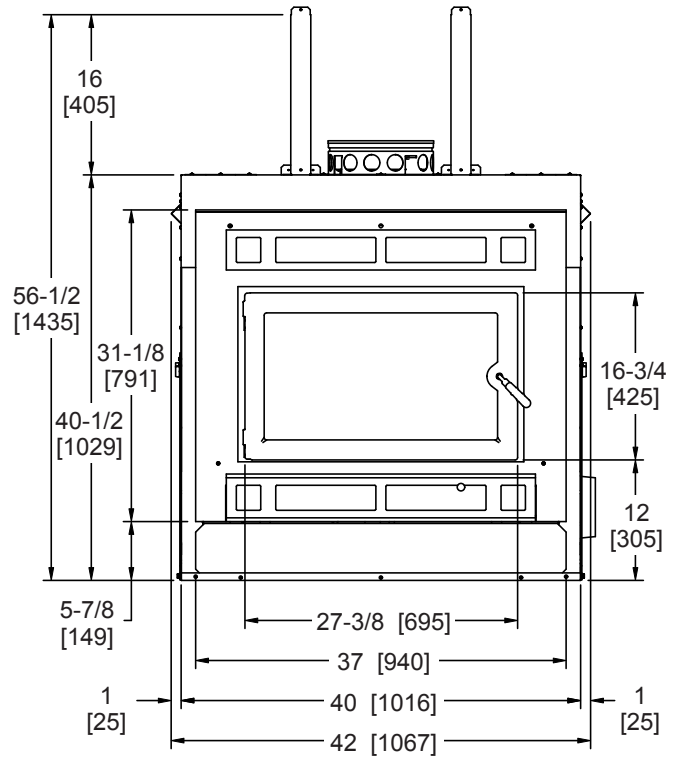
PIONEER II
EPA Wood-burning Fireplace



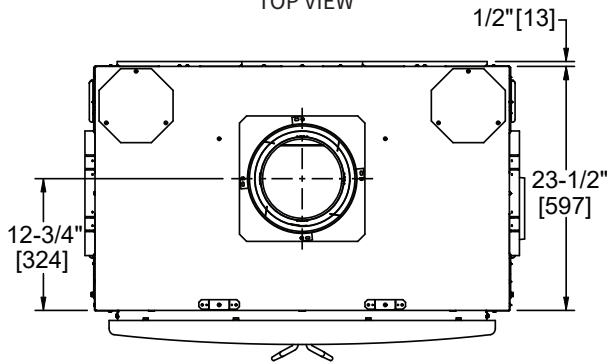
MODEL	FRONT WIDTH		BACK WIDTH		HEIGHT		DEPTH		VIEWING AREA
	Actual	Framing	Actual	Framing	Actual	Framing	Actual	Framing	
Pioneer-II	40	42-1/2	40	42-1/2	40-1/2	56-3/4	23-1/2	24*	296 sq in

*If interior of chase will be drywalled, add the thickness of the drywall to this measurement.

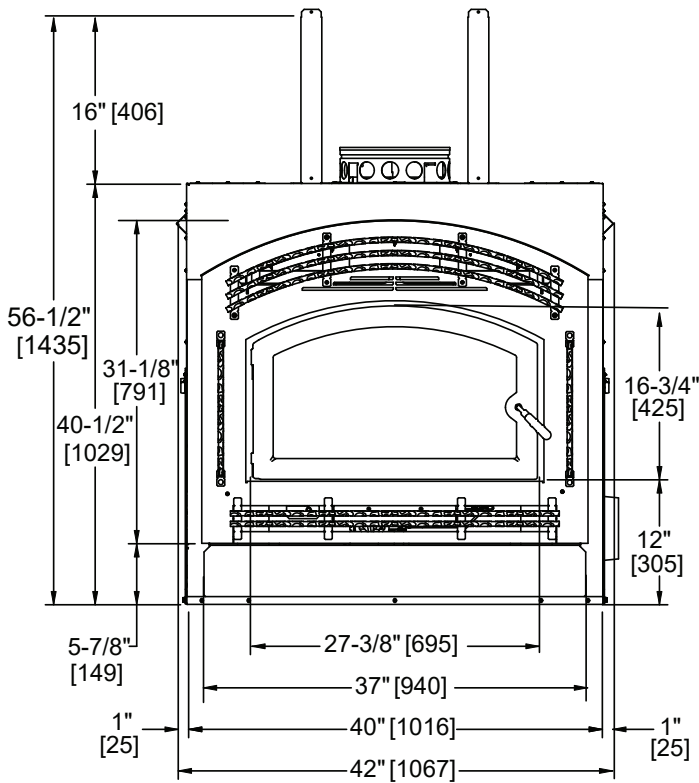
FRONT VIEW - RECTANGULAR



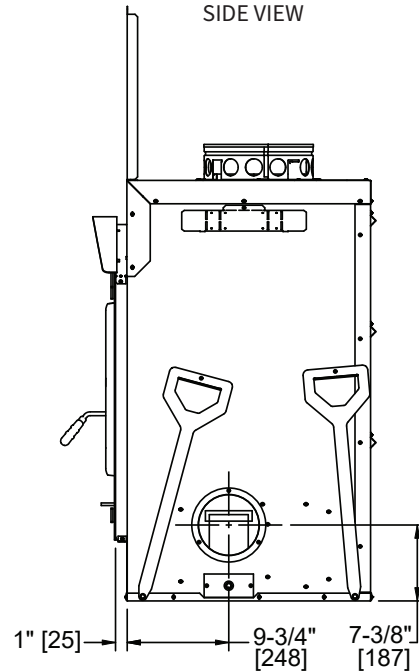
TOP VIEW



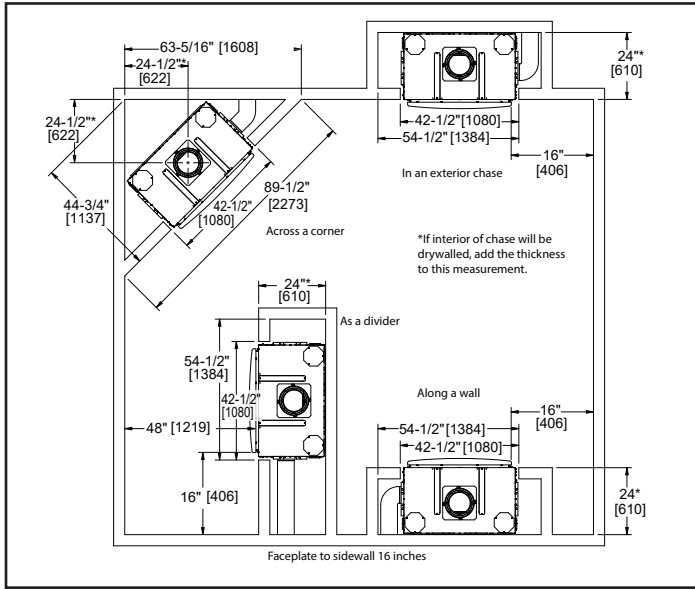
FRONT VIEW - ARCH



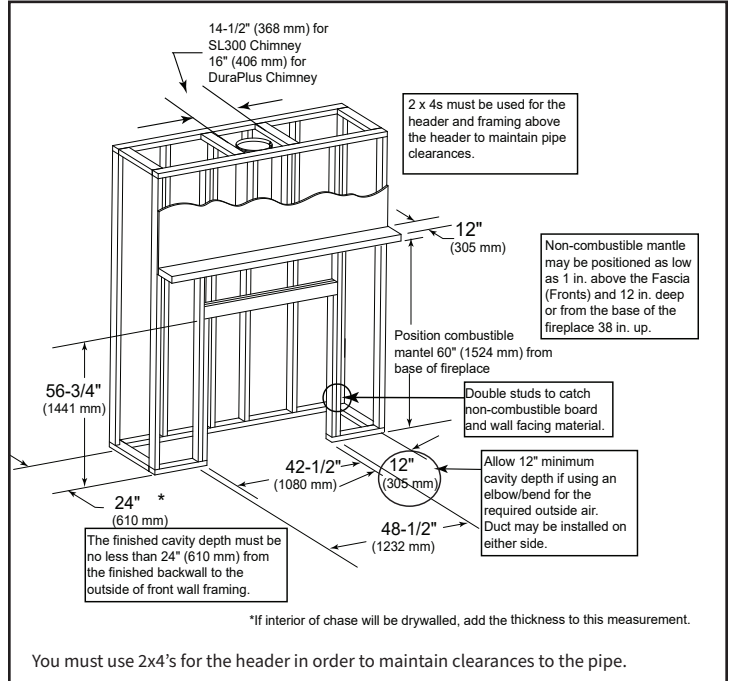
SIDE VIEW



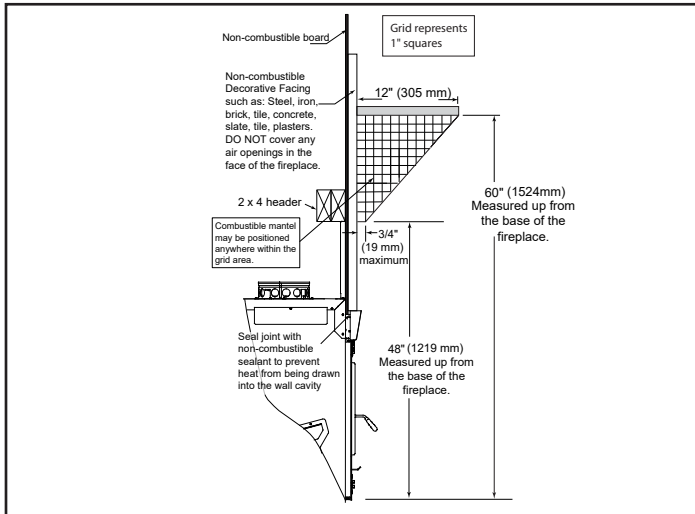
APPLIANCE LOCATION



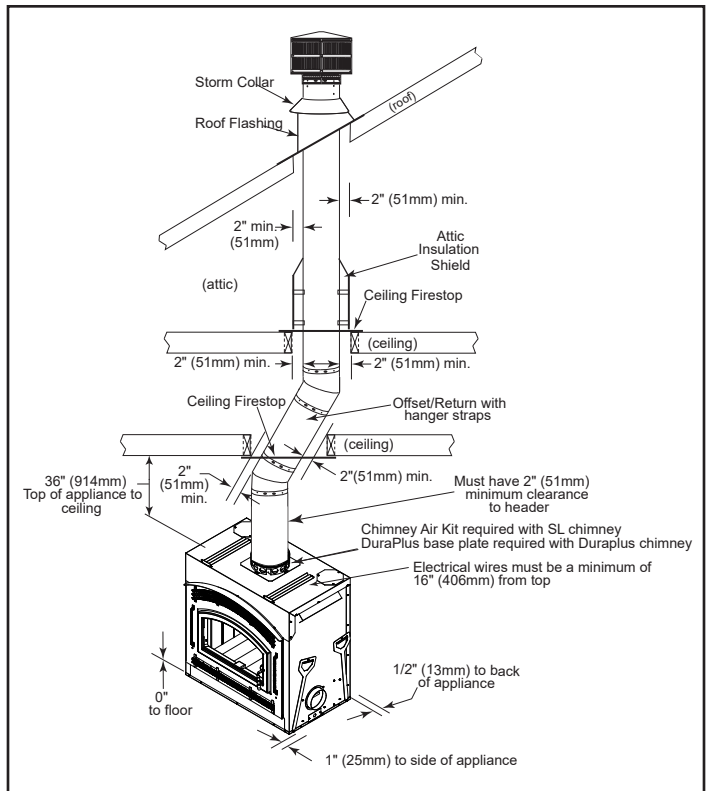
FRAMING DIMENSIONS



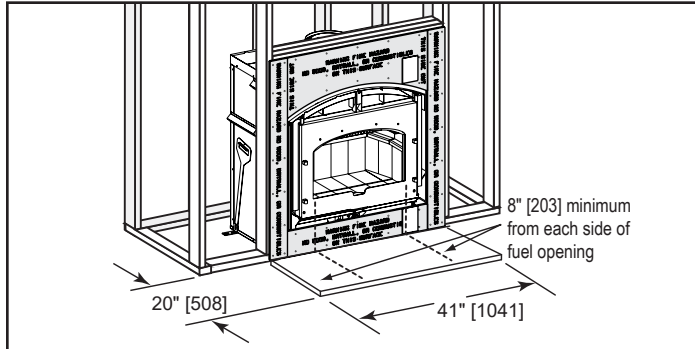
MANTEL PROJECTIONS



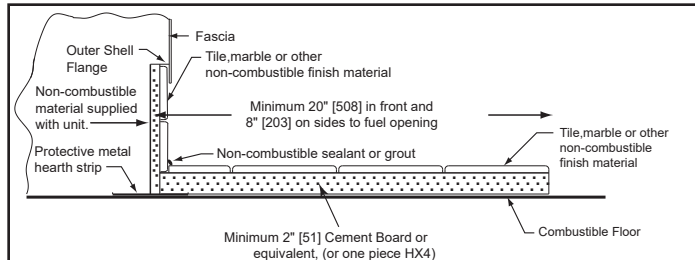
CLEARANCE TO COMBUSTIBLES



HEARTH EXTENSIONS



HEARTH EXTENSION CONSTRUCTION



See install manual figure 7.8 for raised hearth extension.

PRODUCT LISTING CODES	
US	UL127-2011 (UM) 84-HUD
Canada	ULC-S610-M87 (A1998)

Additional information can be found online at www.heatnglo.com

Product information provided is not complete and is subject to change without notice. Product installation must adhere strictly to instructions accompanying product to avoid risk of fire and potential injury.



Lakeville, MN Web: heatnglo.com
Phone: 800-926-4356

