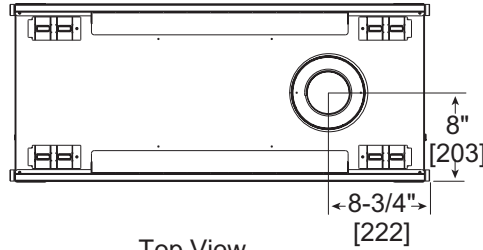




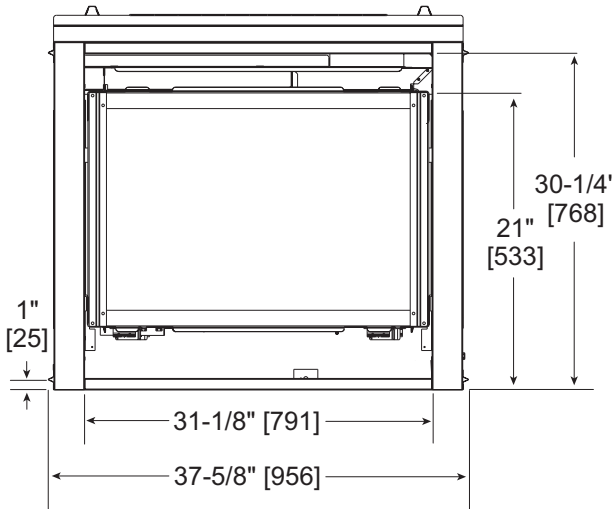
Please consult the manufacturer's installation manual for all details and requirements before making a final design layout decision.

**GDST38311**  
**See-Through Direct Vent**  
**Gas Fireplace**

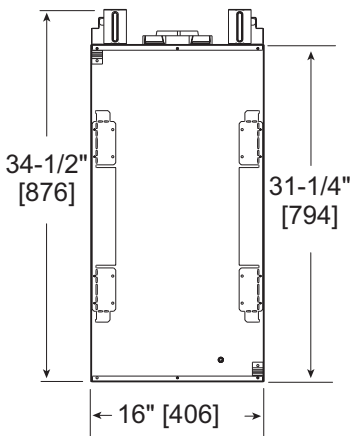
MODEL	HEIGHT		FRONT WIDTH		BACK WIDTH		DEPTH		VIEWING AREA
	Actual	Framing	Actual	Framing	Actual	Framing	Actual	Framing	
GDST38311	34-1/2" [876]	34-3/4" [883]	37-5/8" [956]	38-1/8" [968]	37-5/8" [956]	38-1/8" [968]	16" [406]	15" [381]	27-3/16" x 18-1/16" [691 x 459]



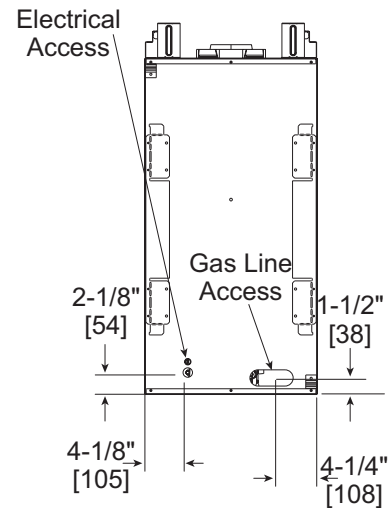
Top View



Front View



Left Side View

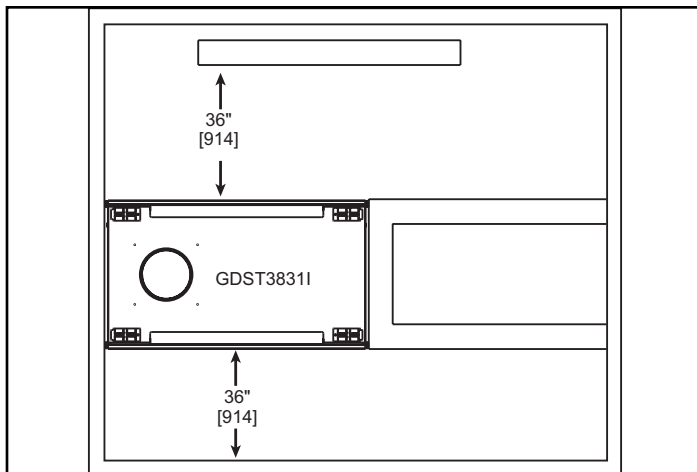


Right Side View

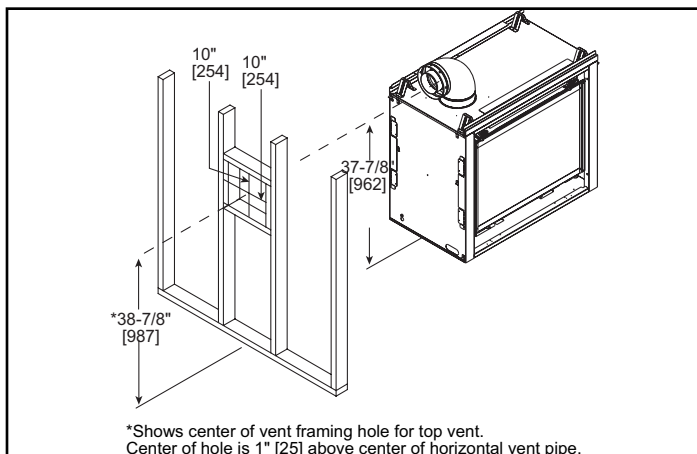
**MINIMUM FIREPLACE CLEARANCES**

AREA	TO COMBUSTIBLES
CLEARANCE TO CEILING	31
COMBUSTIBLE/NON-COMBUSTIBLE FLOOR	0
ENDS OF APPLIANCE	1/2
GLASS SIDES OF APPLIANCE	36

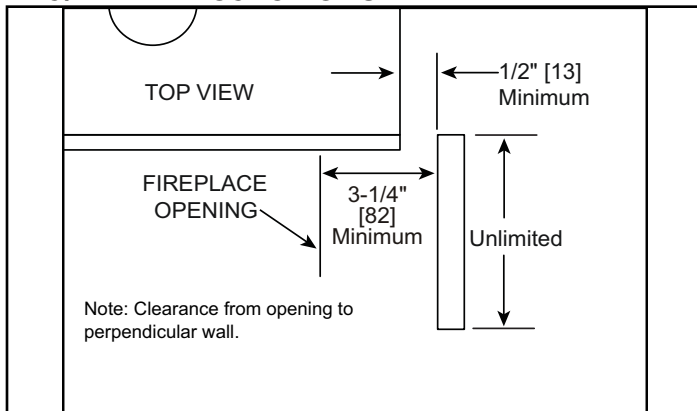
**APPLIANCE LOCATION**



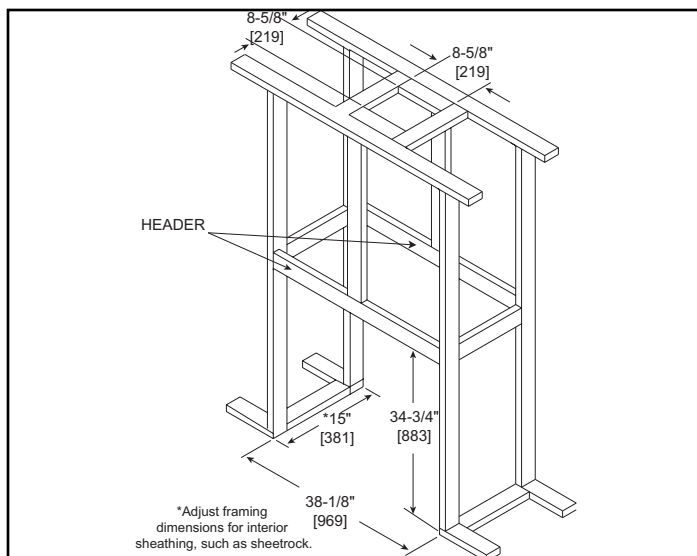
**WALL PENETRATION**



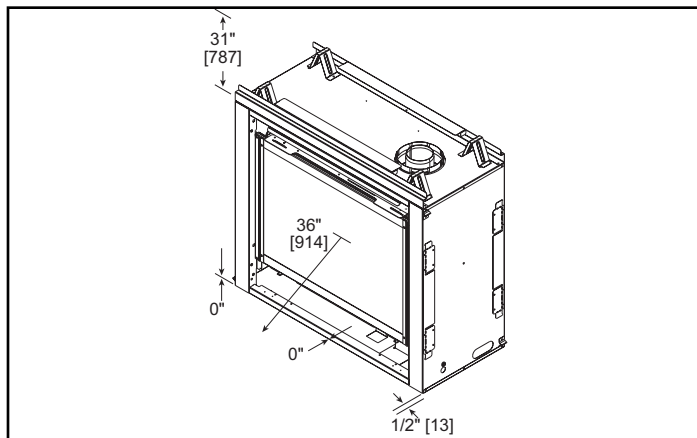
**LEG/WALL PROJECTIONS**



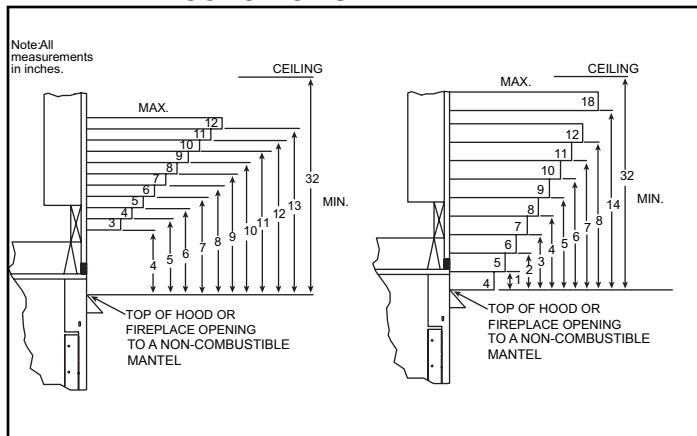
**FRAMING DIMENSIONS**



**CLEARANCES TO COMBUSTIBLES**



**MANTEL PROJECTIONS**



PRODUCT LISTING CODES	
US	ANSI Z21.88-2007
CAN	CSA 2.33a-2007
US LISTED	UL307B

Product information provided is not complete and is subject to change without notice. Product installation must adhere strictly to instructions accompanying product to avoid risk of fire and potential injury.

Additional information can be found online at [www.heatilator.com](http://www.heatilator.com)