



LOVE AT FIRST LIGHT

Exacta

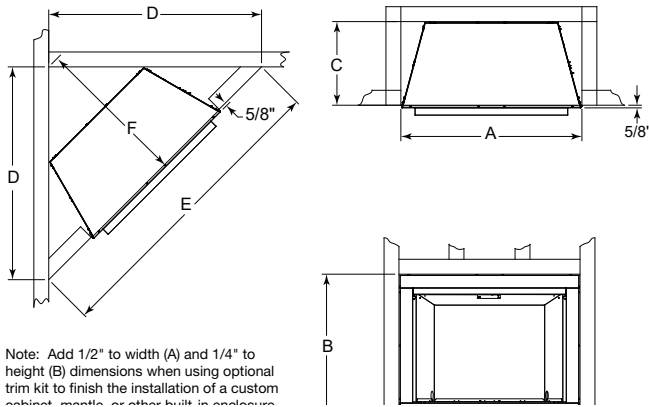
32" Vent Free Gas Fireplace

Scan QR code for installation manual for final dimensions and requirements.



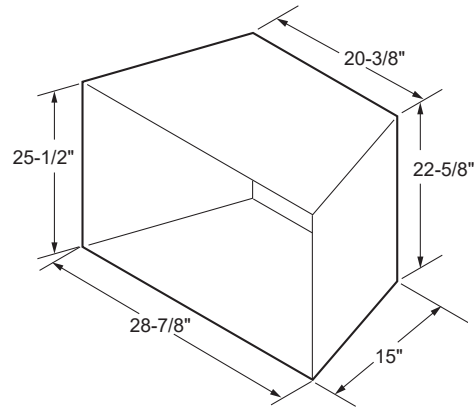
FRAMING DIMENSIONS	FRONT WIDTH	BACK WIDTH	HEIGHT	DEPTH	VIEWING AREA
		38-1/2"	38-1/2"	34-1/4"	19-3/4"

FRAMING DIMENSIONS



A	B	C	D	E	F
38-1/2" (978mm)	34-1/4" (870mm)	19-3/4" (502mm)	47-1/4" (1201mm)	66-3/4" (1696mm)	33-1/2" (851mm)

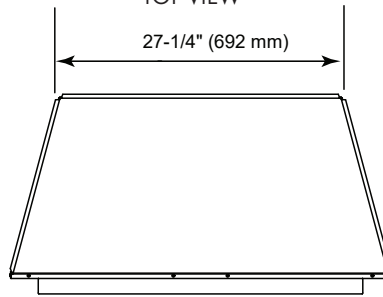
MINIMUM HEARTH DIMENSIONS



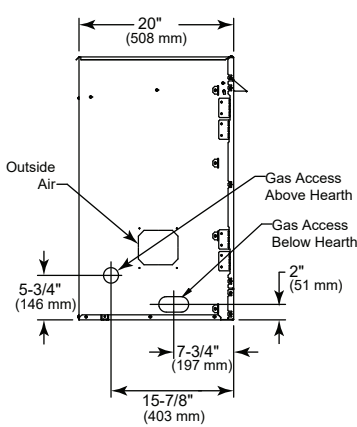
Dimensions shown are with concrete liner installed.

ACTUAL DIMENSIONS	FRONT WIDTH	BACK WIDTH	HEIGHT	DEPTH	VIEWING AREA
		38"	27-1/4"	34"	20"

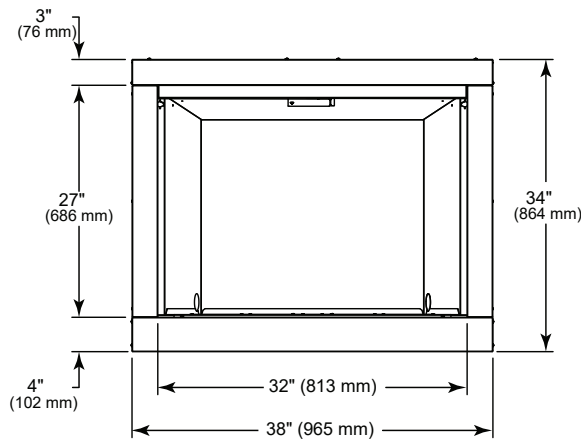
TOP VIEW



LEFT SIDE



FRONT VIEW



RIGHT SIDE

