

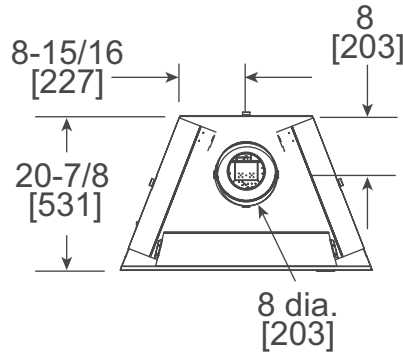


Please consult the manufacturer's installation manual for all details and requirements before making a final design layout decision.

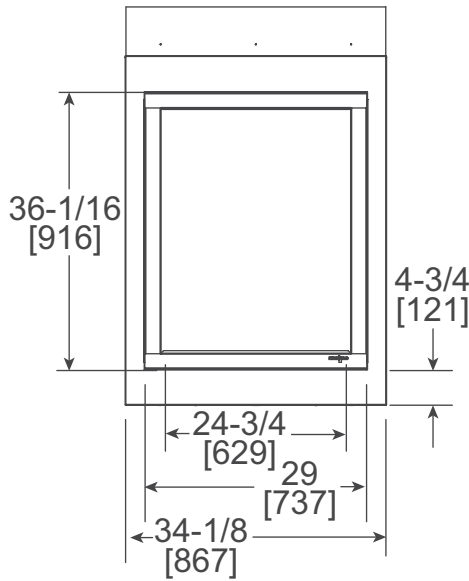
Everest

Direct Vent Gas Fireplace

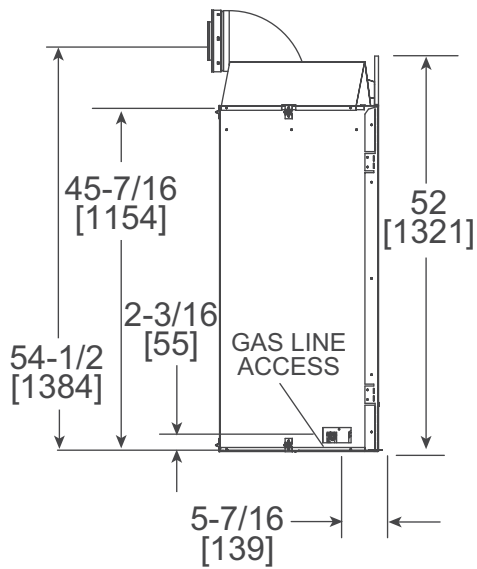
MODEL	FRONT WIDTH		BACK WIDTH		HEIGHT		DEPTH		GLASS SIZE
	Actual	Framing	Actual	Framing	Actual	Framing	Actual	Framing	
EVEREST	34-1/8	35-1/8	17-7/8	35-1/8	52	51-1/2	20-7/8	21-3/8	24-3/4 x 31-1/2



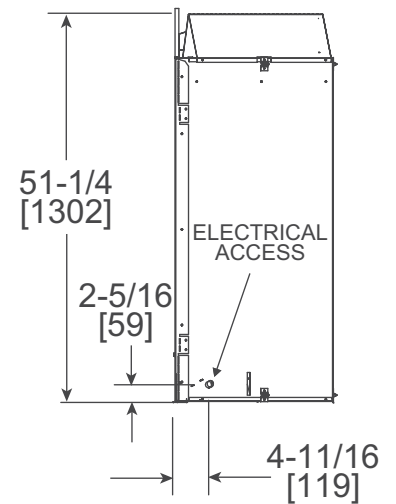
TOP VIEW



FRONT VIEW



LEFT VIEW

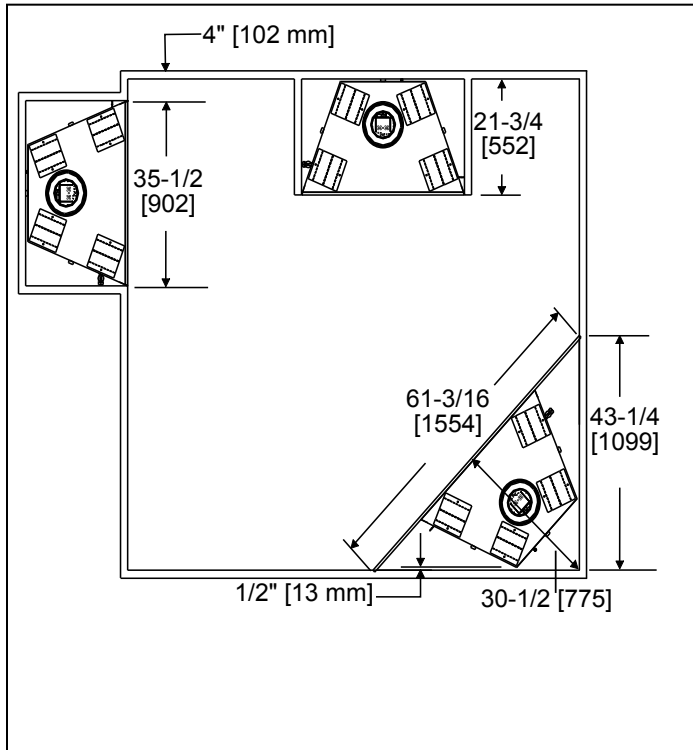


RIGHT VIEW

MINIMUM FIREPLACE CLEARANCES

AREA	TO COMBUSTIBLES (in inches)
CLEARANCE TO CEILING	31
COMBUSTIBLE/NON-COMBUSTIBLE FLOOR	0
BEHIND APPLIANCE	1/2
SIDES OF APPLIANCE	1/2
FRONT OF APPLIANCE	36

APPLIANCE LOCATION

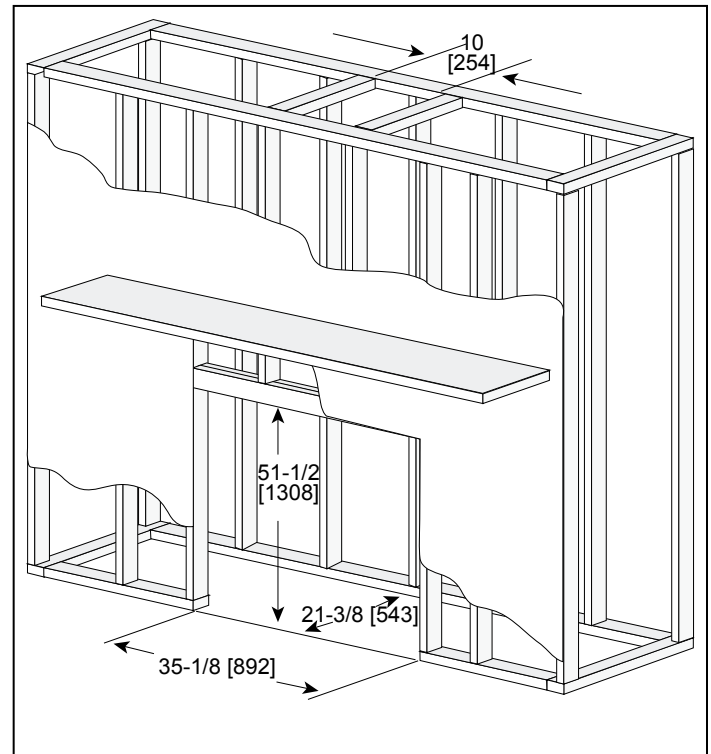


CLEARANCE TO COMBUSTIBLES

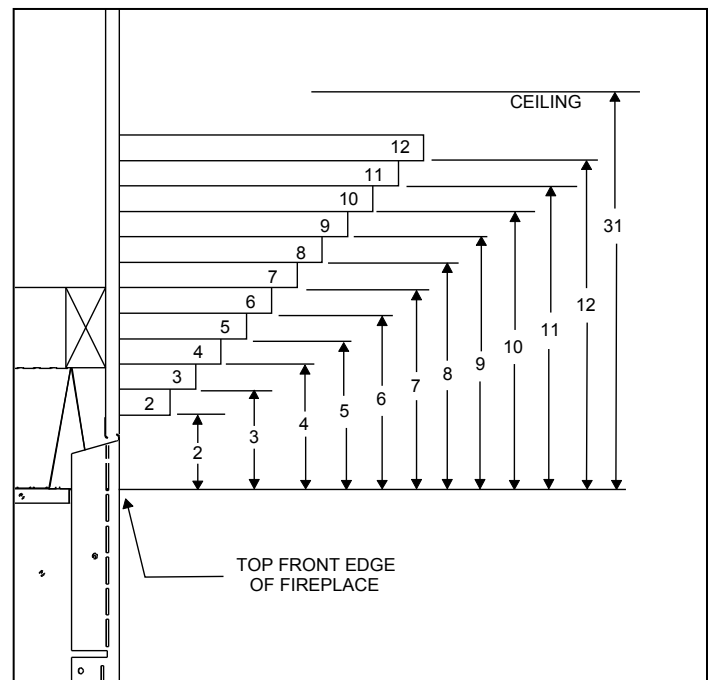
ATLAS Surround Requirements
 When installing this fireplace for use with the Atlas surround, the fireplace must be raised from the floor a minimum of 5-3/4" for proper fit of the surround. See instructions included with the Atlas Surround for more details.

* The clearance to the ceiling is measured from the top of the unit, excluding the stand-offs and collar.

FRAMING DIMENSIONS



MANTEL PROJECTIONS



PRODUCT LISTING CODES	
US	ANSI Z21.88-1998
CAN	CSA 2.33-M98
US LISTED	UL307B

Additional information can be found online at www.heatnglo.com