



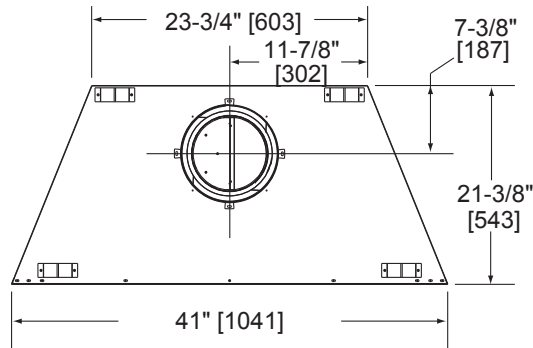
# Element

36" Wood-burning Fireplace

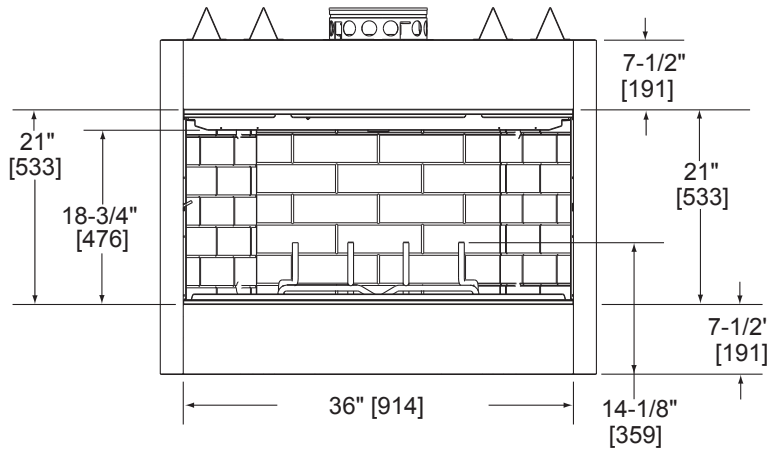
Scan QR code for installation manual for final dimensions and requirements.



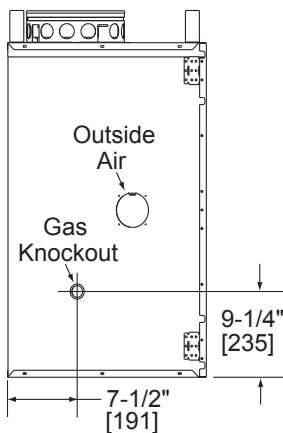
MODEL	FRONT WIDTH		BACK WIDTH		HEIGHT		DEPTH		FIREBOX OPENING
	Actual	Framing	Actual	Framing	Actual	Framing	Actual	Framing	
EL36-B	41"	42"	23-3/4"	42"	39-1/2"	39-3/4"	21-3/8"	21-1/2"	36" x 21"



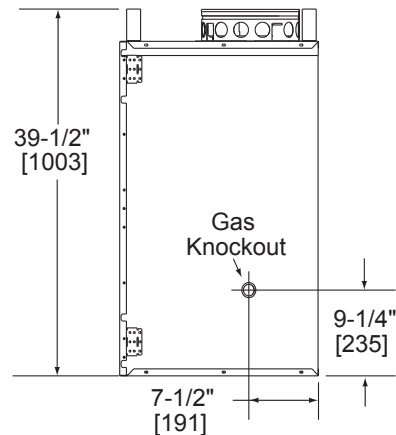
Top View



Front View

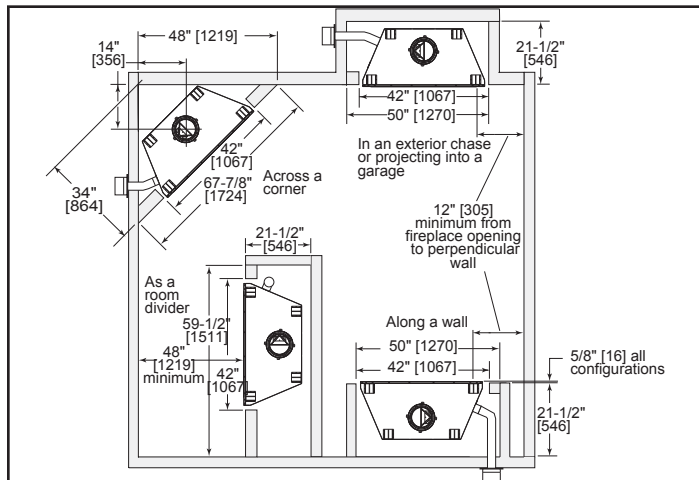


Left Side View

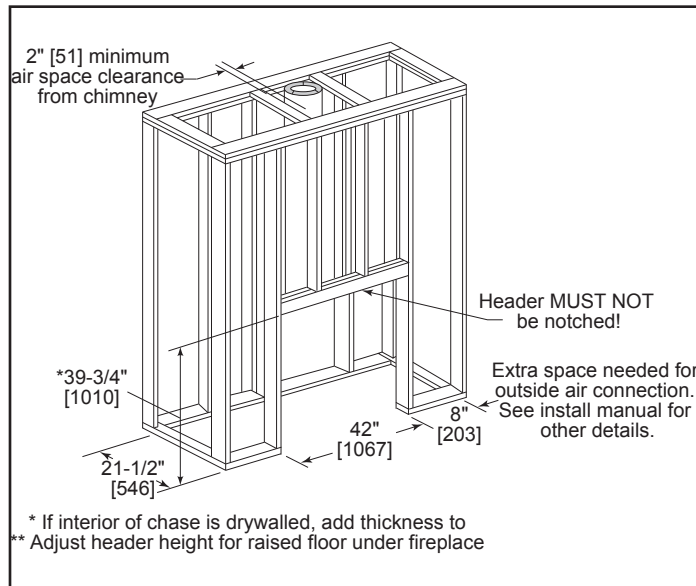


Right Side View

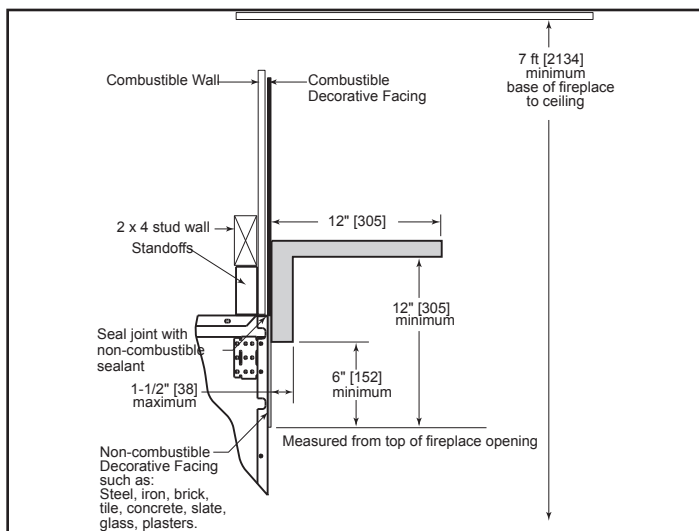
APPLIANCE LOCATION



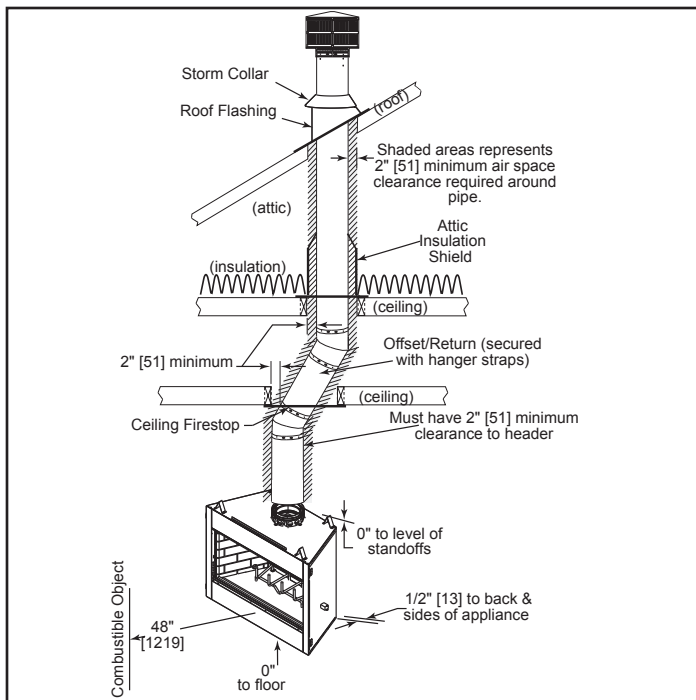
FRAMING DIMENSIONS



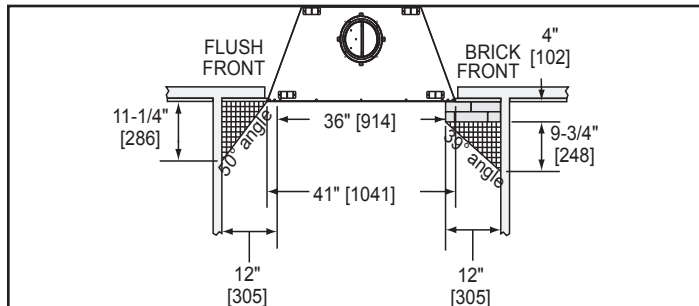
MANTEL PROJECTIONS



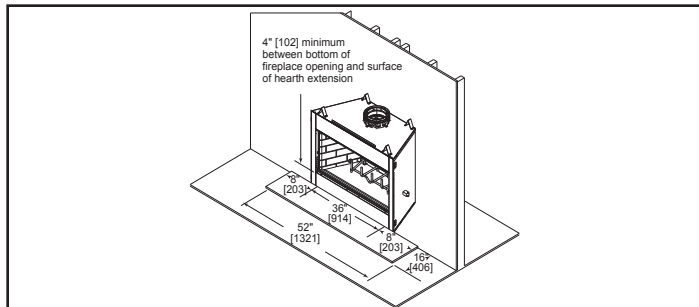
CLEARANCE TO COMBUSTIBLES



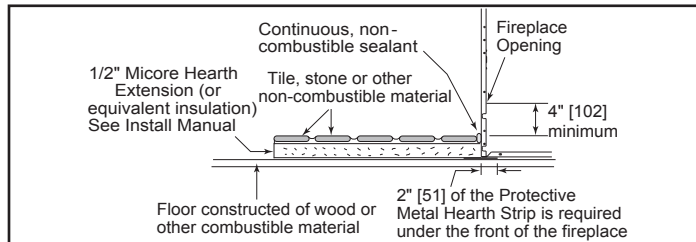
MANTEL LEG/WALL PROJECTIONS



HEARTH EXTENSIONS



HEARTH EXTENSION CONSTRUCTION



PRODUCT LISTING CODES	
US	UL 127
CAN	ULC-S610

Product information provided is not complete and is subject to change without notice. Product installation must adhere strictly to instructions accompanying product to avoid risk of fire and potential injury.



Additional information can be found online at [www.heatilator.com](http://www.heatilator.com).