

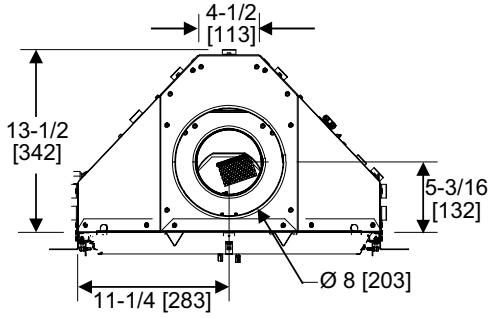


Please consult the manufacturer's installation manual for all details and requirements before making a final design layout decision.

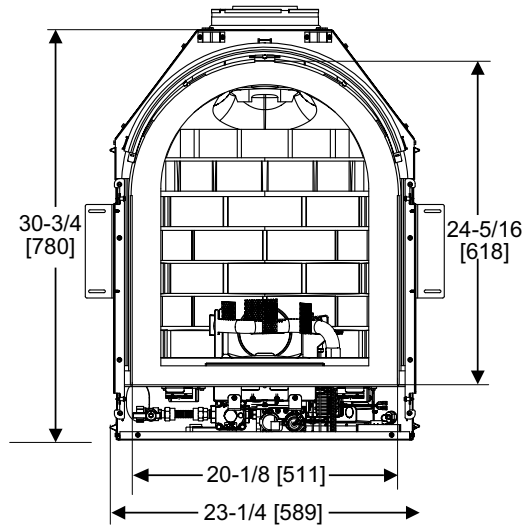
Crescent II

Direct Vent Gas Fireplace

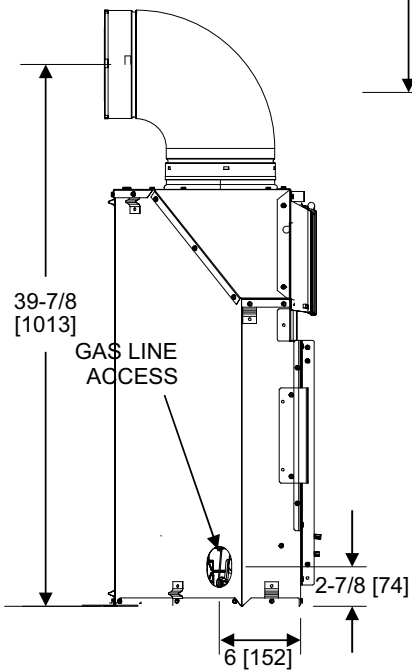
MODEL	FRONT WIDTH		BACK WIDTH		HEIGHT		DEPTH		VIEWING AREA
	Actual	Framing	Actual	Framing	Actual	Framing	Actual	Framing	
Crescent II	23-1/4	24-1/2	4-1/2	24-1/2	30-3/4	37	15-1/8	15-5/8	15-1/2 X 21



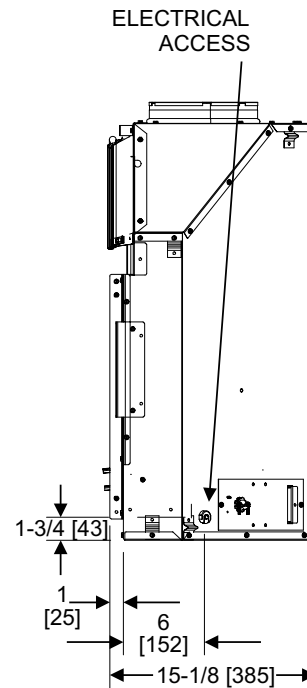
TOP VIEW



FRONT VIEW



LEFT VIEW



RIGHT VIEW

MINIMUM FIREPLACE CLEARANCES

AREA	TO COMBUSTIBLES (in inches)
CLEARANCE TO CEILING	27
NON-COMBUSTIBLE FLOOR	0
COMBUSTIBLE FLOORING	0
BEHIND APPLIANCE	1/2
SIDES OF APPLIANCE	1/2
FRONT OF APPLIANCE	36

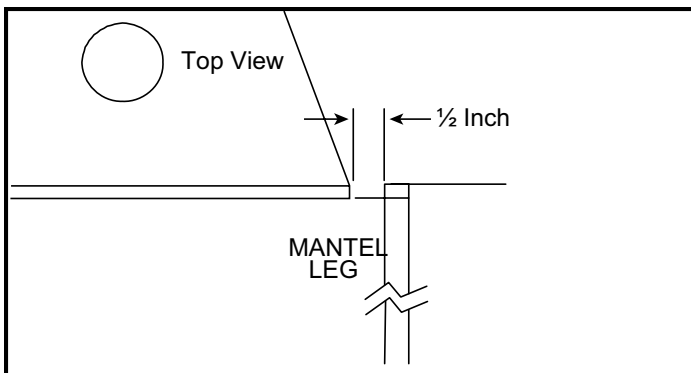
APPLIANCE LOCATION

	A	B	C	D
in.	24-5/8	23-1/2	34-7/8	15-1/8
mm	625	597	886	384

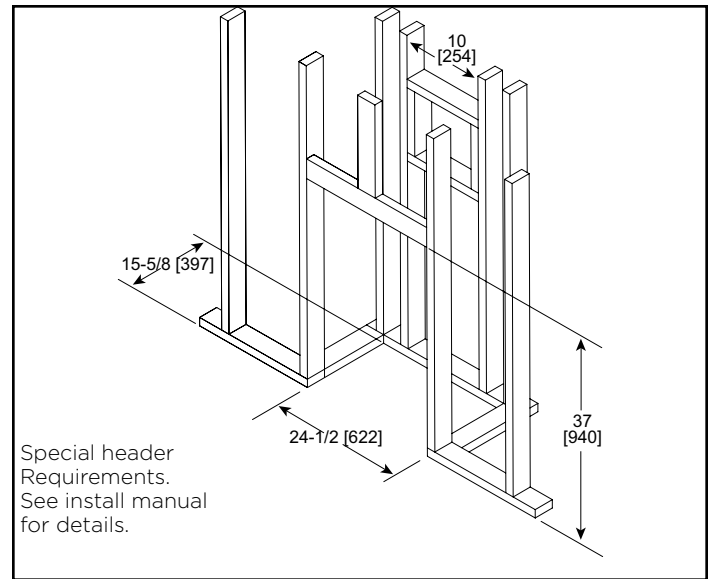
In addition to these framing dimensions, also reference the following sections of the installation manual:

- Clearances and Mantel Projections (Sections 3.C and 3.D)
- Vent Clearances and Framing (Section 6).

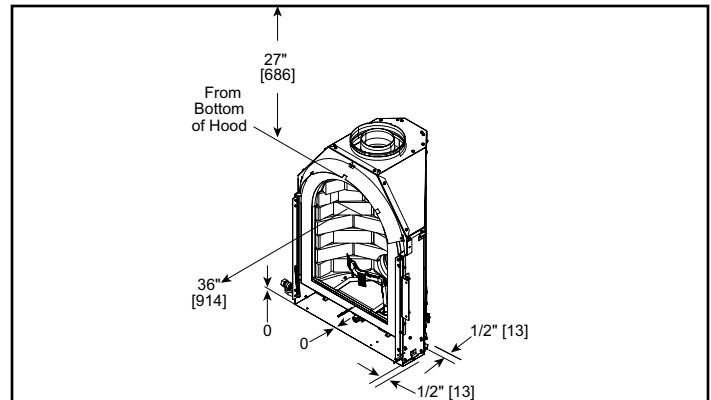
MANTEL LEG/WALL PROJECTIONS



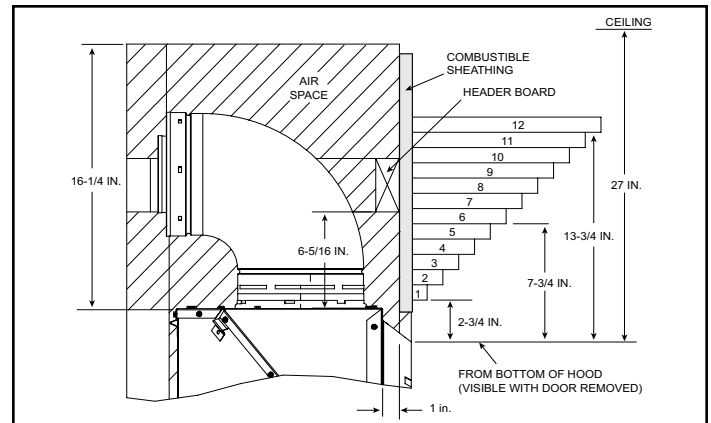
FRAMING DIMENSIONS



CLEARANCES TO COMBUSTIBLES



MANTEL PROJECTIONS



PRODUCT LISTING CODES	
US	ANSI Z21.88b-2002
CAN	CSA 2.33-M02
	UL307B

Product information provided is not complete and is subject to change without notice. Product installation must adhere strictly to instructions accompanying product to avoid risk of fire and potential injury.

Additional information can be found online at www.heatnglo.com