



Cottagewood

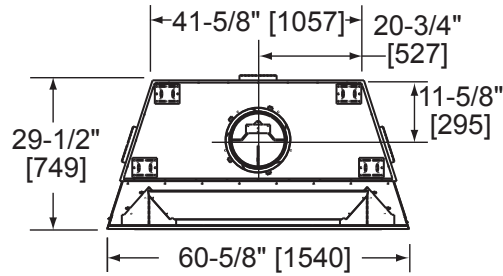
50" Outdoor Wood Fireplace

Scan QR code for installation manual for final dimensions and requirements.

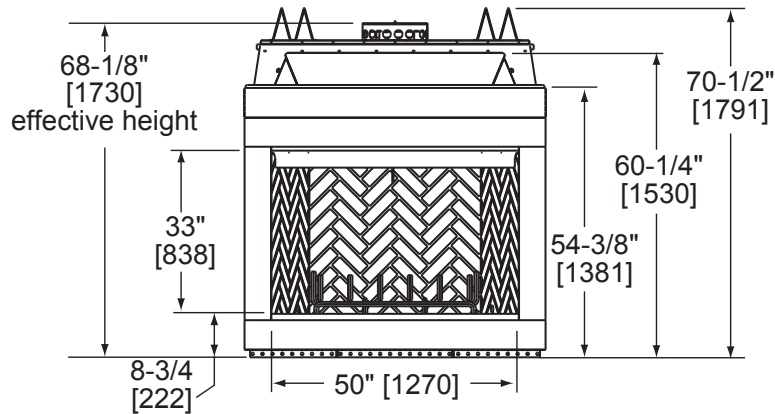


MODEL	FRONT WIDTH		BACK WIDTH		HEIGHT		DEPTH		FIREBOX OPENING
	Actual	Framing	Actual	Framing	Actual	Rough Opening Framing*	Actual	Framing	
ODCTGWD-50 ODCTGWD-50H	60-5/8"	61-5/8"	41-5/8"	61-5/8"	70-1/2"	71"	29-1/2"	30-1/2"	50" x 33"

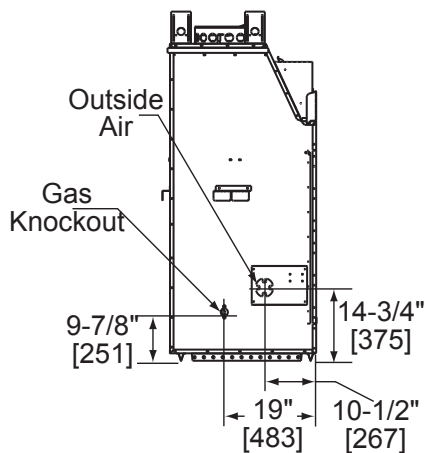
* Framing must be filled in to top of front standoff after unit is installed.



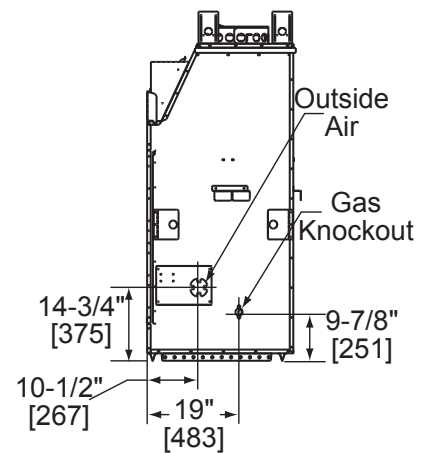
Top View



Front View

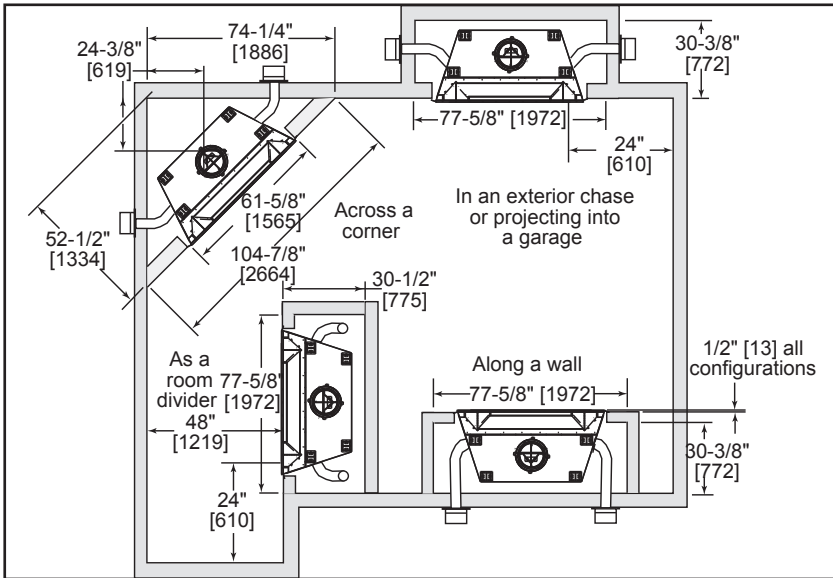


Left Side View

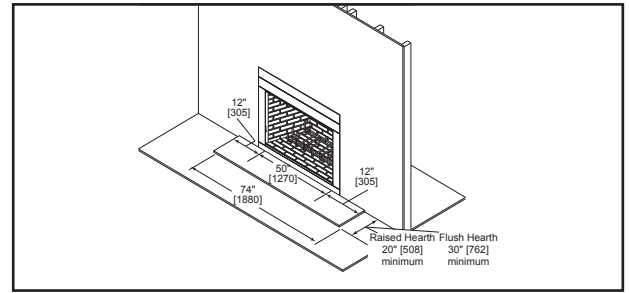


Right Side View

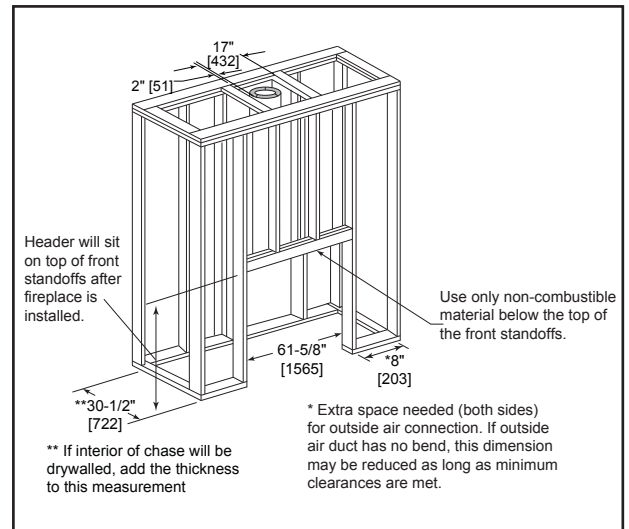
APPLIANCE LOCATION



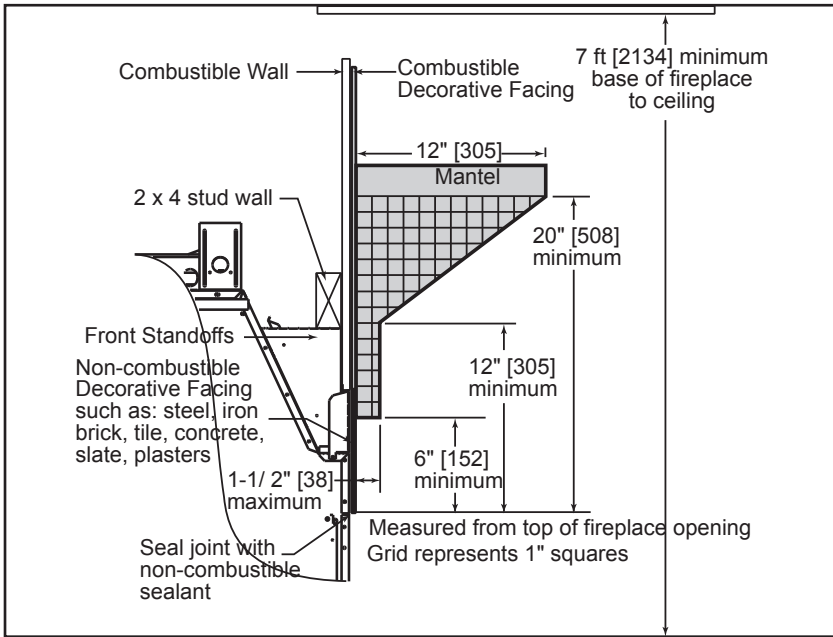
HEARTH EXTENSION



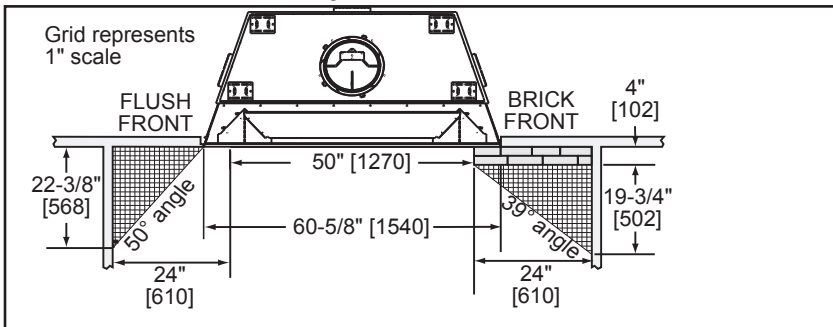
FRAMING DIMENSIONS



MANTEL PROJECTIONS



MANTEL LEG/WALL PROJECTIONS



PRODUCT LISTING CODES

US	UL127
CAN	ULC-S610-M87



Product information provided is not complete and is subject to change without notice. Product installation must adhere strictly to instructions accompanying product to avoid risk of fire and potential injury.

Additional information can be found online at www.fireplaces.com



A brand of Hearth & Home Technologies™ Inc.
 7571 215th Street West | Lakeville, MN 55044
 888-427-3973 | fireplaces.com