

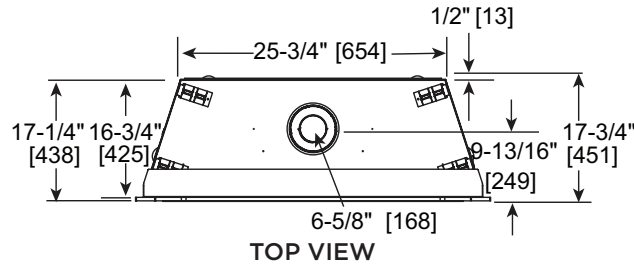


Please consult the manufacturer's installation manual for all details and requirements before making a final design layout decision.

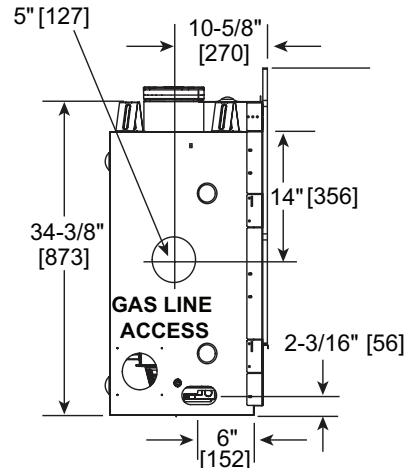
COSMO 32

Direct Vent Gas Fireplace

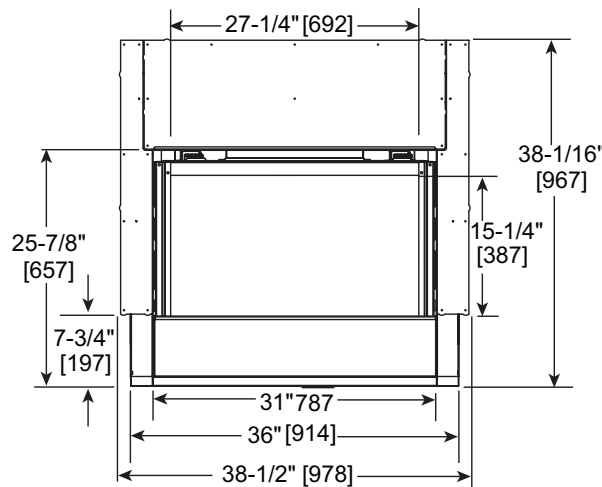
| MODEL | FRONT WIDTH | | BACK WIDTH | | HEIGHT | | DEPTH | | GLASS SIZE |
|-------------|--------------|---------------|------------------|--------------|-------------------|------------------|------------------|------------------|----------------------------------|
| | Actual | Framing | Actual | Framing | Actual | Framing | Actual | Framing | |
| COSMO32-IFT | 36" [914] | 37"* [940] | 25-3/4" [654] | 37" [940] | 38-1/16" [967] | 36-1/2" [927] | 17-1/4" [438] | 17-3/4" [451] | 27-1/4" x 15-1/4" [692 x 387] |



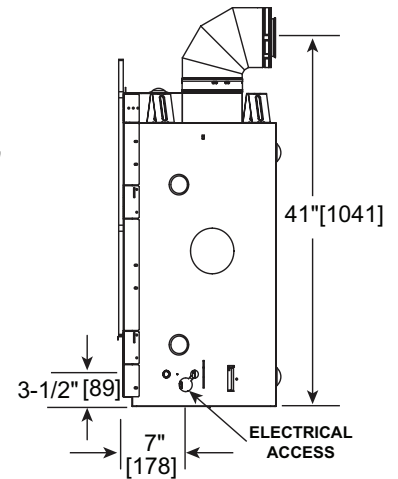
HEAT-MANAGEMENT ACCESS



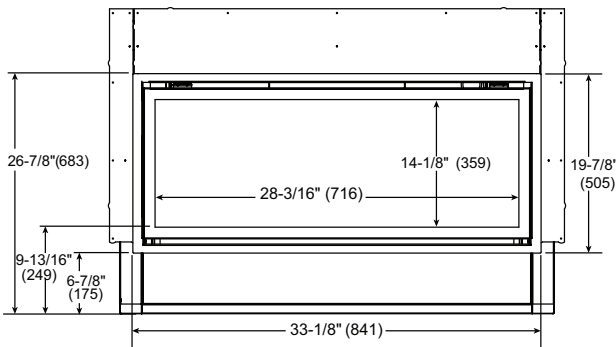
LEFT SIDE VIEW



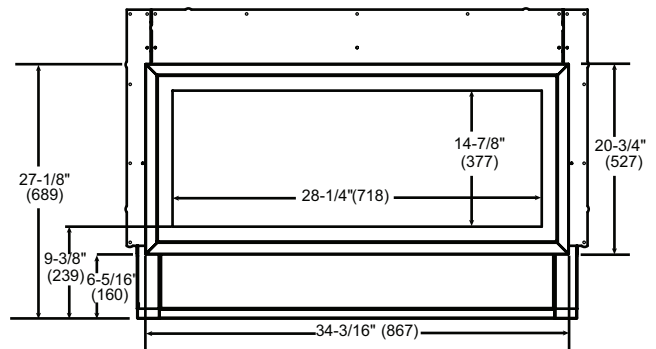
FRONT VIEW



RIGHT SIDE VIEW



CLEAN FACE TRIM



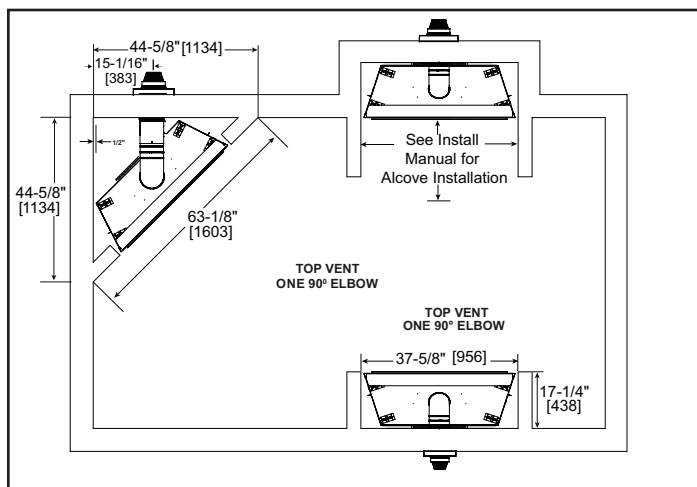
MARTINI FRONT

*Add 12" minimum for the addition of a heat management solution on each side of unit where placing them.

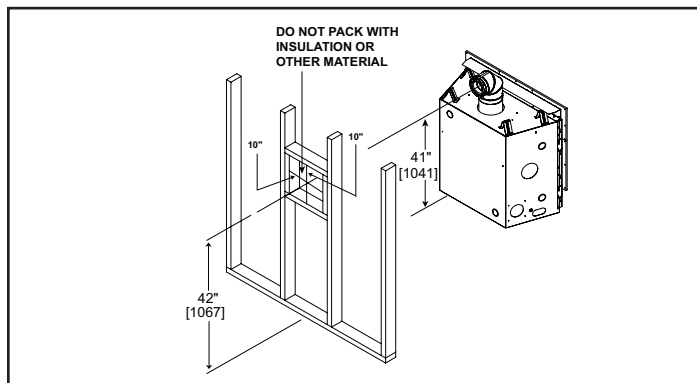
MINIMUM FIREPLACE CLEARANCES

| AREA | TO COMBUSTIBLES |
|-----------------------|-----------------|
| CLEARANCE TO CEILING | 31" [787] |
| NON-COMBUSTIBLE FLOOR | 0" [0] |
| COMBUSTIBLE FLOORING | 0" [0] |
| BEHIND APPLIANCE | 1/2" [13] |
| SIDES OF APPLIANCE | 1/2" [13] |
| FRONT OF APPLIANCE | 36" [914] |

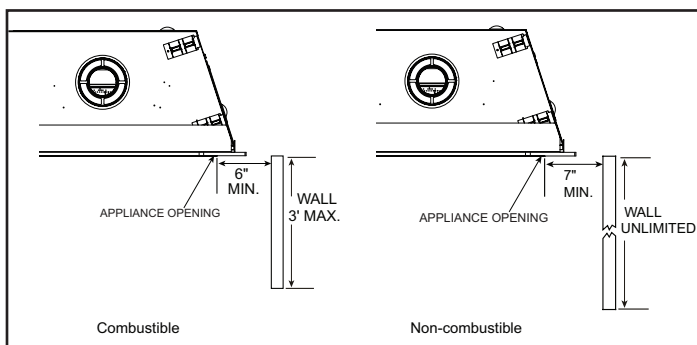
APPLIANCE LOCATION



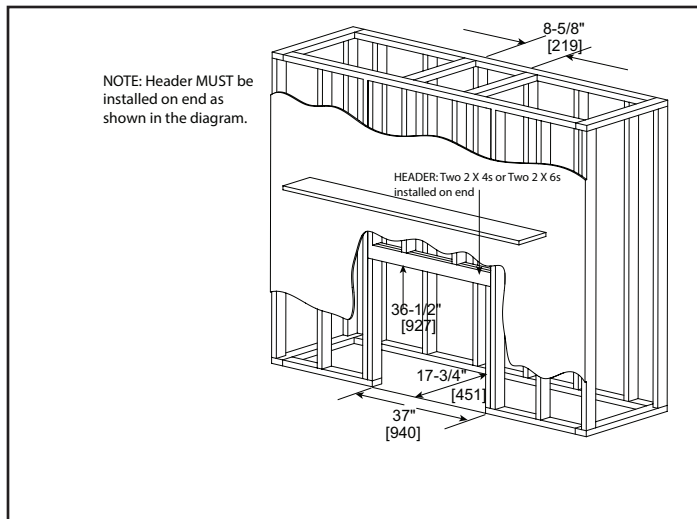
WALL PENETRATION



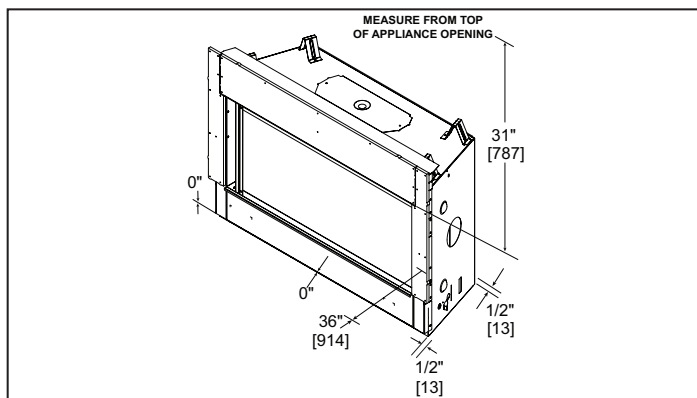
MANTEL LEG/WALL PROJECTIONS
(acceptable on both sides of appliance)



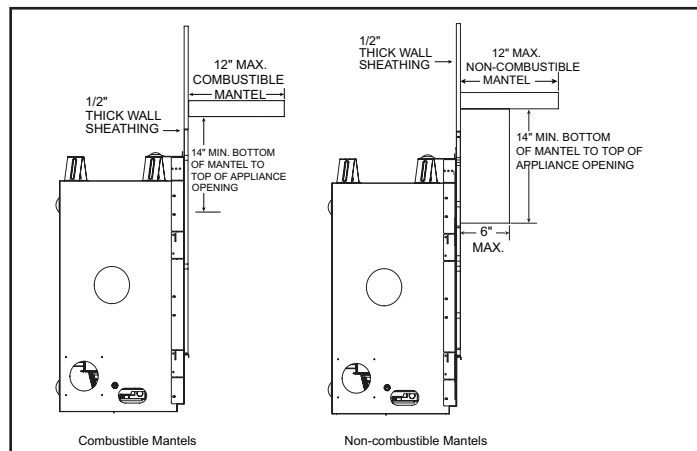
MINIMUM FRAMING DIMENSIONS



CLEARANCES TO COMBUSTIBLES



MANTEL PROJECTIONS
(or other materials above appliance)



| PRODUCT LISTING CODES | |
|-----------------------|------------------|
| US | ANSI Z21.88-2017 |
| CAN | CSA 2.33-2017 |
| US LISTED | UL307B |

Product information provided is not complete and is subject to change without notice. Product installation must adhere strictly to instructions accompanying product to avoid risk of fire and potential injury.

Additional information can be found online at www.heatnglo.com