

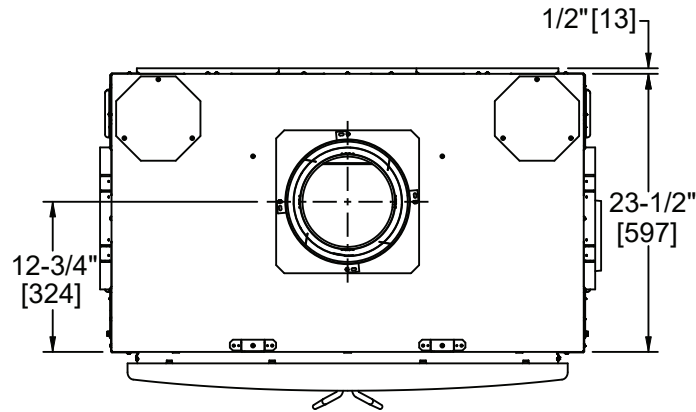


Please consult the manufacturer's installation manual for all details and requirements before making a final design layout decision.

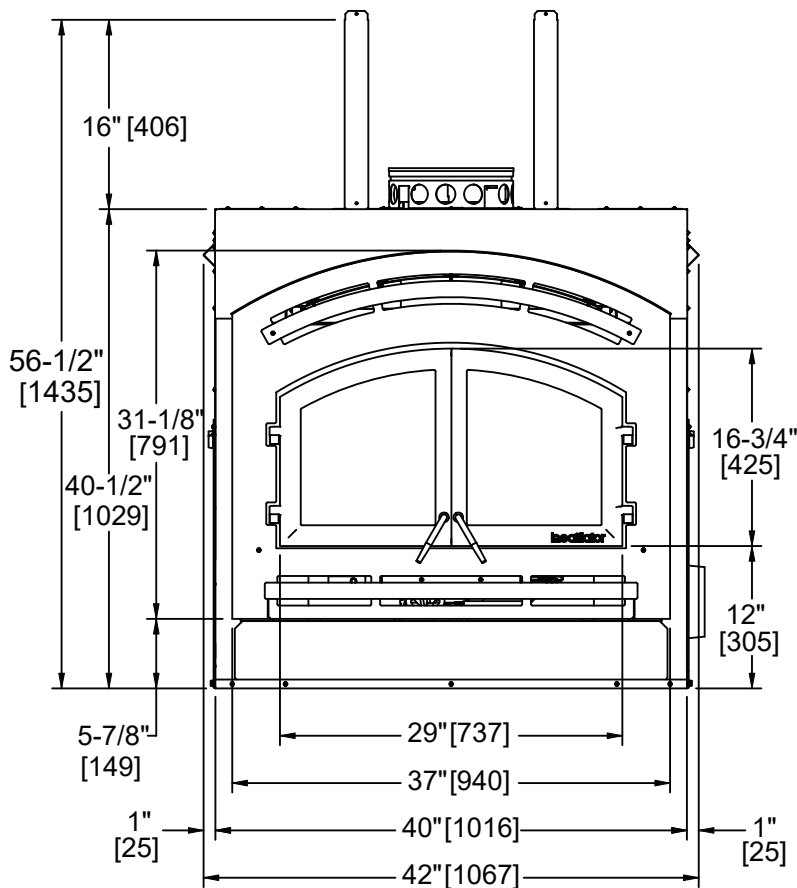
Constitution

EPA Wood-burning
Fireplace

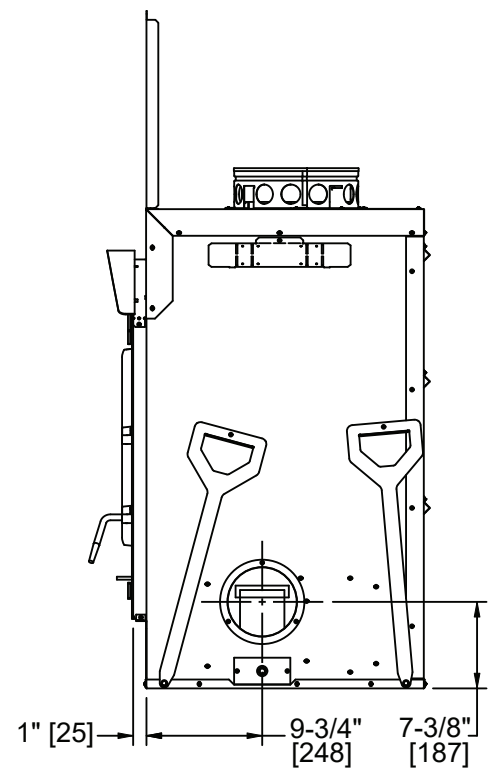
MODEL	FRONT WIDTH		BACK WIDTH		HEIGHT		DEPTH		FIREPLACE OPENING
	Unit	Framing	Unit	Framing	Unit	Framing	Unit	Framing	
C40-D	40"	42-1/2"	40"	42-1/2"	40-1/2"	56-3/4"	23-1/2"	24"*	37" x 31-1/8"



Top View



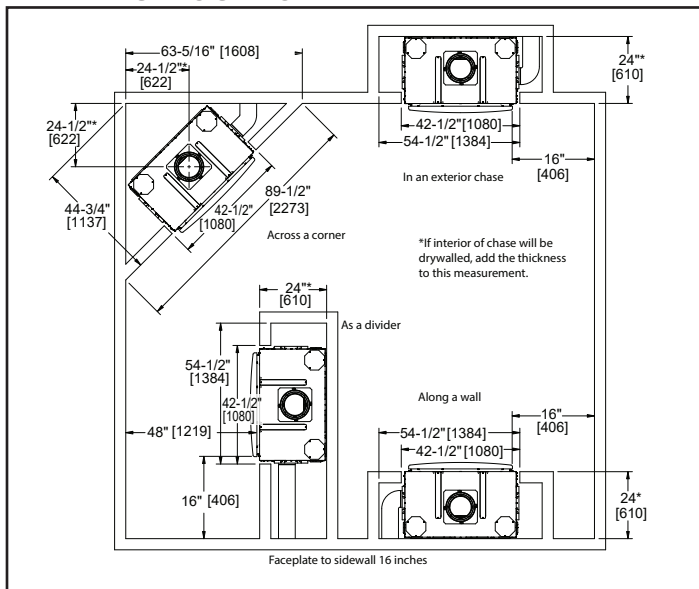
Front View



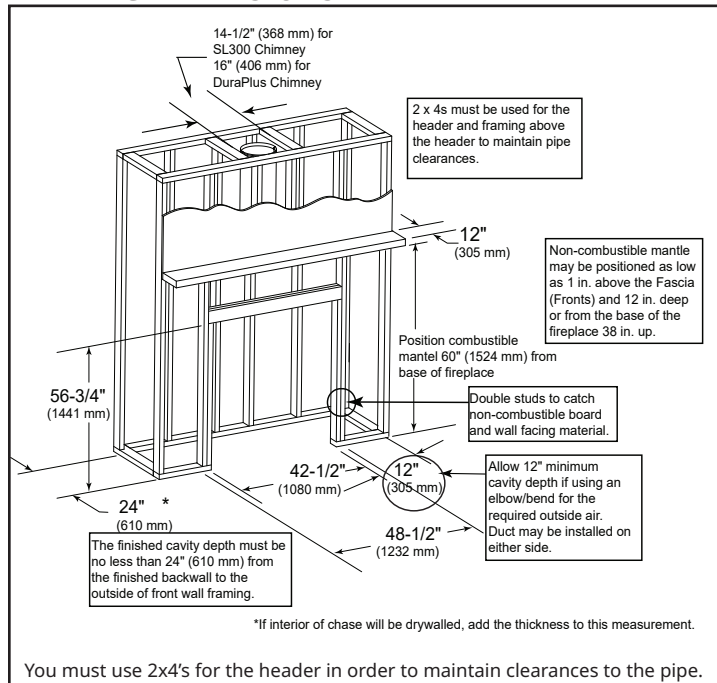
Right Side View

*If interior of chase will be drywalled, add the thickness to this measurement.

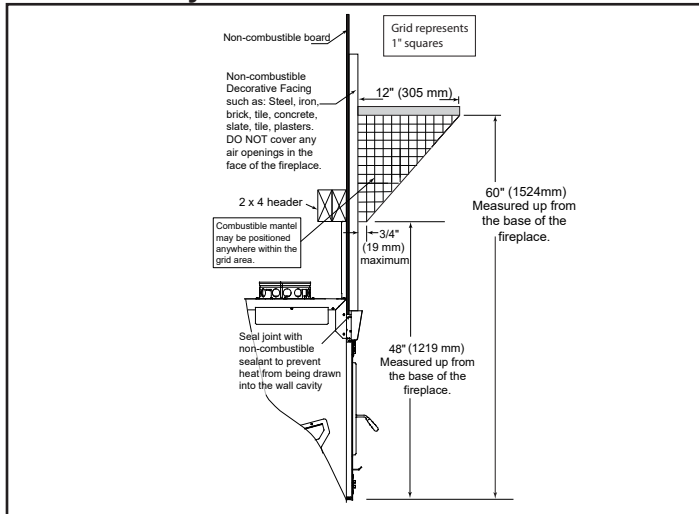
APPLIANCE LOCATION



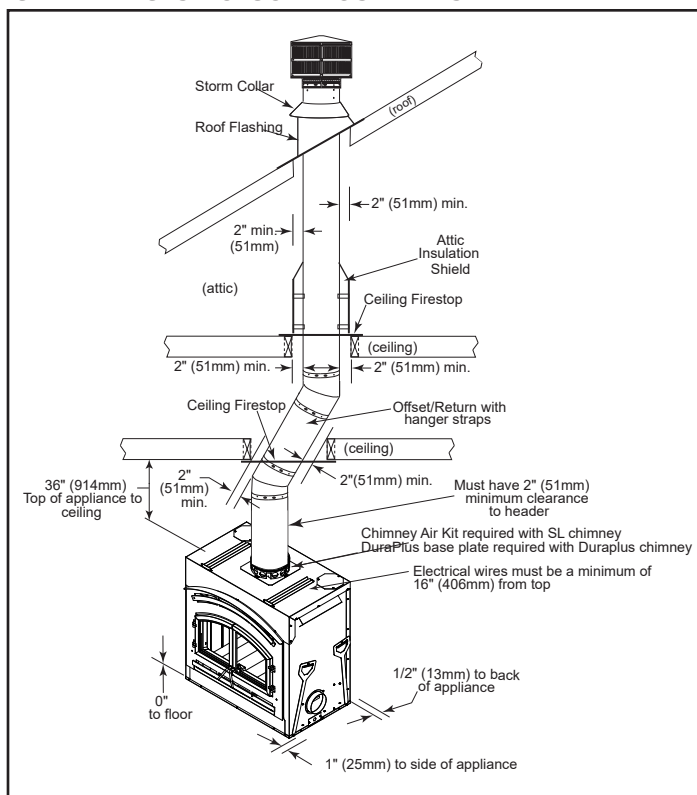
FRAMING DIMENSIONS



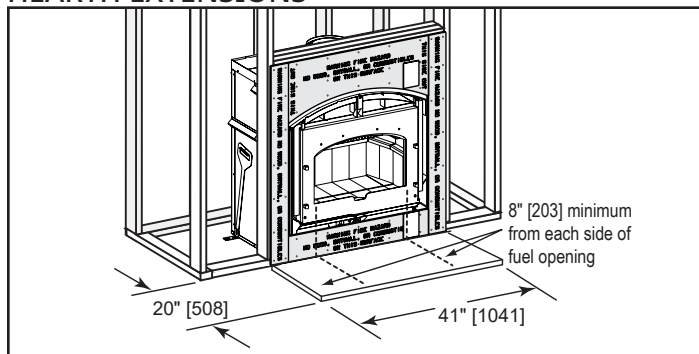
MANTEL PROJECTIONS



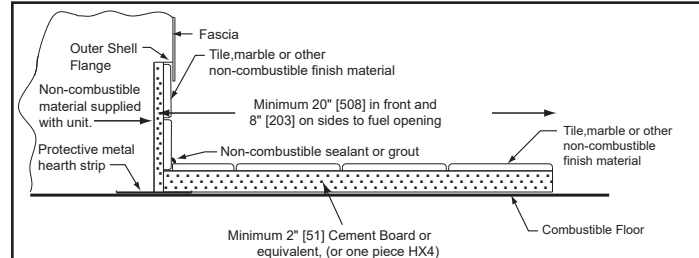
CLEARANCES TO COMBUSTIBLES



HEARTH EXTENSIONS



HEARTH EXTENSION CONSTRUCTION



See install manual figure 7.8 for raised hearth extension.

PRODUCT LISTING CODES	
US	UL 127
CAN	ULC-S610-M87

Product information provided is not complete and is subject to change without notice. Product installation must adhere strictly to instructions accompanying product to avoid risk of fire and potential injury.

Additional information can be found online at www.heatilator.com

heatilator
The first name in fireplaces

Lakeville, MN Phone: (800) 927-6841
Web: www.heatilator.com

