



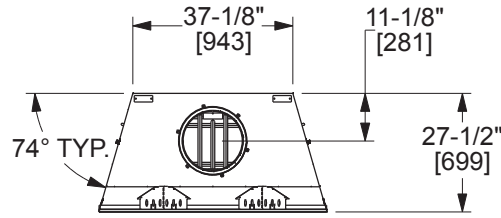
Castlewood

50" Outdoor Wood Fireplace

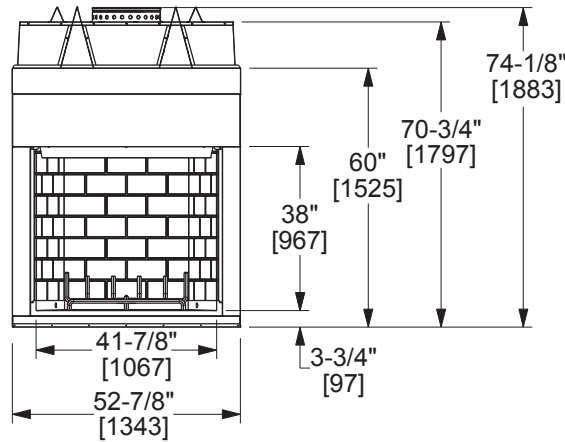
Scan QR code for installation manual for final dimensions and requirements.



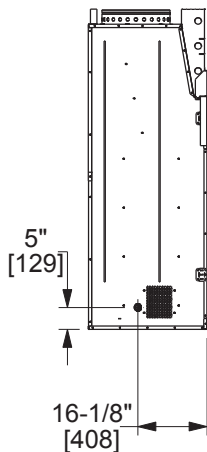
MODEL	FRONT WIDTH		BACK WIDTH		HEIGHT		DEPTH		FIREBOX OPENING
	Actual	Framing	Actual	Framing	Actual	Framing	Actual	Framing	
ODCASTLEWOOD-50	52-7/8"	53-7/8"	37-1/8"	53-7/8"	74-1/8"	74-1/2"	27-1/2"	28-3/8"	41-7/8" x 38"



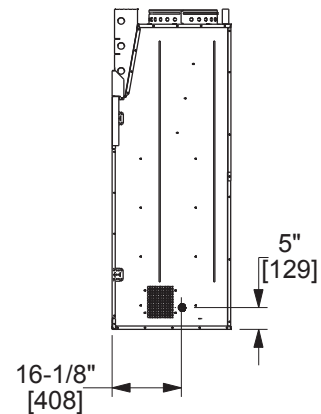
Top View



Front View

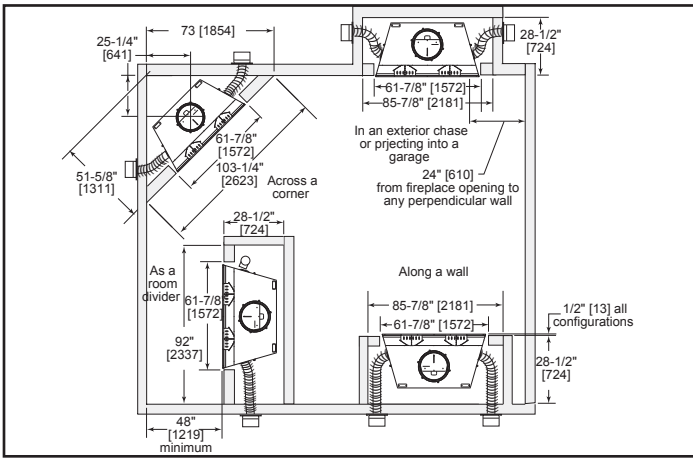


Left Side View

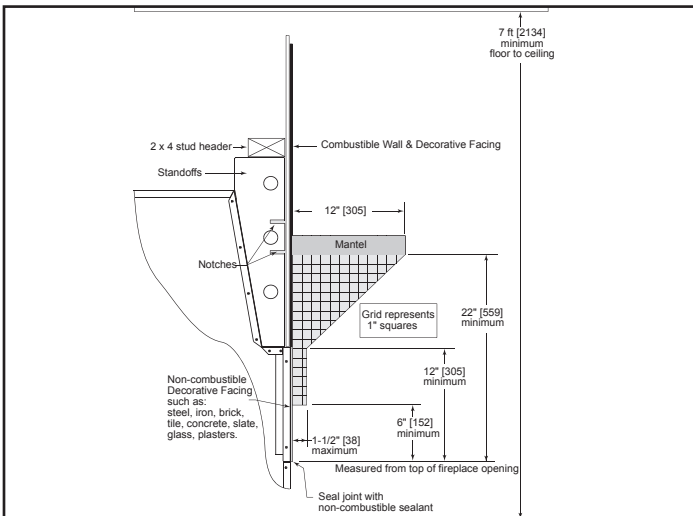


Right Side View

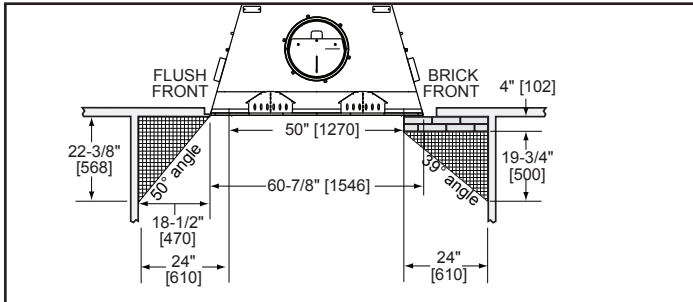
APPLIANCE LOCATION



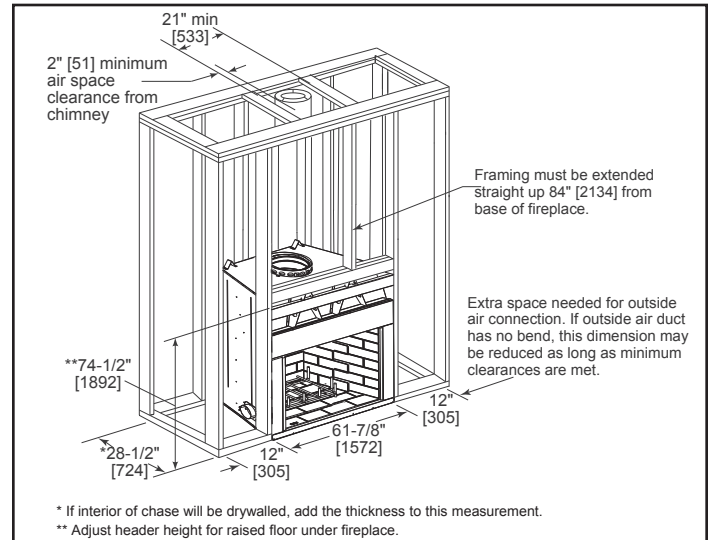
MANTEL PROJECTIONS



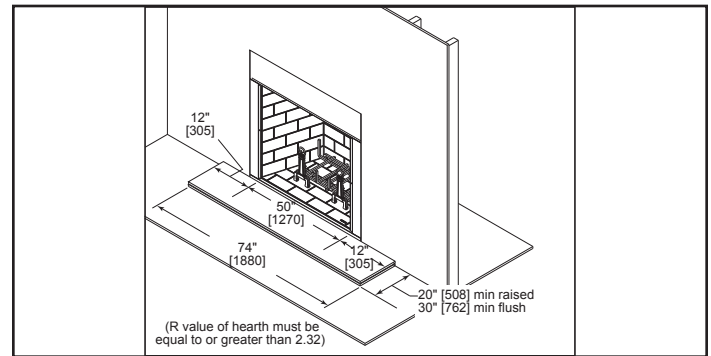
MANTEL LEG/WALL PROJECTIONS



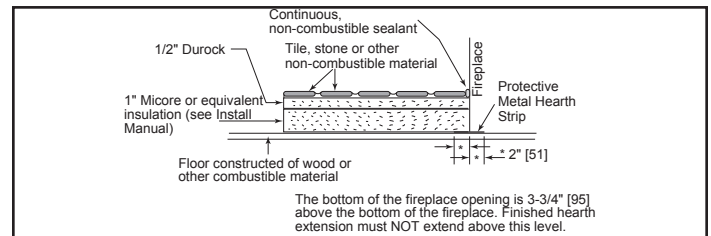
FRAMING DIMENSIONS



HEARTH EXTENSIONS



HEARTH EXTENSION CONSTRUCTION



PRODUCT LISTING CODES	
US	UL127
CAN	ULC-S610-M87

Product information provided is not complete and is subject to change without notice. Product installation must adhere strictly to instructions accompanying product to avoid risk of fire and potential injury.



Additional information can be found online at www.fireplaces.com



A brand of Hearth & Home Technologies™ Inc.
 7571 215th Street West | Lakeville, MN 55044
 888-427-3973 | fireplaces.com