

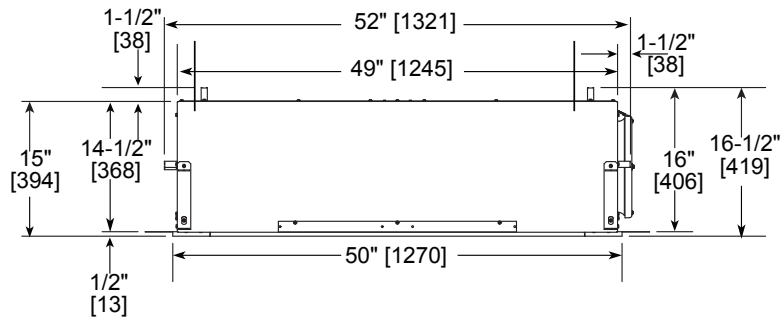


Please consult the manufacturer's installation manual for all details and requirements before making a final design layout decision.

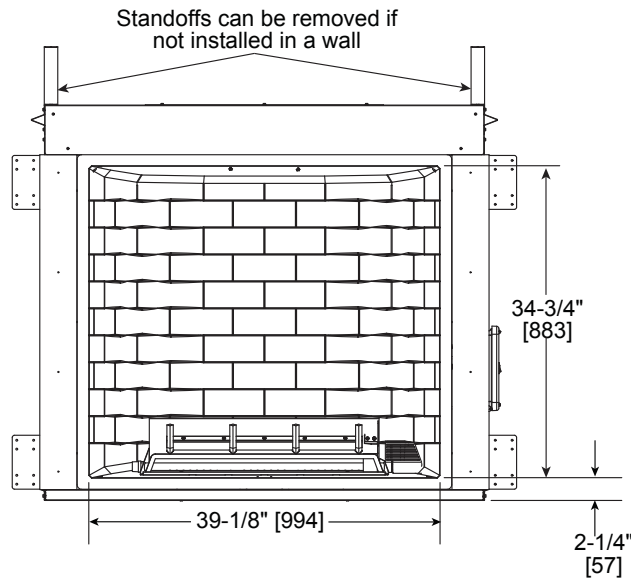
Carolina 42

Outdoor Gas Fireplace

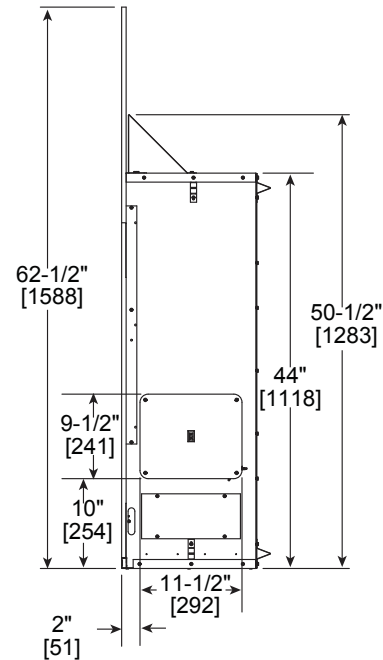
MODEL	FRONT WIDTH		BACK WIDTH		HEIGHT		DEPTH		VIEWING AREA
	Actual	Framing	Actual	Framing	Actual	Framing	Actual	Framing	
CARODG42I-C	50	54	49	54	50-1/2	50-3/4	15-1/2	17	39-1/8 x 34-3/4



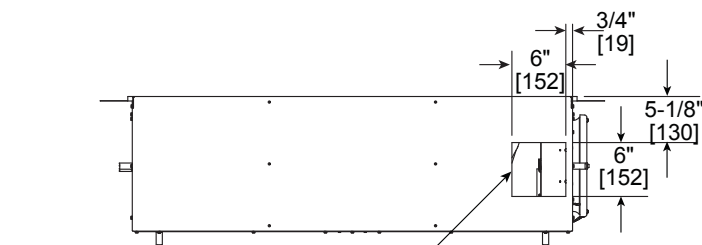
TOP



FRONT



SIDE



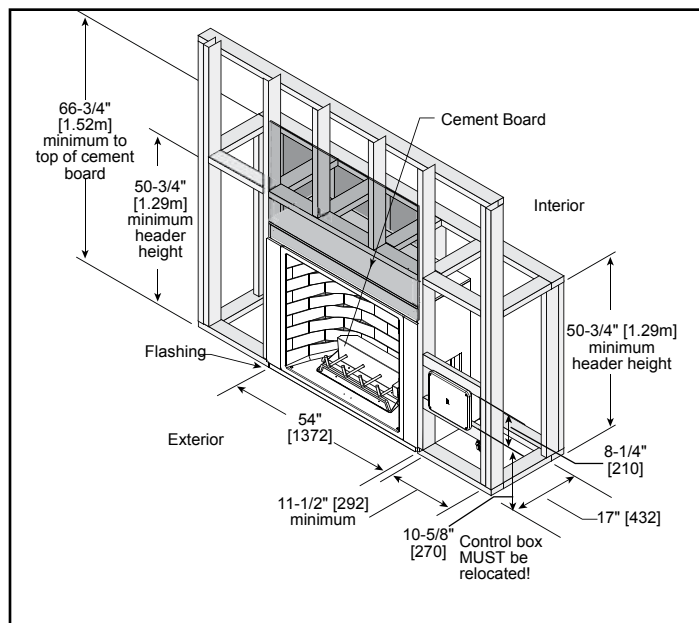
Gas access location on appliance if control box is located on side of appliance

BOTTOM

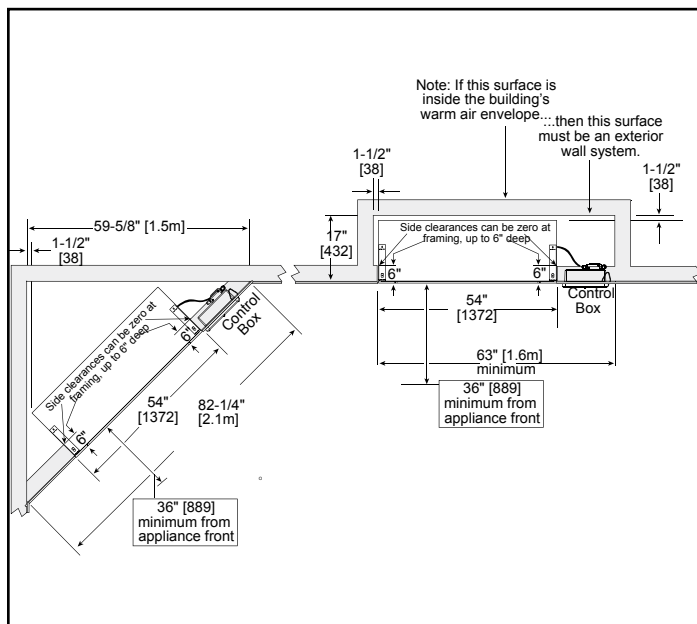
MINIMUM FIREPLACE CLEARANCES

AREA	TO COMBUSTIBLES (in inches)
CLEARANCE TO CEILING	82
COMBUSTIBLE/NON-COMBUSTIBLE FLOOR	0
FRONT OF APPLIANCE	36

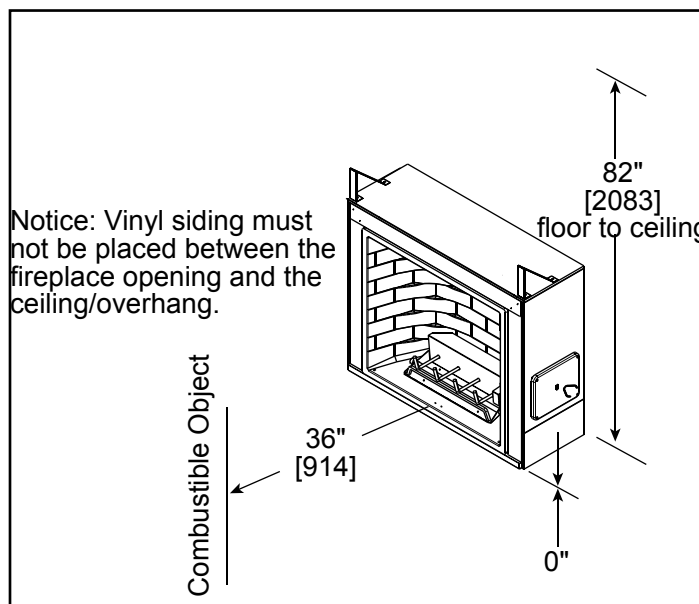
FRAMING DIMENSIONS



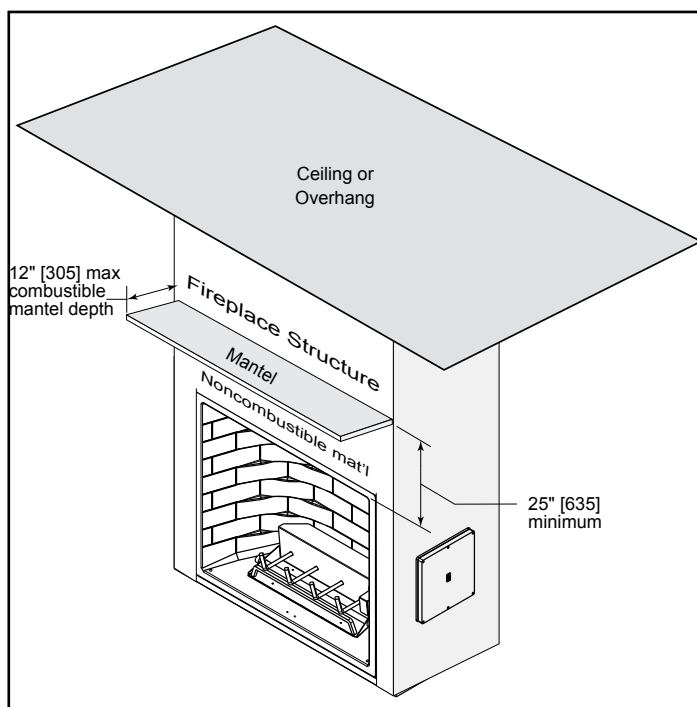
APPLIANCE LOCATION



CLEARANCES TO COMBUSTIBLES



MANTEL PROJECTIONS



PRODUCT LISTING CODES	
US	ANSI Z21.97-2008

Product information provided is not complete and is subject to change without notice. Product installation must adhere strictly to instructions accompanying product to avoid risk of fire and potential injury.

Additional information can be found online at www.fireplaces.com