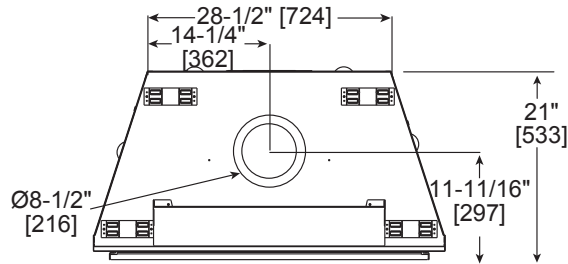




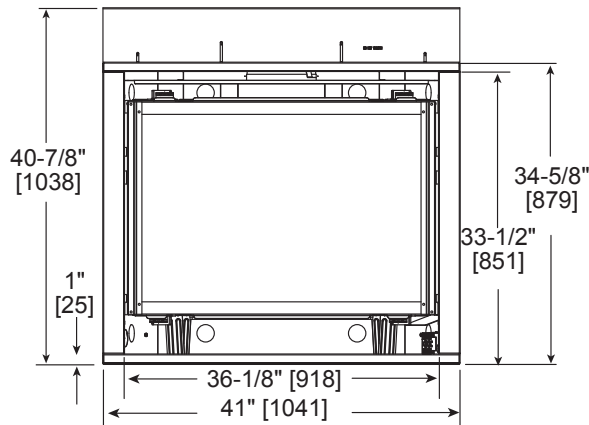
Please consult the manufacturer's installation manual for all details and requirements before making a final design layout decision.

# Caliber CD4236IFT Direct Vent Gas Fireplace

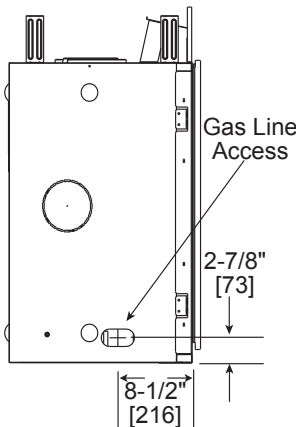
MODEL	FRONT WIDTH		BACK WIDTH		HEIGHT		DEPTH		GLASS SIZE
	Actual	Framing	Actual	Framing	Actual	Framing	Actual	Framing	
CD4236IFT	41	42	28-1/2	42	39-7/8	40-1/8	21	22	32 x 21-9/16



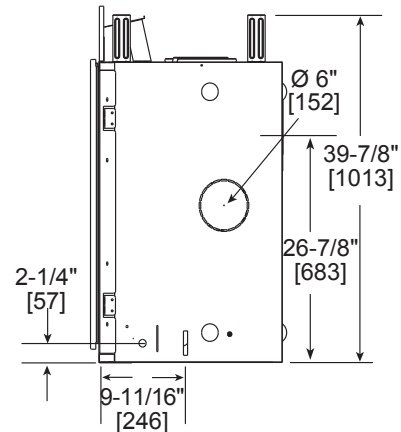
Top View



Front View



Left View

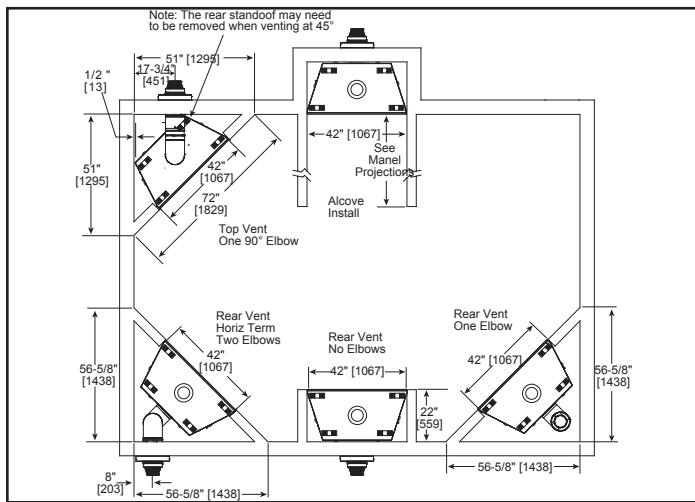


Right View

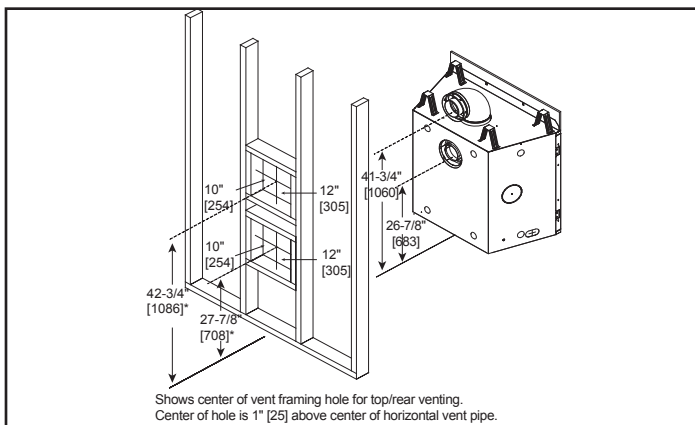
### MINIMUM FIREPLACE CLEARANCES

AREA	TO COMBUSTIBLES (in inches)
CLEARANCE TO CEILING	25
COMBUSTIBLE/NON-COMBUSTIBLE FLOOR	0
SIDES OF APPLIANCE	0
FRONT OF APPLIANCE	36

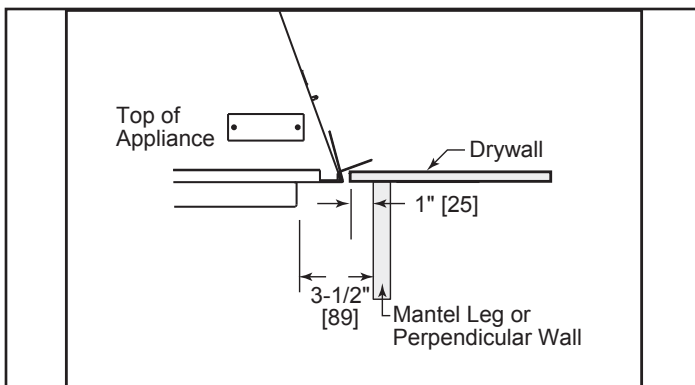
### APPLIANCE LOCATION



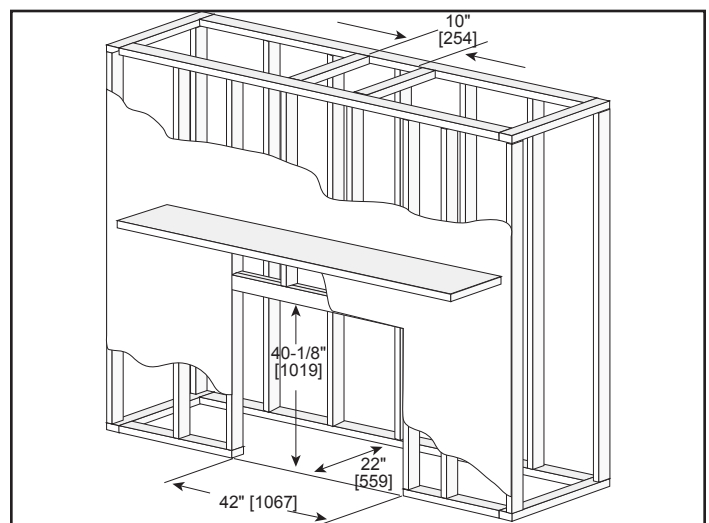
### WALL PENETRATION



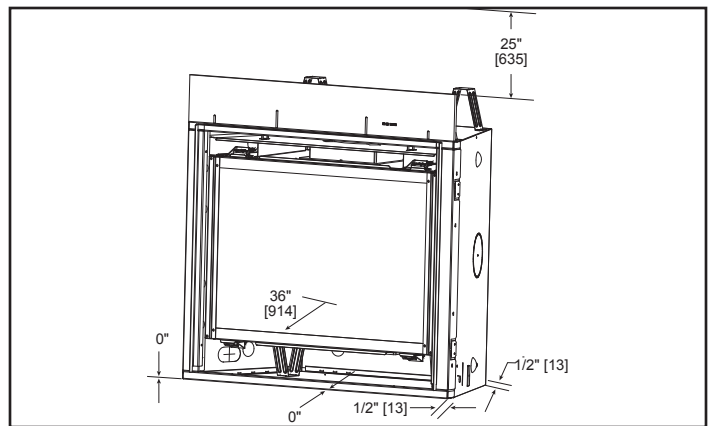
### MANTLE LEG/WALL PROJECTIONS



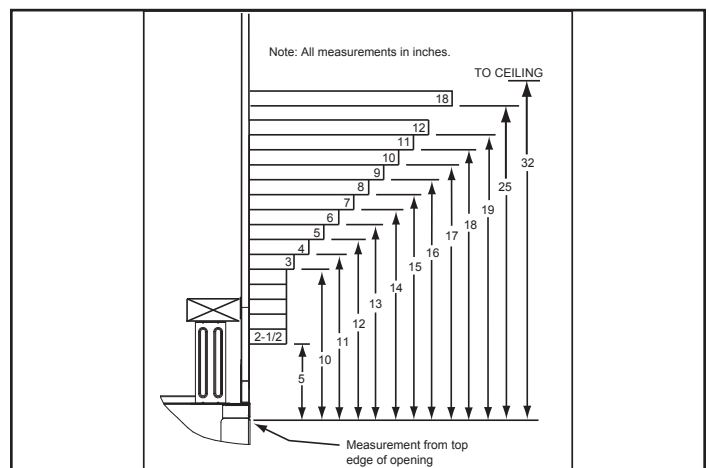
### FRAMING DIMENSIONS



### CLEARANCES TO COMBUSTIBLES



### MANTLE PROJECTIONS



PRODUCT LISTING CODES	
US	ANSI Z21.88-2014
CAN	CSA 2.33-2014
US LISTED	UL307B

Product information provided is not complete and is subject to change without notice. Product installation must adhere strictly to instructions accompanying product to avoid risk of fire and potential injury.

Additional information can be found online at [www.heatilator.com](http://www.heatilator.com)