



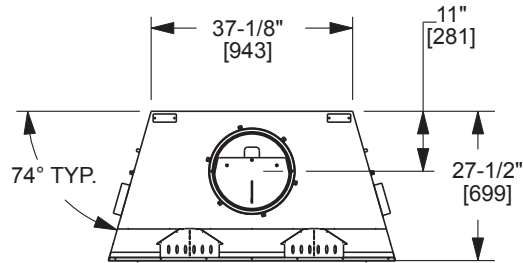
Birmingham

42" Wood Fireplace

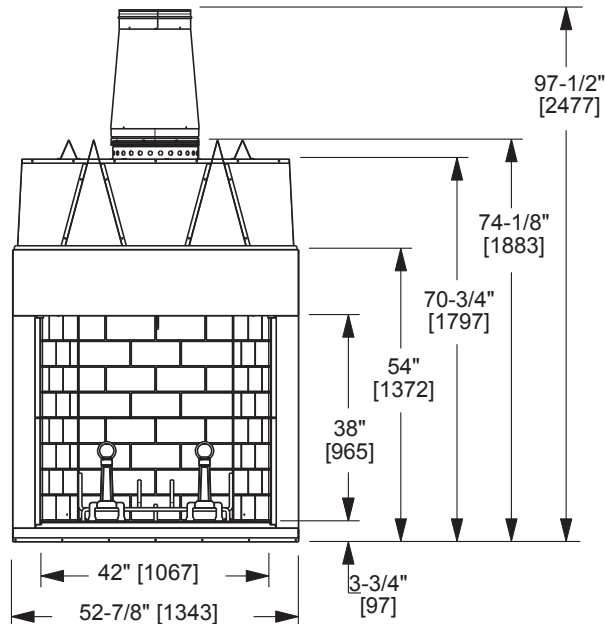
Scan QR code for installation manual for final dimensions and requirements.



MODEL	FRONT WIDTH		BACK WIDTH		HEIGHT		DEPTH		FIREPLACE OPENING
	Actual	Framing	Actual	Framing	Actual	Framing	Actual	Framing	
BIR42-C	52-7/8"	53-7/8"	37-1/8"	53-7/8"	74-1/8"	74-1/2"	27-1/2"	28-1/2"	42" x 38"

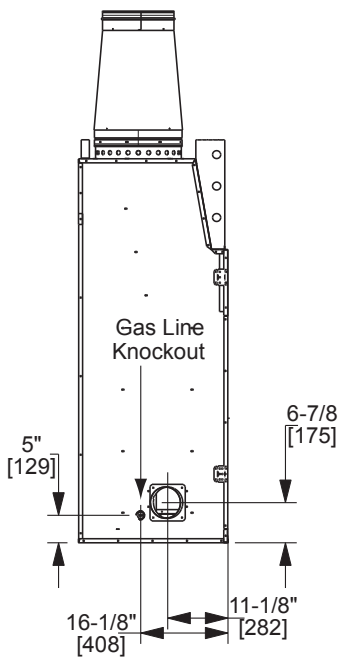


Top View

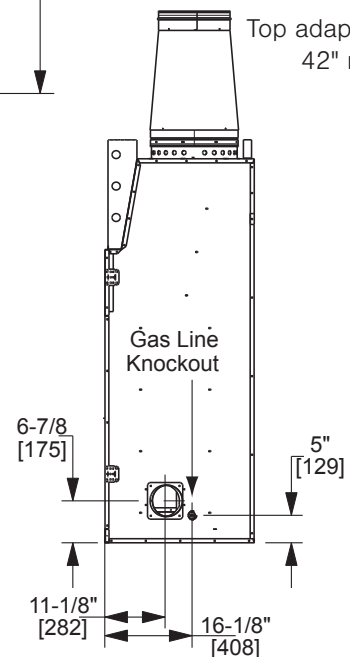


Front View

Top adapter only for 42" model

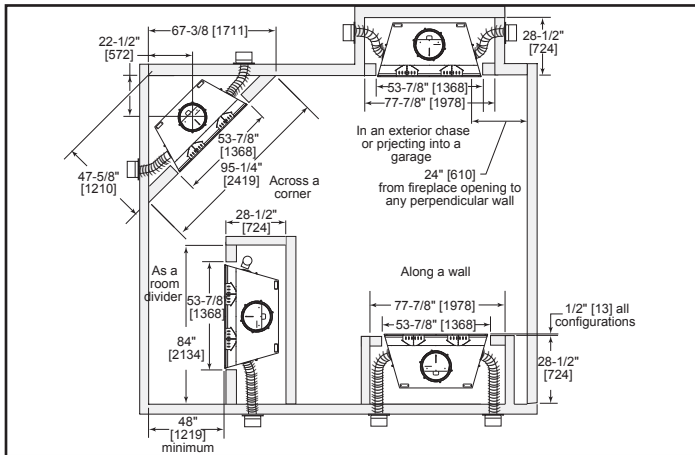


Left Side View

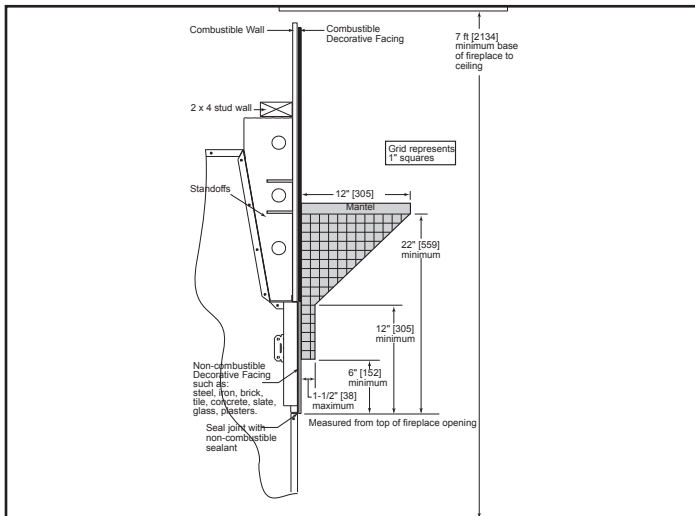


Right Side View

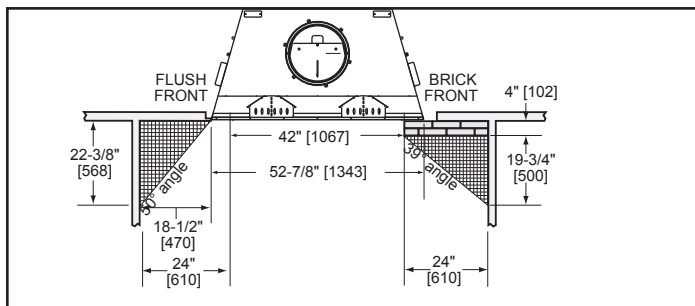
APPLIANCE LOCATION



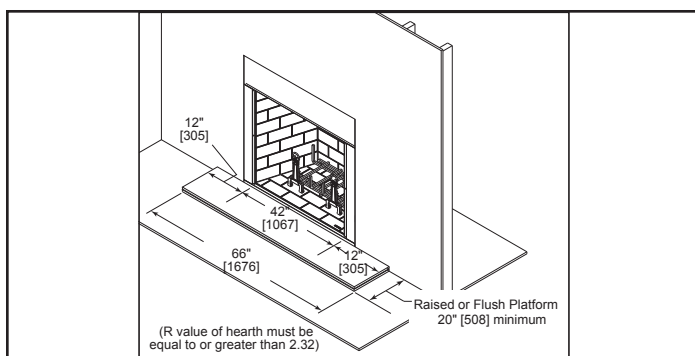
MANTEL PROJECTIONS



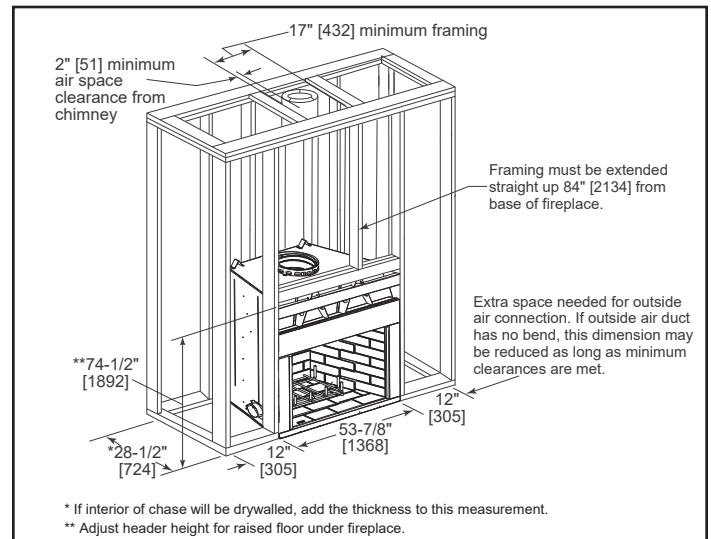
MANTEL LEG/WALL PROJECTIONS



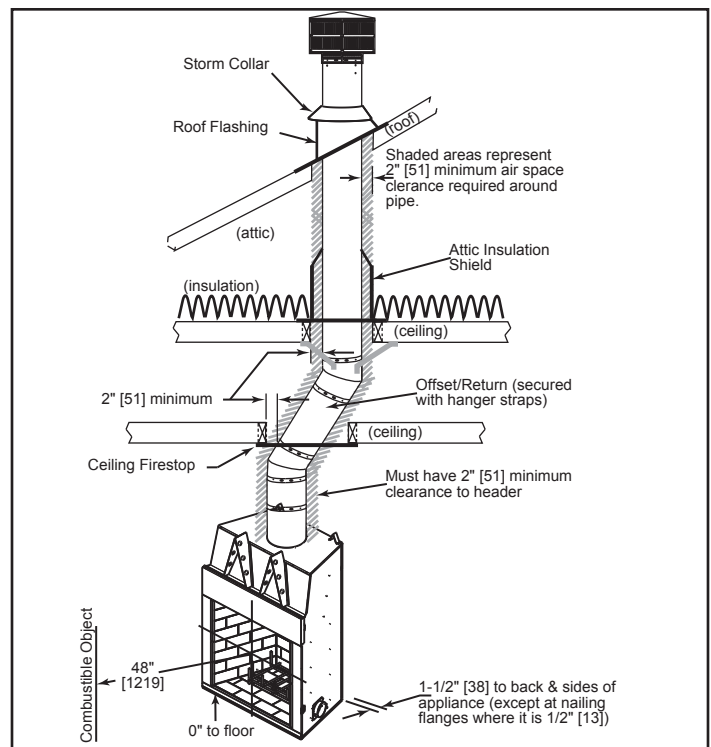
HEARTH EXTENSIONS



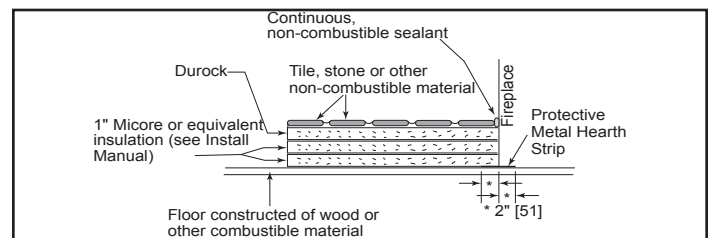
FRAMING DIMENSIONS



CLEARANCES TO COMBUSTIBLES



HEARTH EXTENSION CONSTRUCTION



PRODUCT LISTING CODES

US	UL 127
----	--------



Product information provided is not complete and is subject to change without notice. Product installation must adhere strictly to instructions accompanying product to avoid risk of fire and potential injury.

Additional information can be found online at www.heatlitor.com.