

**MAJESTIC**

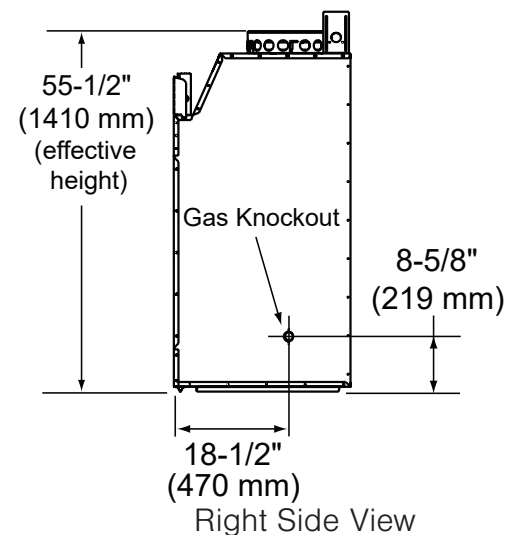
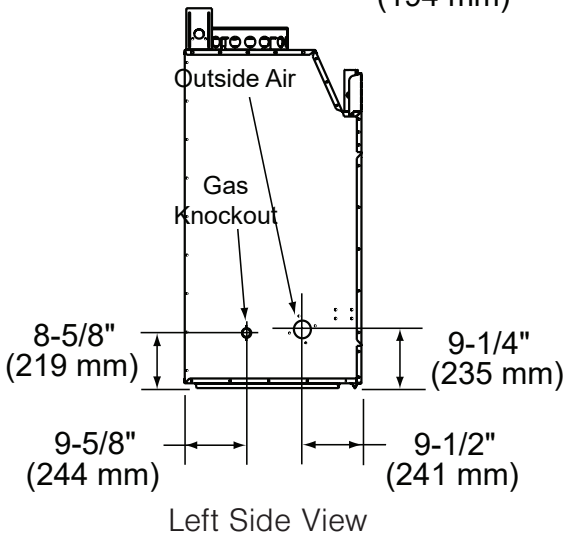
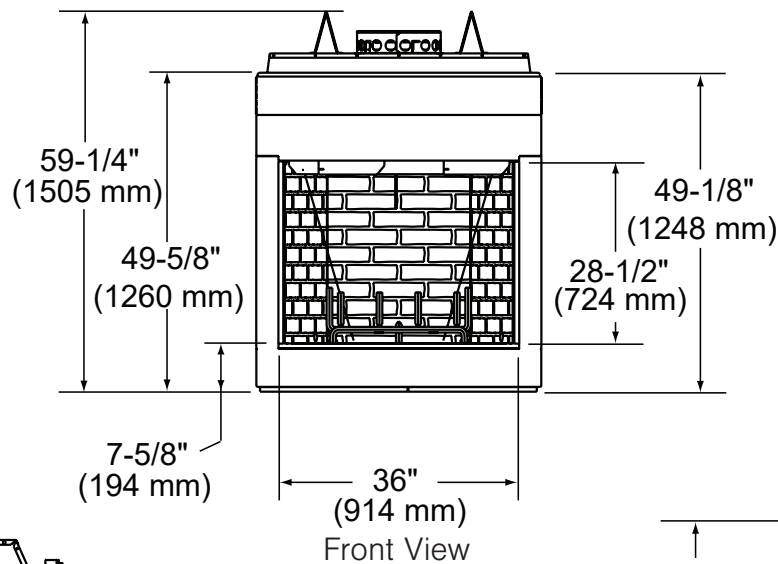
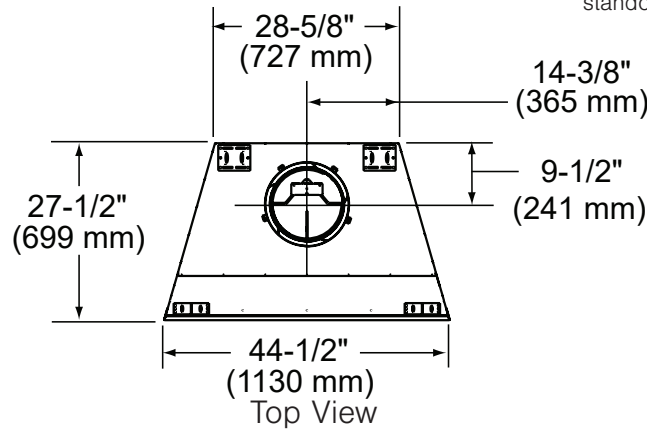
**Biltmore**  
36" Wood Fireplace

Scan QR code for installation manual for final dimensions and requirements.

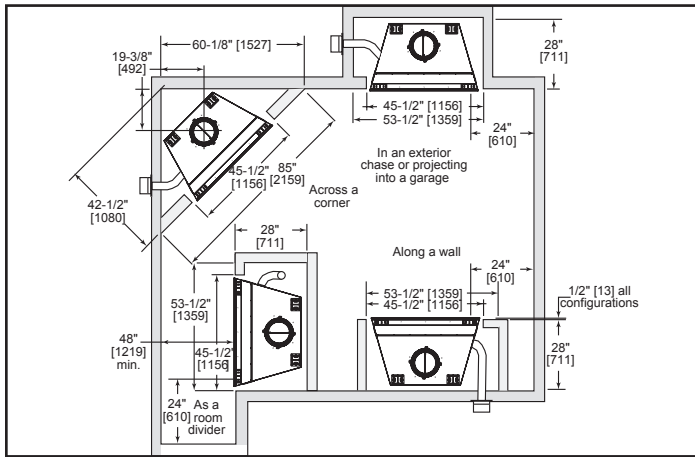


MODEL	FRONT WIDTH		BACK WIDTH		HEIGHT		DEPTH		FIREBOX OPENING
	Actual	Framing	Actual	Framing	Actual	Framing	Actual	Framing	
BILT36	44-1/2"	45-1/2"	28-5/8"	45-1/2"	59-1/4"	59-3/4"	27-1/2"	28"	36" x 28-1/2"

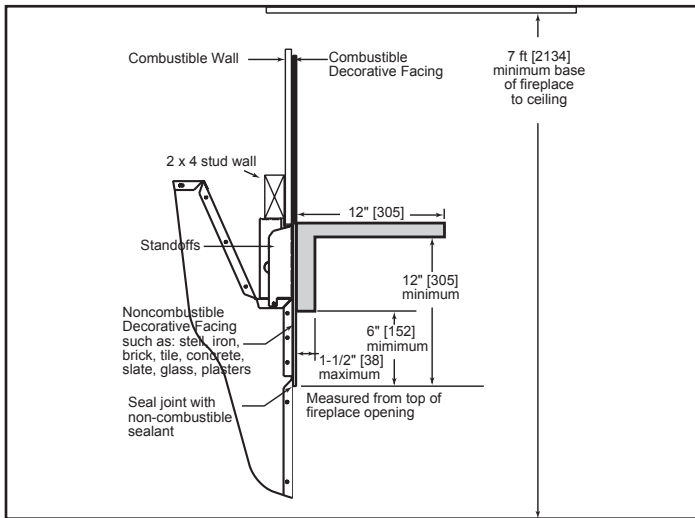
\* Framing must be filled in to top of front standoff after unit is installed.



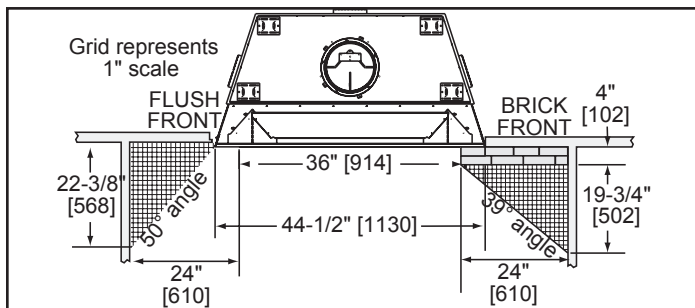
APPLIANCE LOCATION



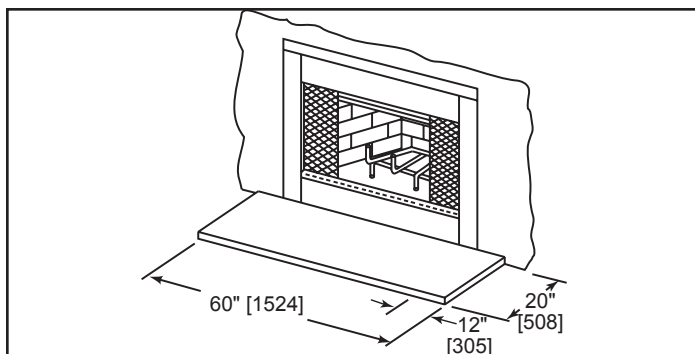
MANTEL PROJECTIONS



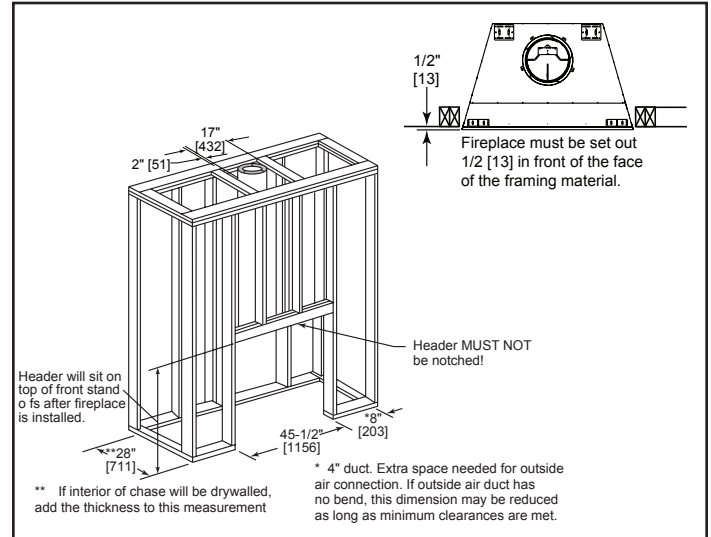
MANTEL LEG/WALL PROJECTIONS



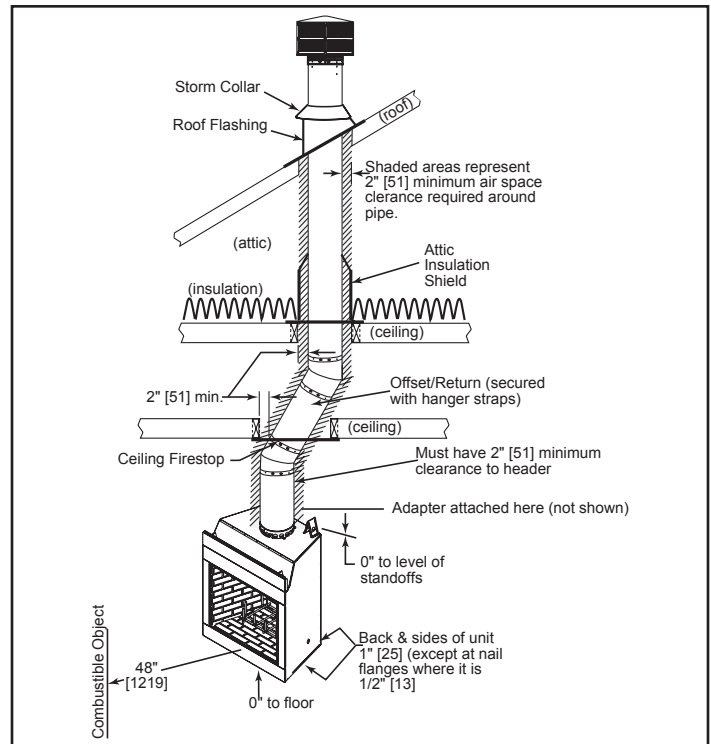
HEARTH EXTENSIONS



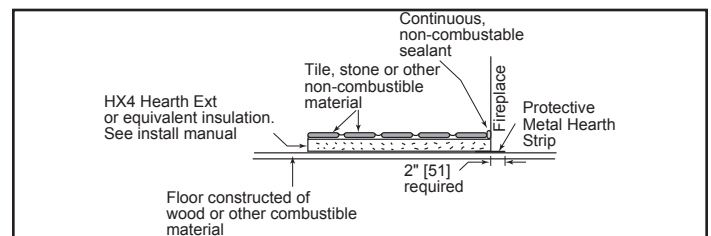
FRAMING DIMENSIONS



CLEARANCES TO COMBUSTIBLES



HEARTH EXTENSION CONSTRUCTION



PRODUCT LISTING CODES

US	UL 127
CAN	ULC-S610

Product information provided is not complete and is subject to change without notice. Product installation must adhere strictly to instructions accompanying product to avoid risk of fire and potential injury.

Additional information can be found online at [www.majesticproducts.com](http://www.majesticproducts.com)

