



LOVE AT FIRST LIGHT

Artisan

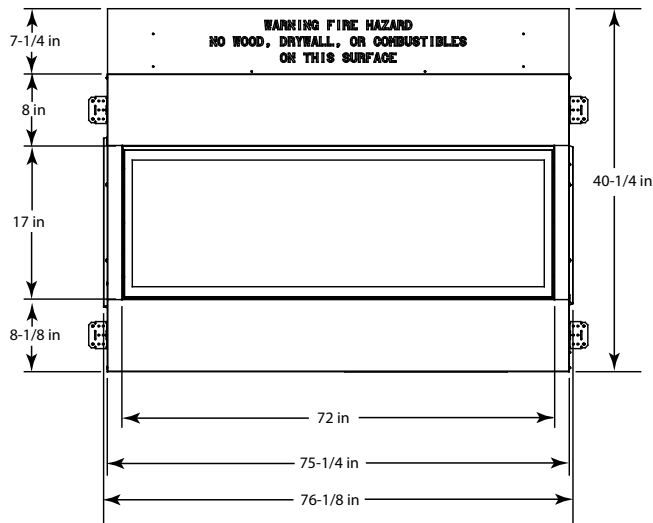
72" Vent Free Gas Fireplace

Scan QR code for installation manual for final dimensions and requirements.



| MODEL | FRONT WIDTH | | BACK WIDTH | | HEIGHT | | DEPTH | | VIEWING AREA |
|--------|-------------|---------|------------|---------|---------|---------|---------|---------|--------------|
| | Actual | Framing | Actual | Framing | Actual | Framing | Actual | Framing | |
| AVFL72 | 72-1/8" | 72-5/8" | 72-1/8" | 72-5/8" | 39-1/2" | 39-3/4" | 13-3/8" | 13-1/8" | 72" x 17" |

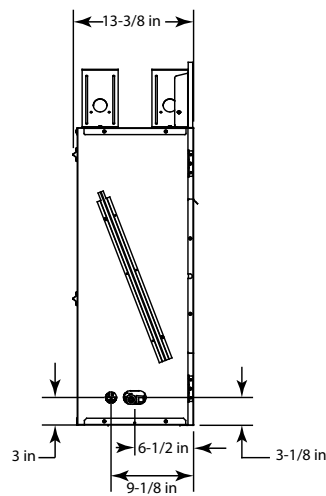
FRONT VIEW



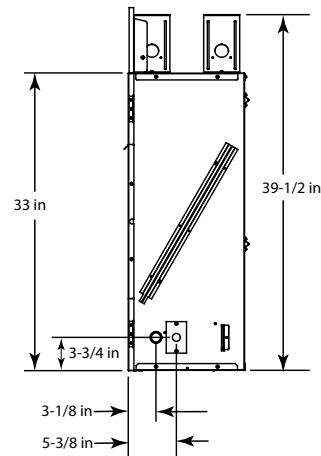
TOP VIEW



LEFT SIDE VIEW



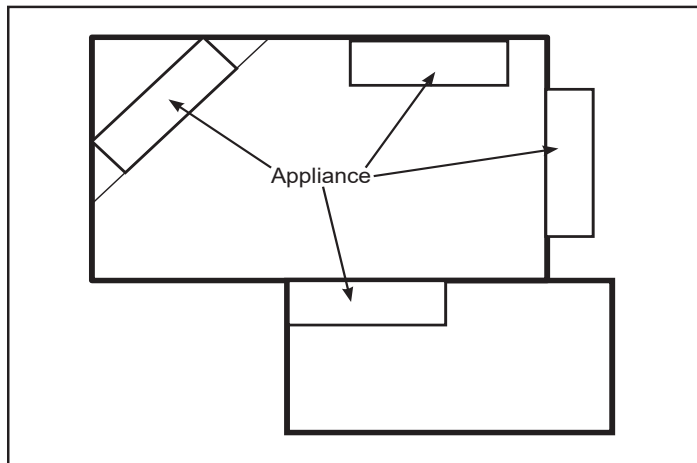
RIGHT SIDE VIEW



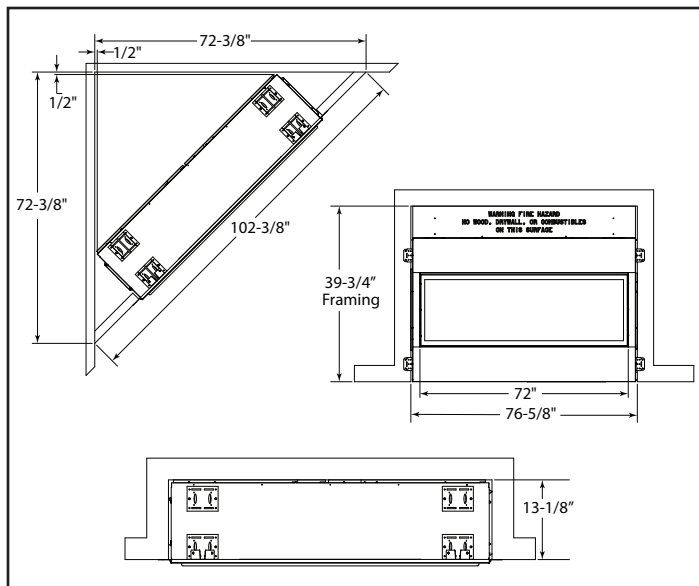
DETERMINE UNIT SIZE

See homeowner's manual for information on determining the proper size unit for the space required.

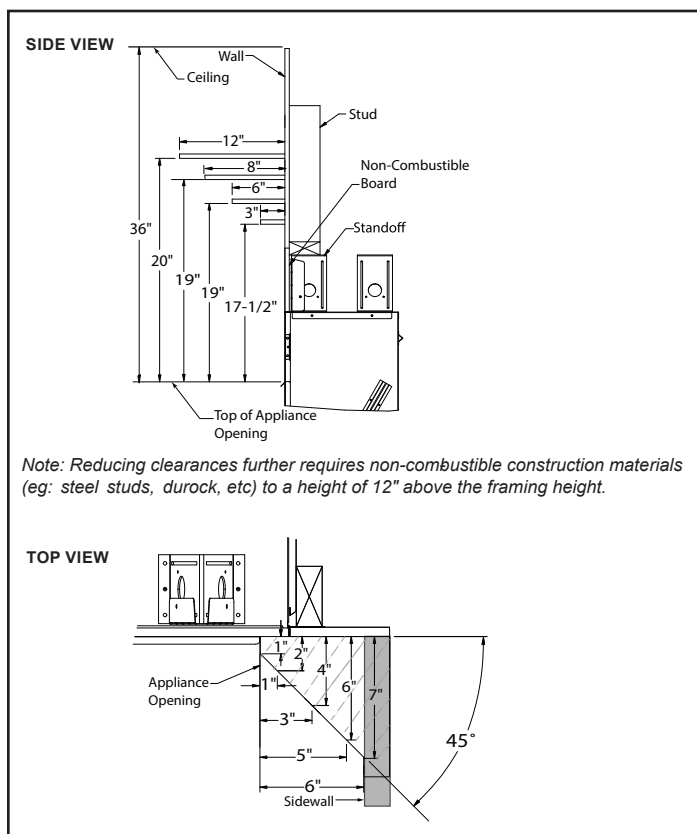
APPLIANCE LOCATIONS



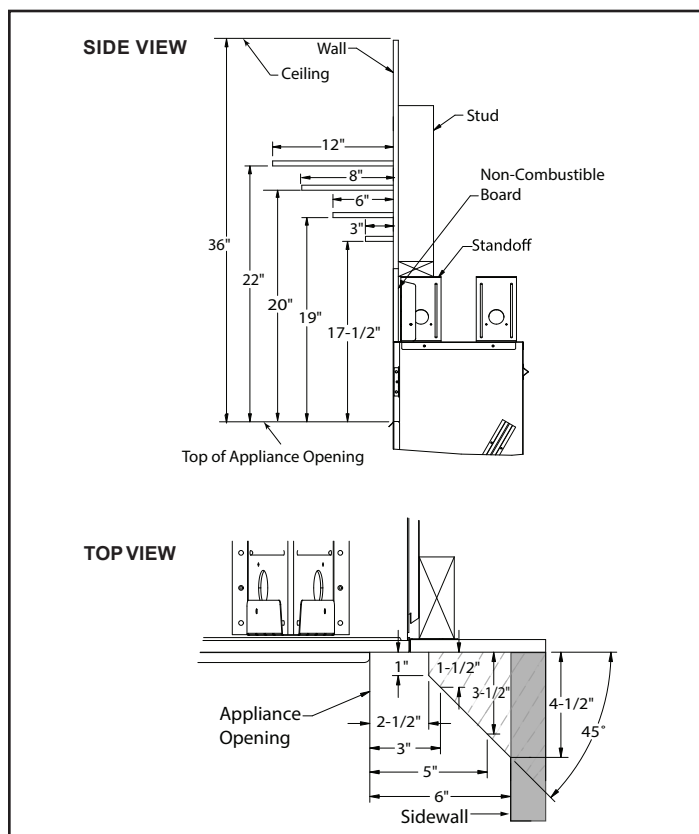
FRAMING DIMENSIONS



NON-COMBUSTIBLE MANTEL CLEARANCES



COMBUSTIBLE MANTEL CLEARANCES



BACK WALL CLEARANCE

The appliance may be placed against a combustible back wall.

FLOOR CLEARANCE

The fireplace may be installed directly on a combustible floor or a raised platform of an appropriate height. Do not place fireplace on carpeting, vinyl, tile or other soft floor coverings. It may, however, be placed on flat wood, plywood, particle board or other hard surfaces. Be sure fireplace rests on a solid continuous floor or platform with appropriate framing for support and so that no cold air can enter from under the firebox.

| | |
|----------------------|--|
| PRODUCT LISTING CODE | |
| US | ANSI Z223.1 / NFPA54 ANSI Z21.11.2:19 |
| US LISTED | UL Certified |

Product information provided is not complete and is subject to change without notice. Product installation must adhere strictly to instructions accompanying product to avoid risk of fire and potential injury.