



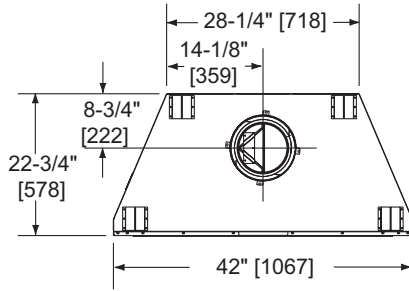
# Accelerator (Radiant)

36" Wood Fireplace

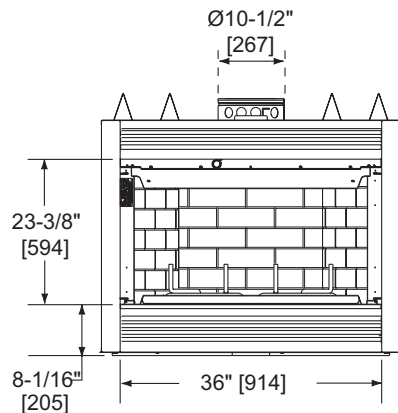
Scan QR code for installation manual for final dimensions and requirements.



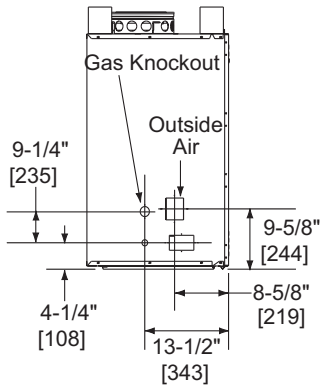
MODEL	FRONT WIDTH		BACK WIDTH		HEIGHT		DEPTH		FIREPLACE OPENING
	Actual	Framing	Actual	Framing	Actual	Framing	Actual	Framing	
A36R	42	43	28-1/4	43	41-1/4	41-1/2	22-3/4	23	36 x 23-3/8



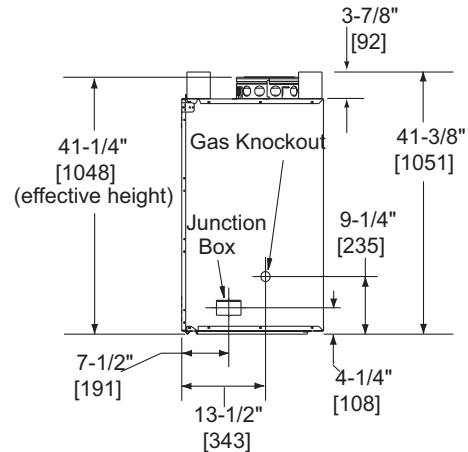
Top View



Front View

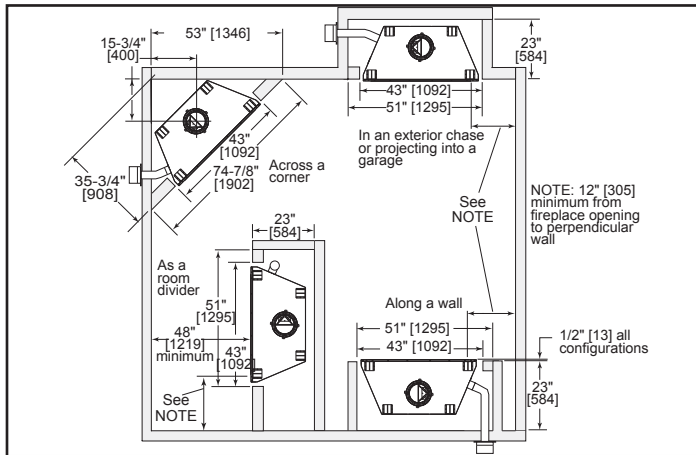


Left Side View

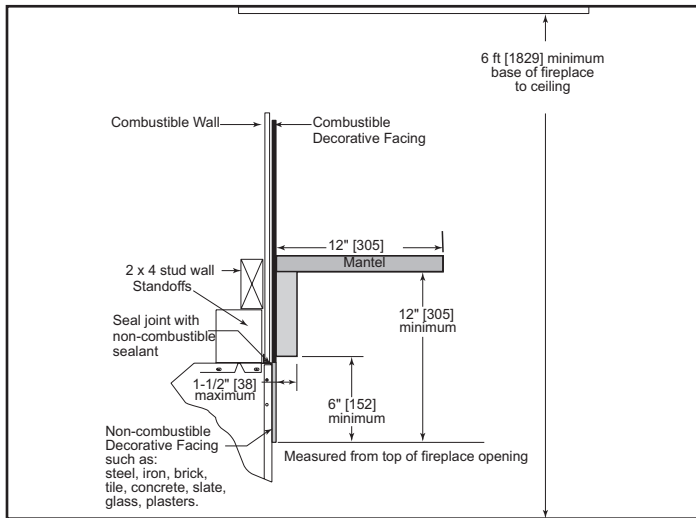


Right Side View

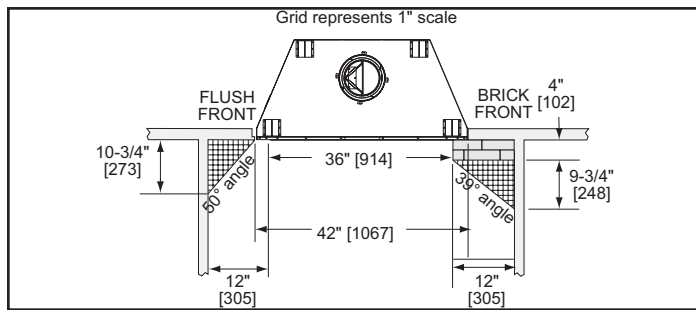
### APPLIANCE LOCATION



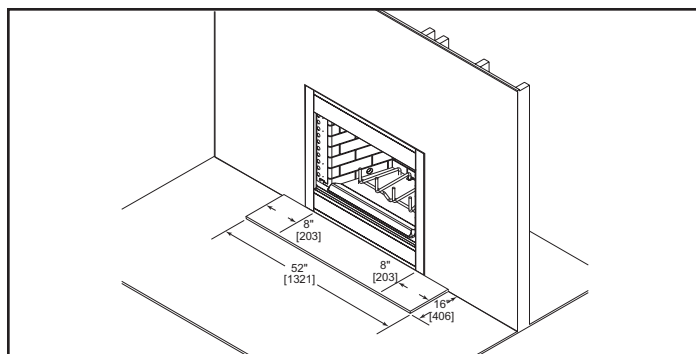
### MANTEL PROJECTIONS



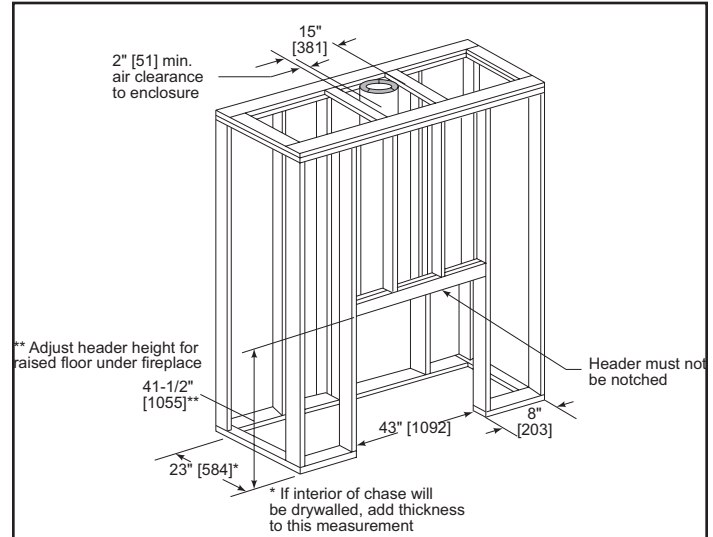
### MANTEL LEG/WALL PROJECTIONS



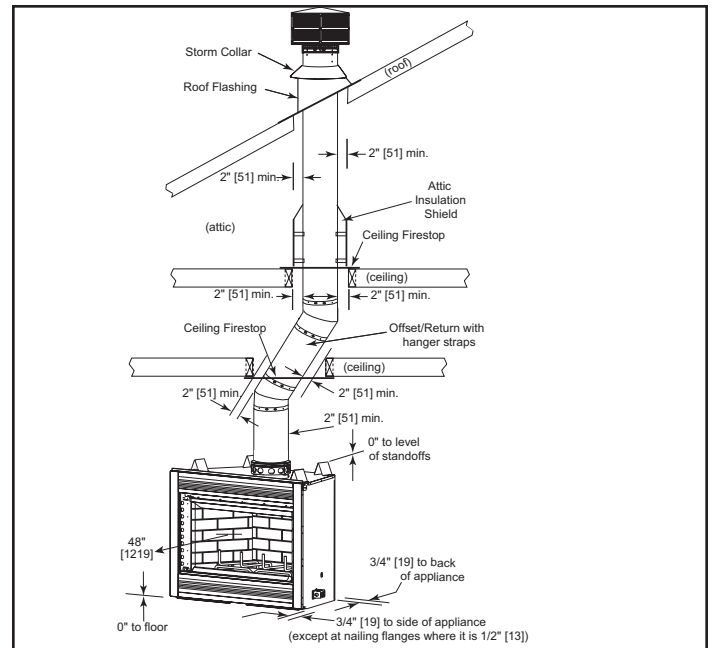
### HEARTH EXTENSIONS



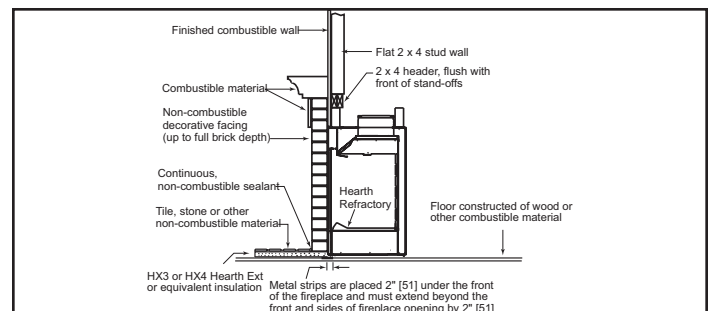
### FRAMING DIMENSIONS



### CLEARANCES TO COMBUSTIBLES



### HEARTH EXTENSION CONSTRUCTION



#### PRODUCT LISTING CODES

US	UL 127
CAN	ULC-S610

Product information provided is not complete and is subject to change without notice. Product installation must adhere strictly to instructions accompanying product to avoid risk of fire and potential injury.

Additional information can be found online at [www.heatilator.com](http://www.heatilator.com).

